



Wall Beds
Page 2



Small Box Locks
Page 95



Casters
Page 7



Cabinet Barn Door Hardware Kit
Page 34

SELBY Furniture Hardware



Undermount Drawer Slides
Page 23



Swivels
Page 118



Storage Beds
Page 5



Catches
Page 20



Shelf Hardware
Page 103

NICE PEOPLE SELLING TOUGH HARDWARE

Wall Bed Mechanisms	1-4	Locks	92-101
Storage Bed Mechanisms	5-6	Cylinder	92-93
Casters	7-11	Glass Door	94
Glides / Levelers	12-14	Mortise	95
Catches	15-22	Surface	96
Magnetic.....	15-19	Miscellaneous.....	97
Ball / Push to Open	20	Table.....	98
Roller	21	Desk Drawer.....	99-100
Elbow / Surface Bolts.....	22	Wardrobe	101
Door / Drawer Slides	23-30	Shelf Hardware & Accessories	102-107
Undermount	23	Picture & Mirror Hangers	108
Ball-Bearing	24-27	Stays & Lid Supports	109-115
Pocket Door	28-29	Swivels	116-120
Roller	30-31	Extension Swivels.....	116-117
Safe	31	Rotating Swivels.....	118-120
Door / Drawer Accessories	32-33	Table Hardware	121-127
Sliding Door Hardware	34-35	Desk Hardware	128-129
Grilles & Retainers	36	Wardrobe Hardware	130-131
Handles and Knobs	37-42	Miscellaneous Hardware	132-135
Hinges	43-71	Boring Bits	134
Concealed	43-50	Screws	135
Non Mortise	51-52	About Selby	136-137
Surface Mounted	53		
Glass Door	54-57		
Pivot	58-60		
Specialty.....	61-66		
Piano.....	67		
Butt.....	68		
Leg / Table	69-70		
Mirror	71		
Kitchen Hardware	72-73		
KD Fittings & Accessories	74-83		
Legs / Leg Hardware	84-85		
Electric Lifts	86-87		
Lighting	88-91		
LED.....	88-90		
Halogen / Incandescent	91		



GHEAVYM10X75
Page 12

Wall Bed Mechanisms

XSMVO

Vertically Descending Wall Bed Mechanisms

Selby Wall Bed Hardware is designed and manufactured to be safe and reliable. The working parts that power the counter balance mechanism are safely enclosed in a 12 gauge Steel sleeve. Reports of Selby wall beds in service for over 30 years are common. All components and parts of our Pardo system are designed and produced in Europe, exclusively for their designated purpose. Selby's wall bed mechanisms retain their ability to counter the heavy weight of a wall bed platform for life, and the tension can be adjusted for changes in construction materials, replacement mattresses, or seasonal bedding. Platform elevator screws allow for perfect alignment and leveling of platform doors and door reveals.

- Convenient space saving system
- Perfect for the primary or secondary bedroom
- Less expensive than a room addition
- Easy screw-type tension adjustment
- Door leveling and reveal adjustment
- Five year limited warranty against manufacturing defects
- European made, endorsed by the trade
- Vertical opening and horizontal opening models
- Adjustable Tension for finger tip operation
- Concealed mechanism systems save an additional 3.4" of wall space
- Adjust to accommodate various construction materials or mattress and seasonal bedding changes

Selby Furniture Hardware Company does NOT offer cabinetry as shown in literature or on our website. We recommend independent custom cabinet makers.

Complete documentation and support is available through our many local distributors, Selby representatives, and on the Internet at: www.selbybed.com

Cabinet depth from 14"
Suitable for all sizes and weights of mattresses



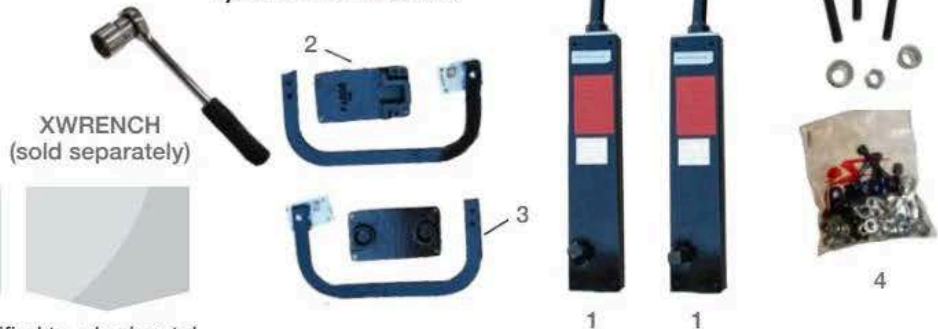
XSMVO exposed wall bed mechanism
Mattress and cabinet not included

Vertical Opening

Part #	Suggested Bed Size	Lbs / Kg*	Mount
XSMVO3950I	Twin/Single	110/50	Concealed
XSMVO3950X	Twin/Single	110/50	Exposed
XSMVO5475I	Double/Full	165/75	Concealed
XSMVO5475X	Double/Full	165/75	Exposed
XSMVO54110I	Queen	240/110	Concealed
XSMVO54110X	Queen	240/110	Exposed
XWRENCH	For adjusting bed tension (sold separately)		

XSMVO Wall Bed Kit

- 1) Adjustable counter balance mechanisms
- 2) Pivot mounting plates
- 3) Pivoting legs
- 4) Hardware fasteners



XSMHO

Horizontal Descending Wall Bed Mechanisms

This design is the same as XSMVO above but modified to a horizontal-opening mechanism where taller cabinets are not desired. The adjustable counter balance mechanisms fasten to the sides of the platform and fit into brackets mounted onto the sidewalls of the cabinet.

XSMHO90 (39" twin)
XSMHO140 (54" double)
Available for exposed or concealed mountings.
Special order: **TABLOFLEX** curved beech wood slats

Horizontal Opening

Part #	Lbs / Kg *	Mount
XSMHO90I	110 / 50	Concealed
XSMHO90X	110 / 50	Exposed
XSMHO140I	165 / 75	Concealed
XSMHO140X	165 / 75	Exposed

* Max combined weight of door, frame, and mattress

Pardo systems are contract standard, tested to 10,000 cycles (30 years of every night use) and come complete with a 5 year limited warranty against manufacturing defects. Pardo wall bed mechanisms are used as a benchmark by the new European standards for safety and reliability.

All Selby counter balanced bed mechanisms are tested to survive 10,000 continuous open-close cycles. Warrantied against manufacturing defects for five years!

XCCAVOBT

Cabinet Wall Bed With Auto Footboard

Counter-balanced mechanism mounts inside of cabinet, not fastened to the floor of the room.

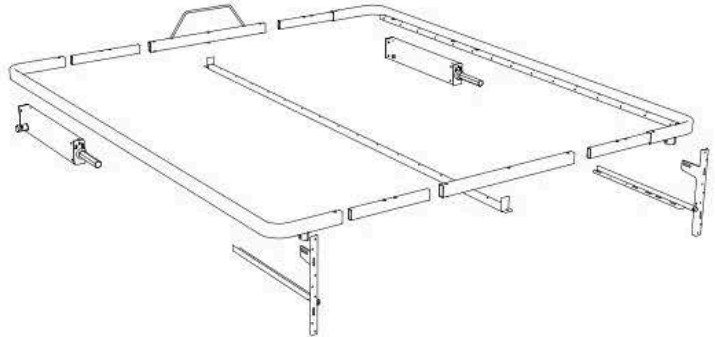
Tension adjustable according to mattress weight. Footboard opens automatically as the bed is lowered.

Featherweight-balanced. Easy tension adjustment, easy installation. Flexibility to use plywood panels or your own wooden slats as mattress support.

Space-saver! Cabinet from only 14" deep!
Self-contained inside cabinet, not bolted to the floor!

Available for mattress sizes: Single, Double, Queen, and King
Vertical or Horizontal opening!
Heavy-weight Steel construction for heavy use!

NOW AVAILABLE!
Knock Down versions
for easy shipping!



Part #	Opening Type	Dimensions	Lbs / Kg	Bed Size
XCCAVOBT99	Vertical	39" x 75"	110 / 50	Single
XCCAVOBT140	Vertical	54" x 75"	165 / 75	Double
XCCAVOBT150	Vertical	60" x 80"	240 / 110	Queen
XCCAVOBT190	Vertical	78 1/2" x 82 1/2"	240 / 110	King
XCCAHOBT99	Horizontal	39" x 75"	110 / 50	Single
XCCAHOBT140	Horizontal	54" x 75"	165 / 75	Double



XCCMVOBT

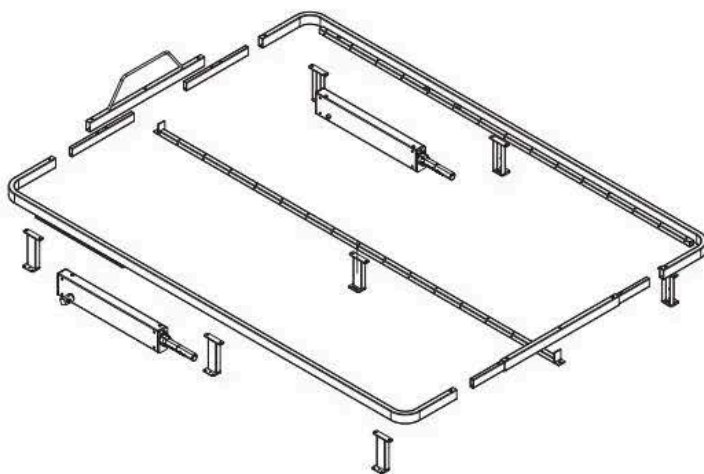
Cabinet Wall Bed With Manual Foot

The bed with the manual foot is designed to have a single, full-height panel door attached to the base of the bed. The panel can be adjusted to ensure uniform door reveals. The door panel may be finished to flat panel, 2 panel, 6 panel, recessed or raised panel designs. The CM Wall Bed has an adjustable mechanism for a safe, light and easy lifting action. The leg sits inside the cabinet when folded away, but when in use the leg is manually folded out over the foot-end of the door and sits on the underside to support the bed when in the down position.

- Steel bed frame
- Flexibility to use plywood panels or your own wooden slats as mattress support
- Counter-balance springs enclosed in patented adjustable mechanism unit
- Weightless, safe lifting action
- Space-saver! Cabinet from only 14" deep!
- Contemporary European design
- More convenient than a guest house

This system can be mounted in a cabinet or BETWEEN two cabinets with a bridge.

Perfect for closet and modified stock cabinetry.



Part #	Opening Type	Dimensions	Lbs / Kg	Bed Size
XCCMVOBT99	Vertical	39" x 75"	110 / 50	Single
XCCMVOBT140	Vertical	54" x 75"	165 / 75	Double
XCCMVOBT150	Vertical	60" x 80"	240 / 110	Queen
XCCMVOBT190	Vertical	78 1/2" x 82 1/2"	240 / 110	King



XCEVNT

Descending Wall Beds • For Use Behind Bi Fold Doors

Full Steel frame with premounted TABLOFLEX beech support slats. Mounts to inside sides of cabinet independent of the doors. Also used in wall recesses and closets. Cabinet depth only 15¾"! Support foot extends AUTOMATICALLY when bed is lowered. Easy to install and use! Excellent sleeping! Available for side mounting or floor mounting with "U" shaped support. **Complete instructions for cabinetry and mounting.**



Part #	Dimensions and Description	Bed Size
XCDVNT98	39" x 75" Bed TABLOFLEX Split	Twin
XCDVNT138	54" x 75" Bed TABLOFLEX Split	Double
XCDVNT150	60" x 80" Bed TABLOFLEX Split	Queen
XCEVNT99SPT	39" x 75" Bed TABLOFLEX W/U Support	Twin
XCEVNT138	54" x 75" Bed TABLOFLEX W/U Support	Double
XCEVNT150	60" x 80" Bed TABLOFLEX W/U Support	Queen

Selby doesn't supply cabinets and shelves for the bed mechanisms, but we sell almost everything you need to build them.

K74

Bed Rail Fasteners (See Page 83)



X2633LEDBED

Bed Light Kit (See page 90)



K280LGZ

Rapid Corner Joints (Patented) (See page 81)



K2020

Taper Connectors (See Page 83)



KD271

Super Rigid Corner Joint Fasteners (See Page 83)



K6510011

Extra Heavy Corner Joints (See page 82)



X22400

Selby's Storage Bed Mechanisms

A complete line of gas spring bed storage mechanisms available as individual sets with preset weight capacities.



Part #	Length	Lift
X2240140	3'	88 lbs
X2240150	3'	110 lbs
X22401S	3'	165 lbs
X22400S	4'	209 lbs
X22402S	5'	239 lbs

3' units can be mounted for side or end opening.

Turn wasted space into valued secure storage with the Selby platform bed lift system. We offer an extensive line of mechanisms and repair parts. Perfect for storing seasonal bedding, clothing and sporting goods under beds of all common sizes. Choose a mechanism with a weight rating to equal the weight of your platform and mattress combined. The mechanism opens with a lateral movement away from the headboard or wall. Selby's storage bed mechanism for side or end bed lift is a storage solution.



X8000

Steel Bed Frames With Lift Mechanisms And Wood Slats

The complete storage bed solution includes our popular storage bed mechanisms with complete mattress support. Available in single, double, queen, and king sizes.

Easy to assemble.

Steel Black Powder Coated frame with supplied with Wood slats.



Part #	Opening Type	Lift	Dimensions	Bed Size
X8001	Side	88 lbs	39" x 75"	Single
X8003	End	88 lbs	39" x 75"	Single
X8005	End	143 lbs	54" x 75"	Double
X8007	End	154 lbs	60" x 80"	Queen
X8009	End	200 lbs	76" x 80"	King

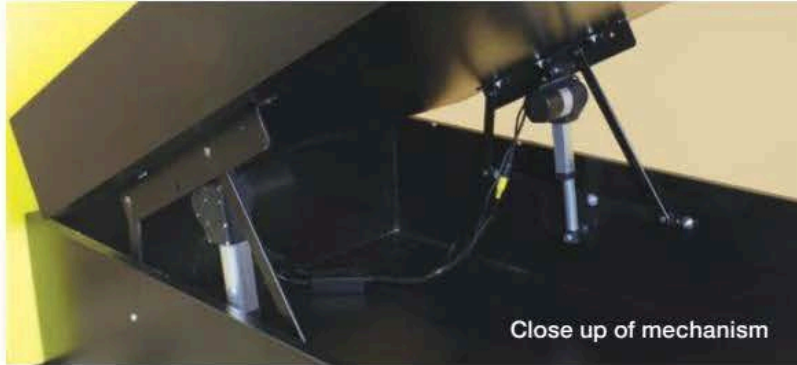
X229000

Motorized Storage Bed Mechanism

We've taken the world's best storage bed mechanism and made it even better. We've added two electric actuators and a wired push button control and now the storage bed is easy and effortless to operate. The actuators have a vertical force of 600 lbs.

The mechanism can support mattresses from single to king size and everything in between. It is easy to install and comes with step by step instructions.

The mechanism provides a variety of options for storage. For residential, there is space for seasonal clothing, hunting, fishing or camping gear, or anything else that will fit. For hospitality, it is an ideal place to store luggage when not in use or needed.



Close up of mechanism



X229300

2 Position Bed Mechanism

We've taken our standard storage bed mechanism and raised it to a whole new level. In addition to being able to access everything under the mattress, with a simple tug, the mattress is elevated flat and at hip height so changing the linens is no longer a chore. This allows for easy access to all four sides of the mattress. The bed will then return to its sleeping position just smoothly and seamlessly.

It is a perfect solution for individuals with back issues. It is also ideal for the hospitality industry as a labor-saving measure for the housekeeping staff.

The mechanism can support a mattress and platform up to 300 lbs. It is easy to install and comes with step by step instructions.



CGRY / CSKA Twin Wheel Casters

Hi-TEK and Skate Wheel Casters

Gray Polyurethane tread on gray wheel or Molded translucent, clear nylon wheel. Silent, non-marking, durable, fashionable. Steel yoke is Polished Chrome Plated, plate with ball-bearing swivel. With or without toe-action brake. Sold individually.

Part #	OD	Width	Height	Load/Set of 4	Type	Plate	Wheel Color
CGRYTWIN2	2"	2 1/8"	2 13/16"	600 lbs	Non-Brake	2 3/8" sq	Gray
CGRYTWIN2BR	2"	2 1/8"	2 13/16"	600 lbs	Brake	2 3/8" sq	Gray
CSKATWIN2	2"	2 1/8"	2 13/16"	600 lbs	Non-Brake	2 3/8" sq	Clear
CSKATWIN2BR	2"	2 1/8"	2 13/16"	600 lbs	Brake	2 3/8" sq	Clear



CGRYTWIN2



CSKATWIN2BR

CFMF Series

Black/Silver Or Black/Yellow Casters

A versatile contemporary designed double-wheel caster with plastic wheel face. With or without toe-action brake. Sold individually.

Part #	OD	Width	Height	Load/Set of 4	Type	Plate	Color
CFMF25BRSC	2.5"	1 1/2"	3 1/4"	400 lbs	Brake	1 5/8" sq	Black/Silver
CFMF25SC	2.5"	1 1/2"	3 1/4"	400 lbs	Non-Brake	1 5/8" sq	Black/Silver
CFMF3BRSC	3"	1 5/8"	3 7/8"	530 lbs	Brake	1 15/16" sq	Black/Silver
CFMF3SC	3"	1 5/8"	3 7/8"	530 lbs	Non-Brake	1 15/16" sq	Black/Silver
CFMF3BRYS	3"	1 5/8"	3 7/8"	530 lbs	Brake	2 1/2" x 1 5/8"	Black/Yellow
CFMF3YS	3"	1 5/8"	3 7/8"	530 lbs	Non-Brake	2 1/2" x 1 5/8"	Black/Yellow



Black/Silver



Black/Yellow

CDUOHD Series

Contemporary Casters

A versatile, contemporary designed caster with a full range of load capacities and colors. All wheels are Ribbed Nylon-6. Sold in sets of four.

Part #	Wheel Diameter	Width	Mounted Height	Load/Set	Hood	Finishes
CDUOHD40	1 9/16"	1 1/2"	2"	250 lbs	Nylon	A, B
CDUOHD50	2"	1 9/16"	2 1/2"	400 lbs	Nylon	A, B
CDUOHD50Z*	2"	1 3/4"	2 3/8"	800 lbs	All - Metal	B
CDUOHD60Z*	2 3/8"	2"	2 5/8"	1500 lbs	All - Metal	B



*Available on special order
Call for availability of braking option.

Finish Group:
A: Black, White, Brown, Beige or Gray
B: Polished Chrome, Polished Brass or Antique Brass, Black or Brown

Fastenings for insertion into wood or metal at top of page.

Mounted heights are average since fastenings vary in height.

QCASTER601132

75mm Unhooded Twin Wheel Caster

Big Part # for Big Caster!
 Rated at 160 lbs static load per caster with large toe-action brake. Friction ring stem: 11mm diameter by 32mm long. Black Nylon. Sold individually.



CGRYCSTR Series

HI-TEK Casters

Gray Polyurethane tread on black Nylon wheel (other colors on special order). Silent, non-marking, durable. Zinc Plated Steel yoke, and plate with ball-bearing swivel. With or without toe-action brake. Sold individually.

Part #	OD	Width	Height	Load/Set of 4	Type	Plate
CGRYCSTR2	2"	3/4"	2 1/2"	300 lbs	Non-Brake	1 5/8" sq
CGRYCSTRBR2	2"	3/4"	2 1/2"	300 lbs	Brake	1 5/8" sq
CGRYCSTR3	3"	7/8"	3 7/8"	320 lbs	Non-Brake	2 3/8" sq
CGRYCSTRBR3	3"	7/8"	3 7/8"	320 lbs	Brake	2 3/8" sq
CGRYCSTR4	4"	1"	4 7/8"	440 lbs	Non-Brake	2 5/8" sq
CGRYCSTRBR4	4"	1"	4 7/8"	440 lbs	Brake	2 5/8" sq
CGRYCSTR5	5"	1 1/4"	6 3/8"	550 lbs	Non-Brake	3 5/8" x 3"
CGRYCSTRBR5	5"	1 1/4"	6 3/8"	550 lbs	Brake	3 5/8" x 3"
CGRYCSTR5FIXED	A non-swivel no brake-version of the 5" caster					



2" -3" - 4"



5"

CSKATCSTR Series

Skate Wheel Casters

Molded, translucent, clear Nylon wheel (Pastel Tints on special order). Silent, non-marking, durable, fashionable. Steel yoke Polished Chrome Plated, and plate with ball-bearing swivel. With or without toe-action brake. Sold individually.

Rounded Wheel

Part #	OD	Width	Height	Load/Set of 4	Type	Plate
CSKATCSTR2	2"	13/16"	2 1/2"	350 lbs	Non-Brake	1 5/8" sq
CSKATCSTRBR2	2"	13/16"	2 1/2"	350 lbs	Brake	1 5/8" sq
CSKATCSTR3	3"	15/16"	3 7/8"	440 lbs	Non-Brake	2 3/8" sq
CSKATCSTRBR3	3"	15/16"	3 7/8"	440 lbs	Brake	2 3/8" sq



Rounded Wheel

Flat Wheel

Part #	OD	Width	Height	Load/Set of 4	Type	Plate
CFLSKAT25C	2.5"	7/8"	3"	350 lbs	Non-Brake	2" sq
CFLSKAT25BRC	2.5"	7/8"	3"	350 lbs	Brake	2" sq
CFLSKAT3C	3"	1"	4"	440 lbs	Non-Brake	2 3/8" sq
CFLSKAT3BRC	3"	1"	4"	440 lbs	Brake	2 3/8" sq
CFLSKAT4C	4"	1"	5"	520 lbs	Non-Brake	2 3/8" sq
CFLSKAT4BRC	4"	1"	5"	520 lbs	Brake	2 3/8" sq



Flat Wheel

CFL / CWV Series
Wood Casters

Solid Beechwood Wheels. Non-marking, Polyethylene sound-deadening tread. Steel yoke Polished Chrome Plated, and plate with ball-bearing swivel. With or without toe-action brake. Available in concave and flat wheel profiles. Rounded without brake also available in Satin Chrome Finish. Sold individually.

Part #	OD	Width	Height	Load/Set of 4	Type	Plate	Wheel Profile
CFLWOOD25BRK	2.5"	13/16"	2 7/8"	350 lbs	Brake	2" sq	Flat - Double Tread
CFLWOOD25K	2.5"	13/16"	2 7/8"	350 lbs	Non-Brake	2" sq	Flat - Double Tread
CFLWOOD3BRK	3"	15/16"	3 7/8"	440 lbs	Brake	2 3/8" sq	Flat - Double Tread
CFLWOOD3K	3"	15/16"	3 7/8"	440 lbs	Non-Brake	2 3/8" sq	Flat - Double Tread
CWV50BRAKE	2"	7/8"	2 1/2"	350 lbs	Brake	1 3/8" sq	Rounded - Single Tread
CWV50CASTER	2"	7/8"	2 1/2"	350 lbs	Non-Brake	1 3/8" sq	Rounded - Single Tread
CWV75BRAKE	3"	1"	3 1/2"	440 lbs	Brake	2 3/8" sq	Rounded - Single Tread
CWV75CASTER	3"	1"	3 1/2"	440 lbs	Non-Brake	2 3/8" sq	Rounded - Single Tread



Flat



Rounded

CAFR Series
Aluminum Faced Casters

Non-marking polyethylene black tread. With or without toe-action brake. All new modern designed caster with full metal wheel face. Sold individually.

Part #	OD	Width	Height	Load/Set of 4	Type	Plate	Finish
CAFR3BBRN	3"	15/16"	3 13/16"	400 lbs	Brake	2 3/8" sq	Brushed Stainless Steel
CAFR3BN	3"	15/16"	3 13/16"	400 lbs	Non-Brake	2 3/8" sq	Brushed Stainless Steel
CAFR3BRSC	3"	15/16"	3 13/16"	400 lbs	Brake	2 3/8" sq	Satin Anodized Silver
CAFR3SC	3"	15/16"	3 13/16"	400 lbs	Non-Brake	2 3/8" sq	Satin Anodized Silver



Brushed Stainless Steel



Satin Anodized Silver

CAX Series
Aluminum Spoked Casters

Sporty Aluminum spoked caster with non-marking polyethylene tread. Steel yoke and ball-bearing swivel plate. With or without toe-action brake. Sold individually.

Part #	OD	Width	Height	Load/Set of 4	Type	Plate	Finish
CAX3BRSC	3"	7/8"	3 13/16"	400 lbs	Brake	2 3/8" sq	Satin Chrome
CAX3SC	3"	7/8"	3 13/16"	400 lbs	Non-Brake	2 3/8" sq	Satin Chrome



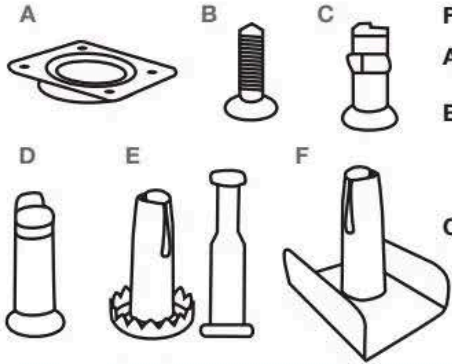
C400 Series

Monarch Hard Rubber Ball Casters

Non-marking hard Rubber Ball casters with ball-bearing raceways especially suited to wood, linoleum, tile and other hard flooring. Black wheel with Steel hood in Polished Brass, Polished Chrome or Antique Brass Finishes. Sold in sets of four.

Part #	Wheel Diameter	Mounted Height	Load/Set
C400	1 5/8"	2 3/8"	300 lbs
C405	2"	2 3/4"	400 lbs

Fastenings A, B, E, and F are stocked



FASTENINGS

- A** Square plate
1 1/2" x 1 1/2"
- B** Threaded stem
1/4 - 20 x 1"
5/16 - 18 x 1"
3/8 - 16 x 3/4"
- C** Snap ring stem
11mm x 1"
11mm x 7/8"
- D** Snap ring stem
10mm x 1 1/4"
10mm x 1"
- E** Grip neck socket with stem
- F** Bracket socket with stem to fit 3/4" or 1" wood thickness



C4051P
Brass Plated with
Square Plate

QJS2D

2" Ball Casters - Antique Bronze - Grip Neck Stem and Sockets

Wheel size: 2"
75 pound capacity per caster
Grip neck stem size: 5/16 diameter; 1 1/2" length.

Hole required for socket: 3/8 diameter and 1 5/8 deep
Mounting Height: 2 3/16
Sold in sets of four.



C1253U

Upholstered Chair And Sofa Frame Casters

Fastens in the bottom corners of the frames, eliminates the need for corner blocks. Steel bracket (.085 Steel) strengthens frame. Wheel diameter: 1 5/8", effective height: 1 3/16"
Capacity: 290 lbs per set
Wheel is Black Phenolic Thermoset Plastic. Sold in sets of four.



CREF800

Double Appliance Casters

Load rated at 800 lbs per set of 4. This has been designed for rolling refrigerators, dishwashers and other heavy appliances in the home and office. Two 7/8" OD x 1 1/2" long white propylene wheels are mounted in tandem and riveted to a heavy duty Zinc Plated Steel chassis.

Length: 1 3/4" x Width: 1 3/4" x
Mounting height: 1 7/16"
Threaded stem: 5/16 - 18 x 7/8" long with hex nut
Sold in sets of four.



QC400173Z

Bed Box Casters

Mount to side of box to slide under bed for storage.

Wheel diameter is 1 3/8".
9/16" tall x 2 1/2" wide x 7/8" deep.
Sold individually.



T907P

Solid Brass Round Socket Caster

2½" high

Openings:

¾", 7⁄8", 1", 1 1⁄8", 1 ¼", 1 3⁄8" and 1 ½"

Sold in sets of 4 casters.



T1321P

Solid Brass Claw-Foot Toe Socket Caster

3¾" long and 4" high.

Openings:

¾", 1", 1 1⁄8", 1 ¼", 1 3⁄8", and 1 ½"

Sold in sets of 4 casters.



T1324P

Solid Brass Square Toe Socket Caster

Openings:

¾", 1", 1 1⁄8", 1 ¼", 1 3⁄8", and 1 ½"

Sold in sets of 4 casters.



T929P

Solid Brass Square Socket Caster

Openings:

¾", 7⁄8", 1", 1 1⁄8", 1 3⁄8" and 1 ½"

Sold in sets of 4 casters.



Hand Polished / Lacquered Brass is the standard finish on the above items. Other finishes available on special order.

GHEAVYM10X75

Super Adjusting Glide

Specially engineered for extra heavyweight cabinets.
 May be used externally or internally.
 Recess in top of bolt makes adjustment easy under full load with Allen wrench.
 Cold-Rolled Steel, .079 gauge.
 M10 x 3" Steel Bolt.
 Pivoting Steel base is capped in polyethylene for carpet protection.
 2 1/8" wide x 2 1/16" high, 1 3/8" projection
 Rated for an 800 lb load per set of 4.
 Sold individually.
 Steel with Zinc Plated Finish



SNIBKT516

Caster Bracket

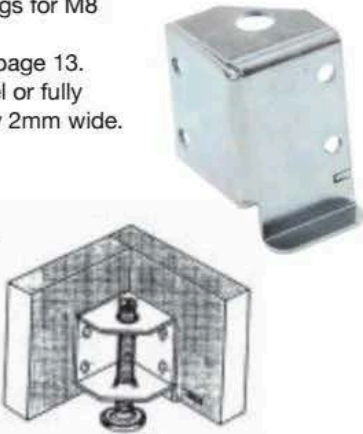
Heavy-duty (.078 gauge) Cold-Rolled Steel to strengthen 90° corner joints. Built-in 5/16 - 18 threaded nut accommodates casters or glides with threaded stems. Screw holes for #8 or #9 RH screws. Also available: 1/4 - 20 or 3/8 - 16 thread on special order. Steel with Zinc Plated Finish



G1502Z

Corner Height Adjustment Fitting

Heavy-duty height adjustment fittings for M8 super-levelers.
 For **GBOLTM8** super levelers, see page 13.
 May be used underneath side panel or fully concealed in a groove 5/16" deep by 2mm wide.
 1 1/4" x 1 1/4" square x 2" high.
 4 screw holes for #9 RH screws.
 .079 Steel.
 Sold in pairs, left and right handed.
 Zinc Plated Finish



G16308Z

Slab Plate Height Adjustment Fitting

40mm x 20mm (1 9/16" x 1 3/16").
 .079 Steel. M8 thread. Holes for #9 RH screws.
 Can be used with **GBOLTM8** super-leveler (see page 13).
 Steel with Zinc Plated Finish



G450516X2

Heavy Duty Adjustable Glide

1 3/8" diameter non-skid pad.
 2" long screw with 5/16 - 18 threaded stem.
 Adjusting nut on base.
 Nickel Plated Finish



QG0742P

Lev-X Self-Leveling Glide

Glide activation weight is 5 lbs and has a 7/32" total adjustability on uneven surfaces.
 Glide measures 1 1/8" height from base to top (before compression).
 Diameter is 1 5/16".
 Compression tested for 25,000 cycles, (1 full cycle equaling up and down).
 Weight load per glide: up to 150 lbs.



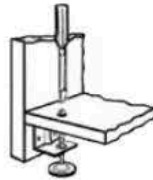
GBOLTM8

Slotted-Top Swivel-Base Adjusters

Height adjustable with screwdriver from inside of cabinet after installed. Base pivots and swivels to conform to floor. All-Steel with polyethylene cover on bottom to protect carpeting. Hole covers available in White, Brown or Black to fit $\frac{3}{8}$ " hole. (Hole covers not included, see page 80)

M8 thread ($\frac{5}{16}$ " diameter) in 6 lengths:

- GBOLTM8X60U** 2½" long
- GBOLTM8X75U** 3" long
- GBOLTM8X90U** 3½" long
- GBOLTM8X100U** 4" long
- GBOLTM8X116U** 4½" long
- GBOLTM8X150** 6" long



FASTENINGS

- GDBLANGLM8U** U shaped angle of $\frac{1}{8}$ " Steel for wall mount 1½" high x 17/16" wide x 1½" deep for #10 screws
- GSINGANGLM8U** Right angle bracket for wall mount ¾" high x 1½" wide x 1¼" deep for #9 screws

All Zinc Plated

GF118 / GFS118

Steel Screw Glides With Hex Nut

A rigid non-swivel glide with incorporated hex nut for adjustability with a wrench. Threaded stem 1" long.

- GF11814** White or Black Nylon, ¼ - 20 thread
- GF118516** White or Black Nylon, 5/16 - 18 thread
- GFS11814** Brass or Nickel cover with White or Black Nylon Base, ¼ - 20 thread
- GFS118516** Brass or Nickel cover with White or Black Nylon Base, 5/16 - 18 thread

Special order: 3/8 - 16 threaded stem.



GB Series

Steel Shell Silent Glides

Rigid adjustable glides with molded cushion insulation. Nickel Plated Steel Shell.

- G6BON** 7/8" diameter base ¼ - 20 x 1" screw
- G12BON** 1 1/16" diameter base ¼ - 20 x 1" screw
- G206BON** 1 ¼" diameter base ¼ - 20 x 1" screw
- GQQ72N** 1 ¼" diameter base 5/16 - 18 x 1 ½" screw

Other sizes available on special order.

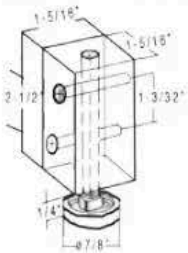


GBLOCKX80U

Height Adjustable Glide With Pre-Drilled Wood Block

Pre-drilled wood block with pre-inserted adjustable 3 1/8" glide, ready to screw on to the inside corners of the furniture. Holes are drilled for #9 flat head screws. Height is adjustable both from the bottom with a wrench or through the top with a flat head screwdriver.

Glide base is covered with a Nylon carpet protector.



See page 77
For Propeller Nuts and
3 Prong T-Nuts

G33

Rigid Polyethylene Adjustable Glides

Ribbed-edge polyethylene glides. 1" long x ¼ - 20 Steel screw. Neutral Tan color.

- G33124** 5/8" diameter base
- G33130** 3/4" diameter base
- G33131** 7/8" diameter base
- G33132** 1" diameter base
- G33133** 1 1/8" diameter base



G33

Nylon Nail-On Floor Glides

Durable, slidable, and easy to apply to chair, table or cabinet legs. Oval or flat-head, Tan color.

Diameter	Oval Head	Flat Head	Head Thickness	Nail Length
5/8"	G3373B	G3391B	1/4"	1 1/16"
3/4"	G3374B	G3392B	1/4"	1 1/16"
7/8"	G3375B	G3393B	1/4"	1 1/16"
1"	----	G3395B	1/4"	1 1/16"

G3391, also stocked in White and Black
G3392, also stocked in Black



G53867

Twin Prong Nail Glide

Heavy-duty glide for easy slidability. Easy nail-in held strong with two pins. 1/4" tall x 1 5/16" long x 5/8" deep. Pin length: 5/8". Brown or White Nylon



P460WEDGEB

Breakaway Leveling Wedge

Black Nylon Wedge with 8 section snap-off units from 1/16" to 5/16" height. 13/16" wide x 4" long.



G5051615S

Adjustable Glide

Base is stationary while housing turns the threaded stem. Very low friction and very low profile. Adjustable under full weight. Max load: 400 lbs per set of 4. Base: 9/16" high x 2" diameter. Screw: 1 1/2" long with a 5/16" - 18 threaded stem. 1 3/8" adjustable range. Durable non-marking base, corrosive resistant, Black Polypropylene. Threaded stem is Steel Zinc Plated. Sold by the each.

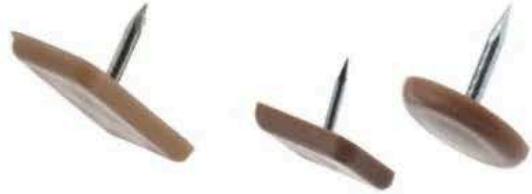


G33

Nylon Nail-On Sliding Tacks

Self-lubricating tack sliders to adjust the level and ease the sliding action of drawers or pull-out shelves. Tan color.

Part #	Shape	Size	Thickness	Nail
G3316B	Flat Rectangle	1/2" x 3/4"	3/32"	1/16" diameter x 5/16" long
G3368B	Flat Rectangle	1/2" x 3/4"	1/8"	1/16" diameter x 5/16" long
G3317B	Flat Round	1/2" diameter	3/32"	1/16" diameter x 5/16" long
G3370B	Oval Round	1/2" diameter	1/4"	1/16" diameter x 1 1/16" long



GZN

Steel Molded Cushion Silent Glides

Nickel Plated Steel shell with molded cushion insulation nail-on glides. Nail: 3/32" x 13/16" long

- G4ZNN 3/4" diameter x 3/8" thick
- G6ZNN 7/8" diameter x 3/8" thick
- G12ZNN 1 1/16" diameter x 1/2" thick
- G18NN 1 1/4" diameter x 1/2" thick



MHM76

Strong Double Magnetic Catch (9 Or 18 LB Pull)

Separate twin 9 lb magnets may be used individually for two separate doors with individual strikes (illustrated) or on one large door with single strike (available on request).
Slotted screw holes for ± 2 mm adjustment.
 $\frac{1}{2}$ " high x $2\frac{1}{4}$ " wide x $\frac{13}{16}$ " deep. Holes are 2" c/c.
Brown or White Nylon.



MGP71 / MGP72

Industry-Standard Compact Size Magnets

Economically priced most popular magnet.
Slotted holes for ± 2.5 mm for front-to-back adjustment.
 $\frac{9}{16}$ " high x $1\frac{3}{4}$ " wide x $\frac{9}{16}$ " deep. Holes are $1\frac{1}{2}$ " c/c.
Brown or Black Nylon with Bronze Plated strike
White Nylon with Zinc Plated strike.

MGP71 (9 lb pull)
MGP72 (13 lb pull)



MGP71LGSTRK

MXB4B

High-Rise Magnet (10 LB Pull)

$\frac{7}{32}$ " extra thick base compensates for excessive gap on inset doors.
Oversize slotted holes adjust ± 3 mm.
 $\frac{19}{32}$ " high x $1\frac{7}{8}$ " wide x $\frac{3}{4}$ " deep. Holes are $\frac{1}{2}$ " c/c.
Brown Nylon with oval strike.



M1293P

Triple Fixed Magnet (30 LB Pull)

Heavy-duty riveted construction for special application where extra-strong pull is required.
May be used with 2 single strikes or one large strike.
Catch: $\frac{1}{4}$ " high x 3" wide x $\frac{3}{4}$ " deep. Holes are 2" c/c.
Large strike: 3" wide x $\frac{3}{4}$ " high
Small strikes: 1" wide x $\frac{3}{4}$ " high
Screws included.
Steel, Brass Plated.



M125

Neodymium Magnets

Neodymium Magnets are the world's strongest disc magnets. Our neodymium magnets are designed and manufactured to meet stringent quality standards using the latest technology. 3 layer, triple coated for durability and protection against corrosion. Magnetized throughout the thickness.
Approximate pull force is 20 lbs.
 $\frac{1}{2}$ " diameter with countersunk screw hole for a #6 flathead screw. $\frac{1}{4}$ " height.

M125L Antique Bronze Plated
M125N Bright Nickel Plated

A screw can be used as a strike plate if needed, otherwise please refer to our selection of magnetic catch strike plates on page 19.



MH73MVB

Drive-In Adjustable Alnico Magnet (10 LB Pull)

Central magnet screws in and out as needed.
Press-fits into $\frac{3}{8}$ " hole.
 $\frac{7}{8}$ " high x $\frac{7}{8}$ " wide x $\frac{15}{16}$ " deep
Brown Nylon with nail-on strike.
White available on special order.



MGP75LGSTRK

Extra-High Single Magnet (9 LB Rating)

Swivel magnet. 9 lb pull, raised $\frac{3}{8}$ " above mounting surface. $\frac{1}{2}$ " long slots 32mm apart. $1\frac{1}{16}$ " high x $1\frac{5}{8}$ " wide x $1\frac{3}{16}$ " deep. Brown Nylon with Bronze Plated Steel strike. Strike: $\frac{7}{8}$ " high x $1\frac{3}{16}$ " wide. Black Nylon with Bronze Plated Steel strike and other colors available on special order.



MGP7664

Extra-High Double Magnet (9 Or 18 LB Rating)

Two 9 lb pull swivel magnets are raised $\frac{3}{8}$ " above mounting surface to accommodate gaps between door and frame and make location of strike easier. Adjustment slots are on 32mm multiples (64mm apart) and are oversize ($\frac{1}{2}$ " long). May be used on two separate doors or as one 18 lb magnet with a long strike on heavy doors (longer strike available on request). $1\frac{1}{16}$ " high x $2\frac{3}{4}$ " wide x $1\frac{3}{16}$ " deep. Standard strikes: $\frac{7}{8}$ " high x $1\frac{3}{16}$ " wide. OPTIONAL: $2\frac{1}{2}$ " long double strike. Dark Brown Nylon with 2 Bronze Plated strikes. Black Nylon with Bronze Plated Steel strike and White Nylon with Zinc Plated strike are available on special order.



M910

Nylon Housing Magnet (16 LB Rating)

Nylon housing encases a 16 lb magnet and provides a $\frac{1}{2}$ " front-to-back adjustability. Holes on 32mm centers (#4 RH screws not included). Large single hole strike $\frac{7}{8}$ " high x $1\frac{3}{16}$ " wide included. Brown with Bronze Plated strike. White with Zinc Plated strike. Black housing available on special order.



M299B

Face-Mounting Magnet (13 LB Rating)

Permanent Alnico non-swivel magnet for frontal mounting with right-angle adjustable strike. 13 lb pull, light Brown Nylon. $\frac{3}{4}$ " high x $1\frac{1}{8}$ " wide x $\frac{3}{4}$ " deep, with $\frac{3}{8}$ " adjustment slots on $\frac{7}{8}$ " (22mm) centers. Strike is $\frac{3}{4}$ " wide x $1\frac{15}{16}$ " long with holes $1\frac{1}{2}$ " (38mm) apart. Statuary Bronze Finish on Steel.



M1294B

Economy Magnet (9 LB Rating)

One of the most widely used magnets. 9 lb pull swivel magnet, raised $\frac{1}{8}$ " above mounting surface. $\frac{1}{2}$ " high x $2\frac{1}{16}$ " wide x $1\frac{1}{16}$ " deep. Adjustment slots $\frac{1}{2}$ " long on $1\frac{5}{8}$ " (41mm) centers. Dark Brown Nylon. Standard rectangular strike $\frac{7}{8}$ " high x $1\frac{3}{16}$ " wide. Statuary Bronze Finish.



MSUPEC12

Super-Strong "Twin" Magnet (26 LB Rating)



Magnet size: $\frac{9}{16}$ " high x $2\frac{15}{16}$ " wide x $\frac{3}{4}$ " deep.
Permanent ferrite magnets with guaranteed square-fit pole pieces to ensure maximum contact and pull. Supplied with one long strike plate (two small strike plates available upon request).

Base Thickness: $\frac{3}{16}$ "
Screw holes are $2\frac{1}{2}$ " (64mm) c/c.
Impact resistant Molded Polyurethane in Brown or White.



MGP262

Thin Magnet (9 LB Rating)



Permanent 9 lb magnet with polished pole-contacts.
Only $\frac{3}{8}$ " thick but strong enough to hold two doors.
Black, Brown or White Polyethylene case with Nickel or Bronze Steel strike.
 $\frac{9}{16}$ " high x $1\frac{13}{16}$ " wide x $\frac{3}{8}$ " deep
Base Thickness: $\frac{3}{16}$ "
Screw holes are $1\frac{1}{2}$ " c/c.
Oval strike plate $1\frac{5}{16}$ " wide x $\frac{1}{2}$ " high.
Packed one per bag, includes screws and strike.



M2761

Long John "Twin" Magnet (9 Or 18 LB Rating)



Ideal for catching double doors with one magnet.
Two 9 lb magnets are set $\frac{7}{8}$ " apart with separate strike plates.
Poles are floating for maximum contact. $\frac{7}{8}$ " separation between magnets.
 $\frac{9}{15}$ " high x $3\frac{13}{16}$ " wide x $\frac{3}{4}$ " deep.
Base Thickness: $\frac{5}{32}$ "
Screw holes are $3\frac{7}{16}$ " c/c.
Brown Polyethylene.



M233 / M233U

Aluminum Housed Magnetic Catch And Strike



Ideal for use with medicine cabinets or any sheet metal material.
 $\frac{7}{16}$ " high x $1\frac{1}{16}$ " wide x $\frac{15}{16}$ " deep.
Steel Strike Plate is $\frac{3}{8}$ " tall x $1\frac{3}{16}$ " wide x $\frac{3}{4}$ " deep.



Push to open! Push to keep closed!

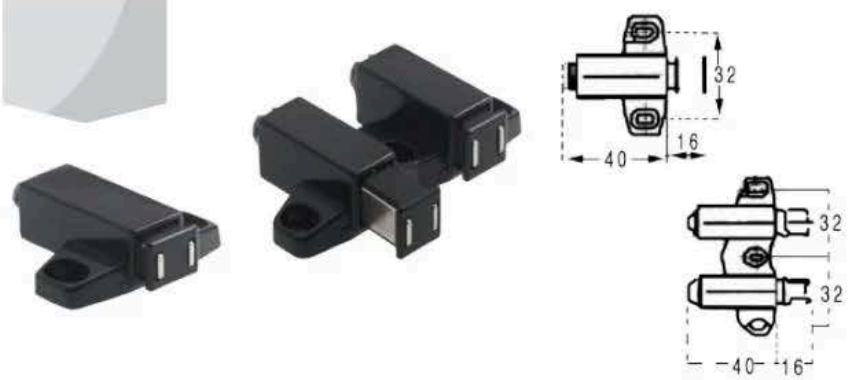
For **Wood Doors** with screw-on or nail-in strike plates.
For **Glass Doors** with clip-on strike plates.
(Refer to selection of strikes on page 19)

MSQUARE

Square Profile Push Catches

Strong spring ejects $\frac{3}{8}$ ".
Catch is $\frac{3}{4}$ " high.
Holes are on 32mm centers.
Black Rigid Nylon.

M548SQUARE Single Push Catch
M559SQUARE Double Push Catch

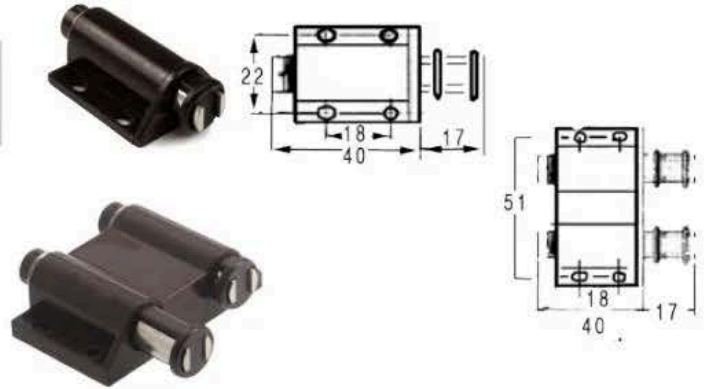


MMAGNALTCH / M559

Round Profile Push Catches

Extra-strong spring and extra-strong magnet.
Ejects $\frac{5}{8}$ ". Catch is $\frac{5}{8}$ " high. Elongated adjustment holes.
Brown, White or Black Nylon.

MMAGNALTCH Round Profile **Single** Push Catch
M559 Round Profile **Double** Push Catch



MD25S

Concealed Magnetic Push Catch

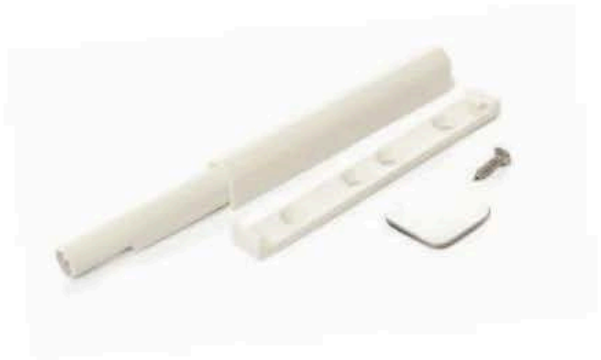
Installs into hole in stile $1\frac{1}{2}$ " deep x $\frac{19}{32}$ " (15mm) diameter.
Strong spring ejects $\frac{3}{8}$ ". Front plate on $\frac{15}{16}$ " centers.
Black Nylon.



MC213020W

Impulse Push Catch

Pushing action magnetic catch.
Catch: $\frac{7}{16}$ " high x $\frac{3}{8}$ " wide x $3\frac{1}{4}$ " long closed and $4\frac{13}{16}$ " long open.
Bracket: $3\frac{1}{4}$ " long x $\frac{3}{8}$ " wide.
Strike Plate: $\frac{3}{4}$ " square.
Screws included.
White ABS.



Drill And Drive Cylinder Magnets

Magnets To Drive Into Drilled Holes

Nylon-housed permanent magnets that drive into drilled holes in wood. Maximum pulling power in minimum space. Screw-on strike standard. Drive-in strike optional (see MNAILSTRK below).



Part #	Colors	Magnet Force	Face Diameter	Hole Diameter	Overall Length	Hole Depth
MGEMOIS1	Black	4 lbs	3/8"	5/16"	5/8"	3/8"
MGEMOIS2	Black	6 lbs	3/8"	5/16"	19/32"	9/16"
MGEMOIS4	Black	9 lbs	9/16"	15/32"	5/8"	9/16"
M394PB	Brown	13 lbs	17/32"	17/32"	5/8"	19/32"
M394PW	White	13 lbs	17/32"	17/32"	5/8"	19/32"

MC127P

Adjustable Brass-Clad Magnet (12 LB Rating)

Permanent Alnico magnet mounted on a screw base and encased in a Brass sleeve. Insert by pressure into a hole, 14mm diameter x 22mm deep. Magnet adjusts in and out 7mm. For use on industrial and electronic equipment. Length: 7/8", Body Diameter: 9/16", Face Diameter: 5/8", Adjusts: 9/32" Round strike plate included.



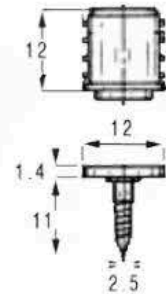
M2732

Round Drive-In Magnet (9 LB Rating)

Mini-sized magnet with a strong 9 lb pull. Permanent Alnico Magnet in a Nylon housing. Only 12mm long (approx 15/32"), fits into a 12mm diameter drilled hole. Provided with a 12mm diameter nail-on drive-in pivoting strike. White or Brown Nylon housing.



Dimensions in mm



Strike Plates For Wood Or Glass Doors

M296STRK
26mm X 12mm

M71STRIKE
30mm X 12mm

M297STRK
30mm X 22mm

MGEMOSTRK
12mm diameter

MNAILSTRK
14mm diameter
3/4" nail length

TK150

MAGNASTRK

(see page 57 for details)



Zinc Plated

Catches

Ball/Push To Open

MKK240

Solid Brass Double-Ball Catches

Adjustable tension double-spring double-ball catches for positive closing action and secure holding. Extruded Brass body and strike with Chrome-Steel balls. Satin Brass or Satin Nickel Finishes.

Part #	Length	Width
MKK240	1 11/16"	5/16"
MKK240A	1 15/16"	3/8"
MKK240B	2 3/8"	15/32"
MKK240C	2 3/4"	1/2"



M12

Bullet Catches

Brass Plated Steel, spring activated bullet catches. 2 sizes with strikes and fixing brads.

M1214P (1/4" diameter)
M1238P (3/8" diameter)
(3/8" also stocked in Nickel Plated Finish).



M230N

Ball-Bearing Catch

Positive-action spring-mounted ball-bearing for smooth closing action. Strike has locating prongs. 3/4" high x 1 1/8" wide with holes 13/16" c/c. All-Steel, Nickel Plated.



MINILATCH

Push To Close, Push To Open

A diminutive catch offering positive closing with a push and easy opening with a push. No handles required. May be installed vertically or horizontally. Case must be level for best operation. Four-way adjustable. 1 1/2" long x 7/16" wide x 1 1/16" high.

MINILATCHBP Polished Brass with Brown Nylon
MINILATCHWN Polished Chrome with White Nylon



MTCHLCHJZ

The Original Tutch-Latch

The originator of the push-to-open, push-to-close concealed catch eliminates the need for exterior pulls or knobs. Positions at side, bottom or under-shelf. Case must be level for best operation. Easy installation with supplied strike locator. 3" long x 1 3/8" wide, holes on 1" centers. Zinc Plated Finish.



Strike Locator

M36FRICT

Double Nylon Roller Catches

Steel housing in 4 finishes with spring-activated Nylon rollers. Adjustment slots on BOTH catch and strike, a Selby innovation. All parts hollow riveted for the most secure assembly. 5/8" high x 1 1/4" wide. Body raised 1/8" off mounting surface. Stocked in Antique Bronze, Bright Brass, Zinc Plated and White Painted Finishes.



M37FRICT

Double Nylon Roller High-Rise Catches

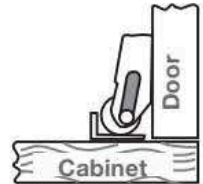
Same as M36FRICT except body is raised to make installation easier on inset doors. 7/8" high x 1 3/4" wide. Body is raised 3/8" off mounting surface. Stocked in Antique Bronze Plated or White Painted Finishes.

M5C

Spring-Mounted Roller Catches

Steel with spring-controlled Nylon roller to engage strike. Built-in door stop. Slotted holes on catch and strike for adjustments on 1" centers. Zinc Plated or Statuary Bronze Finish.

M5CZ Zinc Plated
M5CBRONZE Statuary Bronze Plated



M880B

Positive Closure Friction Catch

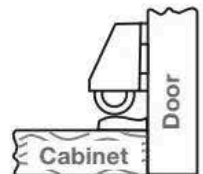
Positive snap-action that locates as it secures the door. For vertical or horizontal use. 5/16" high x 1 3/8" wide x 5/8" deep. Strike adjustable ± 1/8". Stocked in Brown Polyethylene. (White, Black, or Beige available on special order).



MROLLFIX

Single Roller Nylon Catches

Strong and silent with spring-mounted roller to engage the strike. Easy to install. Slotted adjustment holes: 13/16" c/c on strike, 1 1/16" c/c on catch. White or Brown Nylon.



Catches

Elbow Catches/Surface Bolts



M170

"Rooster" Elbow Catches

The Elbow Catch is an economical option for securing one door to the cabinet in double door applications. Can be used on wood or metal doors. Allows for door to lock shut when closed. Requires finger release to open the door.

M170L Bronze Plated

M170Z Zinc Plated



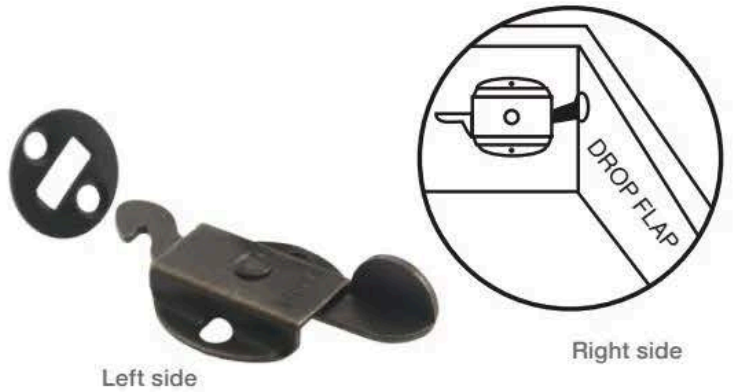
M170SIDE

"Rooster" Catches

All-Steel, spring-activated, positive engagement side-mounted rooster catch, Antique Brass Finish. Mounting holes $1\frac{3}{16}$ " apart. Strike supplied is $1\frac{3}{16}$ " OD with holes $\frac{17}{32}$ " on centers. Handed, Left or Right.

M170SIDELHD Left side

M170SIDERHD Right side



X516

Solid Brass Surface Bolts

Polished Solid Brass sliding bolts with concealed screw mounting. Packed with both a universal non-mortise strike and a rectangular mortise strike. $\frac{3}{4}$ " wide in 2", 3", 4" and 6" lengths. #5 flat head Brass Plated screws supplied.



M123N

Locking Door Bolt

All-Steel sliding bolt with easy grip lever to engage right-angle strike. Bolt mounts with #5 round head screws. Ideal for breakfront and credenza doors. Can be mounted for top or bottom locking. $2\frac{3}{4}$ " long x $\frac{7}{8}$ " wide. Nickel Plated Finish. Statuary Bronze and Polished Brass Finishes are available on special order.



DC Series
Full Extension Undermount Soft Close Drawer Slides

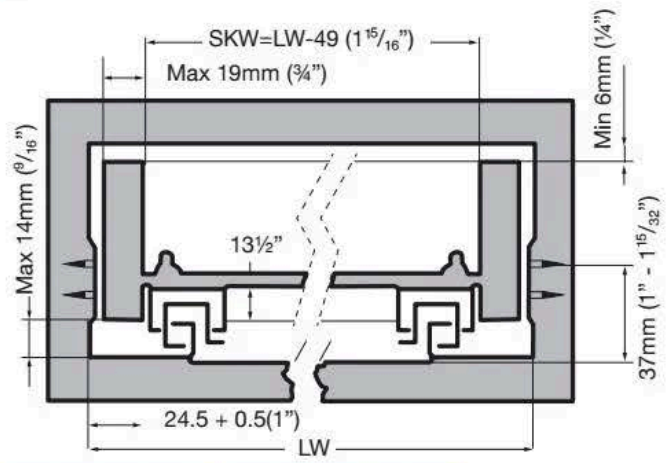
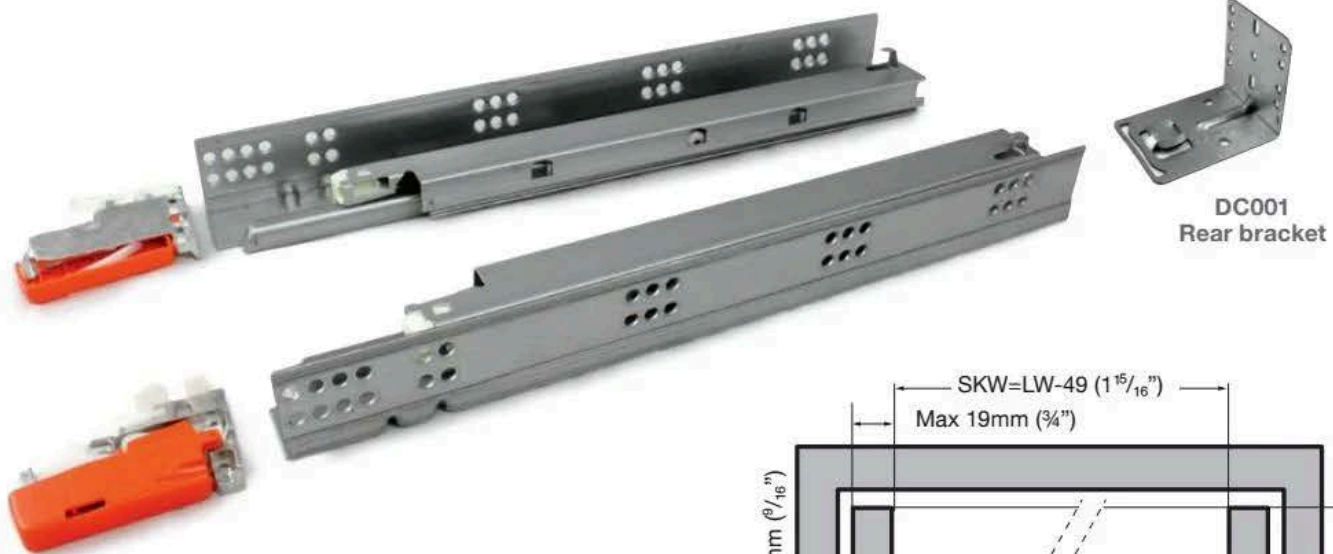
Cabinet member is fastened to sidewall with round head screws. No screws are used on the drawer! A 6mm hole is drilled into the drawer back. The drawer is installed effortlessly by fitting on to the adjustable frontal clips. The frontal pin fastens the drawer for opening and closing while a rear bracket (optional) prevents tipping. Installing or removing the drawer takes just a matter of seconds.

Slides are equipped with spring assist self closing, soft closing action. The drawers finish closing by themselves effortlessly and stay closed.

"Velvet"
... The drawer slide that's like riding on air!

No Steel ball bearings! No noise!
Hidden out of sight underneath drawer.
Movement controlled horizontally and vertically with Nylon rollers.

Low in price. Surprisingly economical!
Rated 55 lbs on 18" length.
Easy Installation
Silent, Smooth



Part #	Drawer Length	Runner Length	Min Cab Depth	Max Sidewall Thickness
DC305	305mm (12")	317mm (12 1/2")	326mm (12 7/8")	19mm (3/4")
DC381	381mm (15")	394mm (15 1/2")	403mm (15 7/8")	19mm (3/4")
DC457	457mm (18")	470mm (18 1/2")	479mm (18 7/8")	19mm (3/4")
DC533	533mm (21")	546mm (21 1/2")	555mm (21 7/8")	19mm (3/4")
DC001	Rear bracket available to fit each of these sizes			

Install front of slide 1/2" from front edge and place screw in the second hole (this is automatically 37mm from the front edge). Rear holes fall automatically into 32mm segments if 32mm boring machines are used!

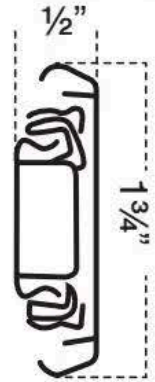
D3010 / D3010SC Series

Full-Extension • Telescope Side-Mounted Drawer Slides

The preferred slide for double file drawers! The perfect slide for many other projects! Only 1/2" thin and 1 3/4" high. This slide carries heavy loads, silently and smoothly. Made of Zinc Plated Rust-Resistant Steel, superior action is guaranteed by double ball-bearing raceways. **Rated at 100 lbs per pair on 18" size.** This slide incorporates positive "anti-bounce back" when closed. Expansion breather tabs ensure perfect fit and adjust for minor variations in drawer widths. Easy drawer insertion and removal, with accessible hole centers on multiples of 32mm.

Available in 2" increments from 10" to 28" lengths. Make drawer 1 1/16" narrower than opening. **Available in Free Closing or Soft Closing.** Other lengths available on special order.

100 lb Rating



Front Trigger Release



Free Closing

Part #	Length	Travel	Height	Width	Stocked Finish
D301010	10"	11"	1 3/4"	1/2"	Black or Zinc
D301012	12"	13"	1 3/4"	1/2"	Black or Zinc
D301014	14"	15"	1 3/4"	1/2"	Black or Zinc
D301016	16"	17"	1 3/4"	1/2"	Black or Zinc
D301018	18"	19"	1 3/4"	1/2"	Black or Zinc
D301020	20"	21"	1 3/4"	1/2"	Black or Zinc
D301022	22"	23"	1 3/4"	1/2"	Black or Zinc
D301024	24"	25"	1 3/4"	1/2"	Black or Zinc
D301026	26"	27"	1 3/4"	1/2"	Black or Zinc
D301028	28"	29"	1 3/4"	1/2"	Black or Zinc
D3010BKT	Rear Mounting Bracket				

Soft Closing

Part #	Length	Travel	Height	Width	Stocked Finish
D3010SC10N	10"	11"	1 3/4"	1/2"	Zinc
D3010SC12N	12"	13"	1 3/4"	1/2"	Zinc
D3010SC14N	14"	15"	1 3/4"	1/2"	Zinc
D3010SC16N	16"	17"	1 3/4"	1/2"	Zinc
D3010SC18N	18"	19"	1 3/4"	1/2"	Zinc
D3010SC20N	20"	21"	1 3/4"	1/2"	Zinc
D3010SC22N	22"	23"	1 3/4"	1/2"	Zinc
D3010SC24N	24"	25"	1 3/4"	1/2"	Zinc
D3010BKT	Rear Mounting Bracket				

DC3015

Full Extension Ball Bearing Drawer Slides

32mm wide x 1/2" side clearance.
Rated at 35 lbs on 18" length. Trigger release.
Zinc Plated

- DC301514N 14"
- DC301516N 16"
- DC301518N 18"

Other lengths available on special order.



DC3500

3/4" Extension Ball Bearing Drawer Slides

35mm wide x 10mm side clearance.
Rated at 50 lbs on 18" length. Trigger release.
Zinc Plated

- DC350014N 14"
- DC350016N 16"
- DC350018N 18"

Other lengths available on special order.



DC3600

Full Extension Ball Bearing Drawer Slides

36mm wide x 1/2" side clearance.
Rated at 50 lbs on 18" length. Trigger release.
Zinc Plated

- DC360012N 12"
- DC360014N 14"
- DC360016N 16"
- DC360018N 18"

Other lengths available on special order.



D8102

Full Extension Drawer Slides

Rated at 150 lbs on 18" length.
1/2" side clearance x 2 1/4" high, 3 sections, non handed.
Quick release triggers allow for easy and fast drawer removal with anti-rebound bumpers.
Stocked in lengths of 16-24".
Stocked in Black Nickel Finish.

Zinc Plated Finish available on special order.
Other lengths available on special order.



DSP8817

Double Action Mini Slides

Only 17mm high x 10mm wide!

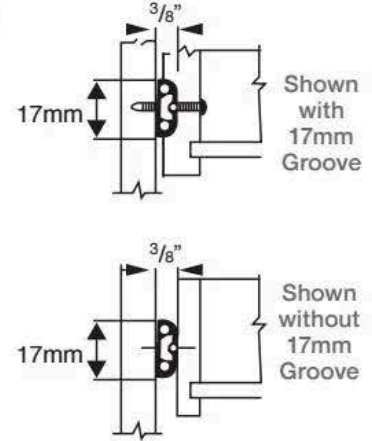
Precision Rolled Steel channels fitted to Steel ball-bearings in a Steel carrier ensure a vibration free, smooth-as-silk rolling action for lighter drawer loads, desk trays, shelves, and computer keyboard pullouts.

Especially preferred for drawers with 17mm side grooves. All holes on 32mm centers. May be attached with wood screws from the outside or with M4 machine screws from the inside into pre-tapped holes.

No lefts or rights, reversible. Travel exceeds length of slide! **Rated at 22 lbs.**



Part #	Drawer Side (Female)	Cabinet Side (Male)	Drawer Length	Length of Travel
DSP8817156	156mm (6 1/8")	150mm (5 7/8")	8 1/2" - 10"	6 1/2"
DSP8817187	187mm (7 3/8")	182mm (7 1/8")	10 1/2" - 13"	8 7/8"
DSP8817219	219mm (8 5/8")	214mm (8 3/8")	13 1/2" - 15"	11 1/2"
DSP8817251	251mm (9 7/8")	246mm (9 5/8")	15 1/2" - 17"	13 3/8"
DSP8817283	283mm (11 1/8")	278mm (10 7/8")	17 1/2" - 20"	16 1/2"
DSP8817310	315mm (12 3/8")	310mm (12 1/4")	20 1/2" - 22 1/2"	19"
DSP8817347	347mm (13 5/8")	342mm (13 1/2")	23" - 25 1/2"	19 1/2"
DSP8817373	379mm (14 15/16")	374mm (14 3/4")	24" - 26 1/2"	21 1/2"
DSP8817450	430mm (16 15/16")	424mm (16 5/8")	26" - 28"	26"



Custom lengths available on special order

D841

Microform Double Action Slides

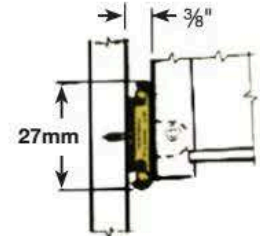
Cabinet member screws to cabinet side. Drawer requires predrilled holes in back and bottom to drop into pins on drawer. Member-easy installation, easy removal! *NO screws needed for drawer insertion!*

Double action provides for short slides to accommodate long drawers.

27mm high with only 3/8" space between drawer and cabinet.

All-Steel ball-bearings on each slide for smooth, controlled rolling.

Rated at 35 lbs.

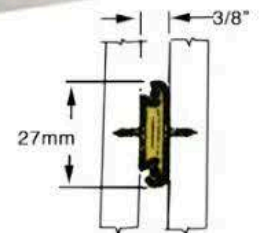


Part #	Slide Length	Drawer Size	Length of Travel	Availability
D84125	9 5/8"	16 5/8"	11 1/4"	Available on Special Order
D84131	12 1/4"	21 5/8"	18 7/8"	Available on Special Order
D84134	13 1/2"	24 1/8"	21 3/8"	Stocked

DSP8800

Side Mounting 27mm Double Action Slides

Similar to the **D841** above but without the pin projections, and with screw holes for side mounting of both members.



Part #	Drawer Side (Female)	Cabinet Side (Male)	Drawer Length	Length of Travel
DSP8800277	277mm (11")	277mm (11")	17"-19"	16 1/2"
DSP8800342	342mm (13 1/2")	342mm (13 1/2")	23"-24 1/2"	19"
DSP8800373	373mm (14 5/8")	373mm (14 5/8")	24"-26 1/2"	21 1/2"

D2090N
Center Mounted Drawer Slides

For bedroom furniture, kitchen cabinets, vanities and office furniture. Mounted underneath the drawer or on the sides, when bottom or rear-wall mounting is required.

Silky-smooth, ultra-quiet operation from precision construction and meticulous attention in assembly.

14"-20" lengths
Rated at 25 lbs on 18" length.
Single-action, Zinc Plated



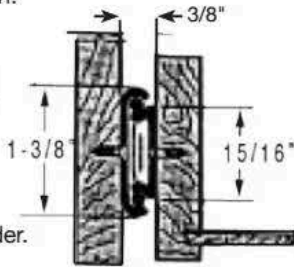
D2090BKT
Snap-in rear bracket (sold separately)
Adjustable 3 ways
Front-to-back: 1 3/4"
Side-to-side: 1 1/4"
Up-and-down: 3/8"

D20
Locking Keyboard Pull-Out Slides

16" deep, extracts 12" to locked position, holding keyboard shelf at a secure latitude. **Rated at 50 lbs.** Release trigger returns keyboard to its original position. All-Steel, self-cleaning ball-bearing construction. Zinc Plated.

Also available with hanging brackets to suspend keyboard under desktop.

D202016N Side mount
D206016N With hanging brackets



Other lengths available on special order.

D202016N



D206016N

DFONO
Turn Table Pull-Out Slides

Steel, ball-bearing assembly for smooth, vibration free operation. Requires 3/4" clearance on each side.

Part #	Inner Length	Outer Length	Travel	Max Load
D13FONO	13"	9"	9"	75 lbs
D15FONO	15"	11"	11"	70 lbs
D16FONO	16"	13"	13"	65 lbs
Black Painted Finishes				



Door And Drawer Slides

Ball-Bearing/Pocket Door



D1563

Pocket Door Slides

Wood stabilizer (1/2" thick, customer supplied) joins the 2 slides and the hinges mount onto the wood stabilizer.
Can be used for inset doors or overlay doors depending on the hinge and mounting plate used.

Provides vertical, horizontal, and lateral adjustments!
No machining required except holes to seat the hinges.
Supplied with mounting plates, hinges and safety rollers.
Overlay doors 3/4" thick. 3/8" coverage of sidewall.
Inset doors are accommodated up to 7/8" thick.

Sizes: 14"-24"

All-Steel ball-bearing construction.
Zinc Plated



D1544

Pocket Door Slides

Smooth sliding with Steel rigidizing stabilizer bar, adjustable 2" in height. 4-position bracket for mounting hinge plates gives 3/4" front-to-back versatility.

Front roller acts as a bumper and protects door from scratches during rotation. No wood machining except drilling two holes in door to receive hinges.

Clearance of 1 5/8" required for door in pocket.
All-Steel, ball-bearing construction.

Sizes 12"-20" with 2 5/8" loss in extraction.
Other sizes available on special order.

For side or overhead doors 3/4"-1" thick.

Supplied with hinges, mounting plates,
Steel stabilizer bar, and safety rollers.
Zinc Plated



Positive stops with catches in both open and closed positions (front and back).
Adjustable span between slides.

D2087

Anti-Sag Pocket Door Slides

Two auxiliary Nylon rollers on each upper and lower unit prevent heavy doors from sagging as the ball-bearing slides are extracted.
Designed specially for a 3/4" thick wood follower strip (customer supplied) instead of a Steel follower strip, so that spacing of the hinges can be modified as the doors require.

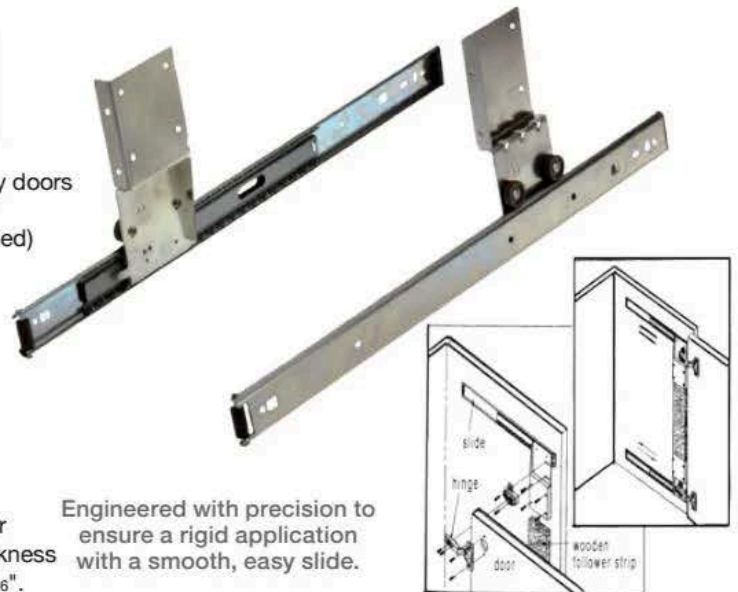
For doors up to 48" high, weighing up to 25 pounds.

Stocked in 20", 22", and 24" lengths.
Other lengths available on special order.

Supplied with hinges, mounting plates, and safety rollers.

Zinc Plated

Positive snap-catch in the extended position prevents damage to door from early closing. Use 35mm half-overlay hinges with the proper thickness mounting plate to limit clearance between door and cabinet to only 1/16".



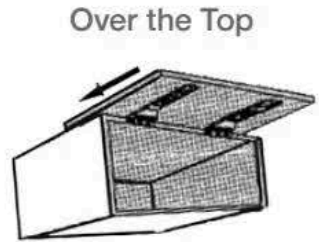
Engineered with precision to ensure a rigid application with a smooth, easy slide.

D2071
Over-The-Top Pocket Door Slides

Outside Reverse Pocket Door Slide for bookcases, filing cabinets or wherever inside pockets cannot fit. Extra long-life from high tensile strength Steel and special ball bearings tested for over 100,000 openings!

Stocked in 14" size but available in 12"-26" lengths.
No machining required.

Rated at 20 lbs on 18" length.
Zinc Plated



D2040
Progressive-Action Extra Heavy Duty Full Extension Slides

For desk file drawers, lateral files and store fixtures where heavy loads are combined with frequent use. As the drawer is opened, a center guided wheel activates the motion of the next of the three-section assembly. Rated at 150 lbs per pair on 18" length.

Stocked in 18", 20", 22" lengths. Only 1/2" thick by 4" high.

Other sizes available on special order. Side-mounted three-section telescopic motion. Positive trigger-release for easy drawer removal. Unhanded cabinet member for fool-proof assembly. Double Steel ball-bearing raceways with "anti-bounce back" feature. Separately mounted cabinet brackets firmly suspend drawers. Zinc Plated Steel

- D204018 18" length
- D204020 20" length
- D204022 22" length



DC8020
Free Closing Full Extension Drawer Slides

Heavier Steel (1.5mm), precision-stamped, and cleverly engineered. With both sides captive, eight Nylon rollers and Nylon-tracking glides provide a silky-smooth operation for loads up to 170 lbs.

Three-section telescopic construction with positive front and back stops to prevent accidental drawer removal. Bottom-mounted drawers lift out easily and installation is as simple as a standard slide.

Oven-Baked heavy Epoxy coating for long time protection against wear and corrosion.

Gloss Black Finish. Holes at 32mm combinations.

- DC802016 (15 3/4" opens to 31 1/2") Black
- DC802018 (17 3/4" opens to 35 1/2") Black



X3140U

Keyboard And Pencil Drawer Slides

Low-cost 9" long interlocking Steel forms extend 6" to extract keyboards, tablets, shelves or pencil drawers.
1" wide x 3/8" thick for #6 flat head screws (not included).
Black Oxidized Finish.



D742

Micro Guide "Thin" Roller Slides

A bottom-mount slide only 7/16" thick x 1 1/16" high that can handle desk pencil trays, computer keyboards, and shelf-pullouts from 1/2" thick and up.

Extends 3" less than the slide length.

Stocked in 14", 16", and 18" lengths.

Low cost, easy to install, easy to extract.
Holes are on 32mm multiples.

Rated at 35 lbs per pair on 16" size.

Nylon rollers on Epoxy Coated Steel in Brown.

Other sizes and colors available on special order.



D1845SUP

Super Heavy Duty Drawer Slides

Steel ball-bearing wheels sheathed in Nylon ensure extra-strong load bearing, long life, and smooth and quiet sliding.

Stocked in sizes 12" - 36" long in 2" increments.

Extensions from 8" - 30".

Extra-heavy .120 gauge Tempered Steel.

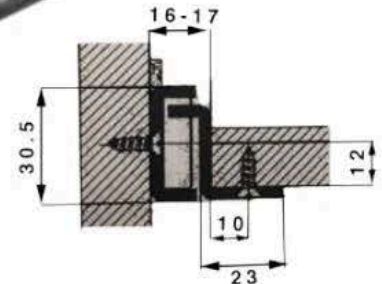
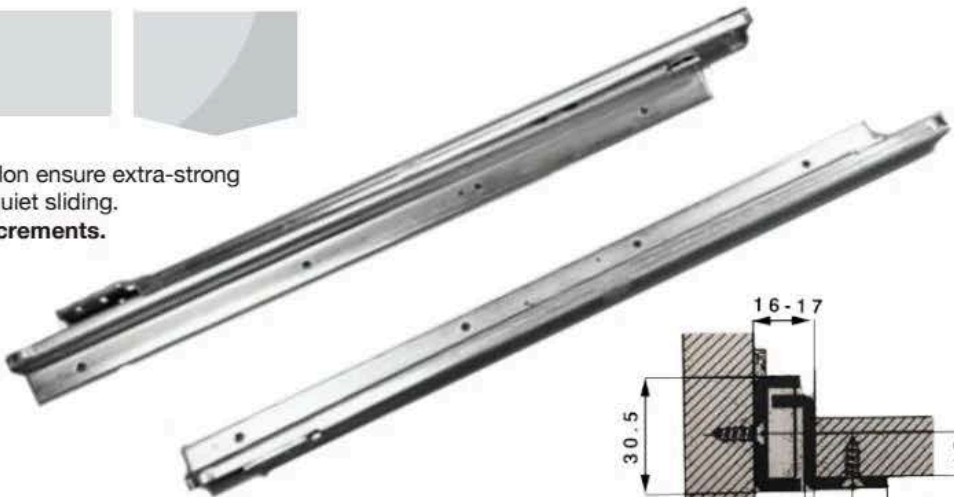
Load Capacity: 180-225 lbs Per Pair!

Zinc Plated.

Some sizes available in White.

Proven reliable for:

- Chassis Extraction
- Mechanical Equipment
- Air Conditioners
- Engineering Access



D6415

"No Shimmy" Captive Roller Slides

Guided-rolling with wheels on right side captive in U-shaped track to ensure straight motion without shimmy. Left side is free to accommodate slight variances in drawer widths.

Smooth, silent running on special Delrin-and-Steel wheels. Epoxy Coated Finishes in White, Brown and Almond. Especially useful for high humidity areas.

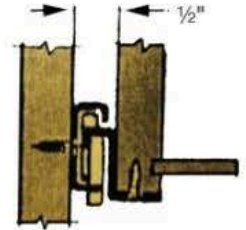
- Lengths from 12"-24"
- Rated at 75 lbs per pair on 16" size
- Screw hole centers on multiples of 32mm
- Drawer extension 4" less than slide length
- Accommodates drawer variances up to 3/16"
- For mounting on bottom or side of drawer

D6415TF Rear rollers mounted on raised cabinet tab for ease of insertion

DC6415SC Self closing action

DC6415T Straight low-profile for under-top mounting

Above slides also available for side-mounting



- Cabinet member adjustable vertically and up and down
- Drawer member adjustable side to side and front to back
- Parallel holes to accept either normal sheet metal screws or 5mm Euro screws

DC2075

Steel Drawer Slides

Heavy-duty Nylon rollers mounted on ball-bearing hubs. 75 lbs rated capacity. Positive stop in open and closed positions. Almond Powdered Coated Finish.

DC207516E 3" height x 16" length. Other sizes available on special order.



D1879

Light Load Full Extension Drawer Slides

A low-cost full extension drawer slide for loads up to 35 lbs. A two-section slide with secondary Nylon action in grooves to achieve full access to entire drawer*. Steel, Rust Free Epoxy-Coated in White with ball-bearing wheels sheathed in Delrin. Brown, Black or Almond colors available on special order. * Full extension provided by included Nylon slider.

D187916W 16"



- Low profile, 1/2" clearance required
- Bottom mounting locates drawers automatically
- Rear stop prevents shock-impact to drawer face
- Double front stops prevent accidental drawer removal

XDRAWERSAFE480

Digital Safe in a Drawer

Digital safe installs into virtually any furniture opening to create a drawer, making contents secure while disguising the safe. Perfect for walk in closets, bedside tables, desks, file cabinets, and so much more. External Size: 6" high x 19" wide x 16" deep Internal Size: 4 3/8" high x 16 1/4" wide x 10 5/8" deep



Drawer front customer supplied

DPUSHPLUS

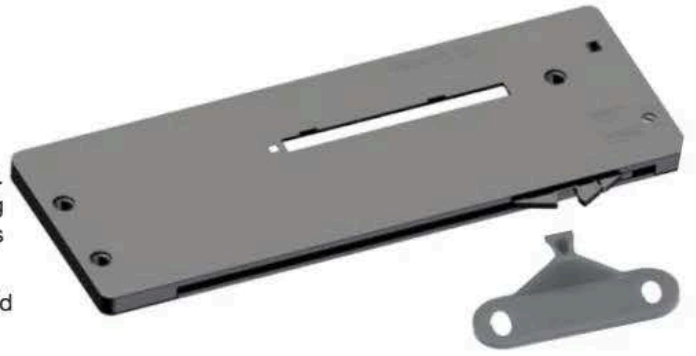
Push-Open Conversion Device

A push-open conversion device developed for drawers without any handles or knobs. One push will release the drawer and it will open softly and effortlessly. Give it another gentle push and the drawer will close again softly. Minimum drawer depth is 10". Small, compact design, perfect for retro fitting cabinet drawers. Screw holes are on multiples of 32mm and the actuator has slotted holes for easy adjustment.

For drawers wider than 20" or very heavy drawers, two DPUSHPLUSs should be used. 9" long x 3 3/8" wide and only 3/8" thick.

Easy installation instructions are included.

Dark Gray Polypropylene.



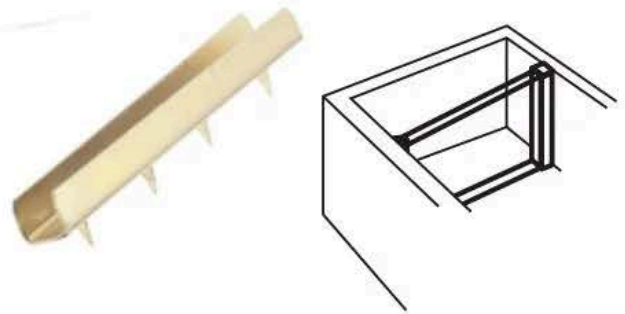
X212

Drawer Dividers

Barbed Steel channels, Brass Plated, for easy knock-in installation. Use with wood or glass dividers.

X212LGNARP 2 1/2" long for 1/4" divider

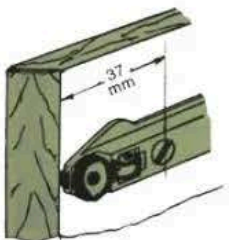
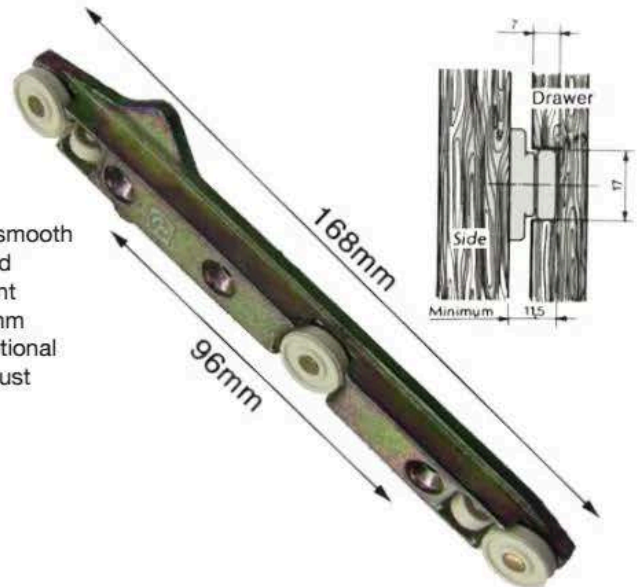
X212WDSP 1 11/16" long for 5/16" divider



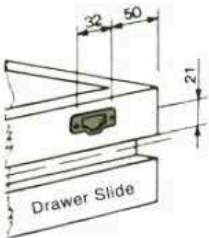
D1096N

Five Wheel Sideguide With Stop Bars

Designed for use on drawers with 17mm high by 7mm deep side grooves. It utilizes three vertical rollers and two horizontal rollers on each side to provide smooth drawer action. Only 3/16" is required for side clearance between the drawer and the case once the slide is installed into the 17mm wide groove. Incorporated front shock-absorbing bumpers protect drawer front from impact. Engineered for 32mm hole system, it is 6 5/8" long to handle drawers from 9" to 18" in length with an optional extender to handle drawers up to 24" long. Die-Cast Metal in Bichromate Anti-Rust Finish with five Nylon rollers.



Side



Drawer Slide

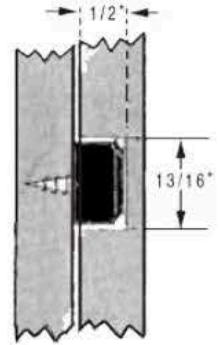


Nylon nail-on drawer stop permits drawer removal

X64400S

Two-Section Screw-On Drawer Roller

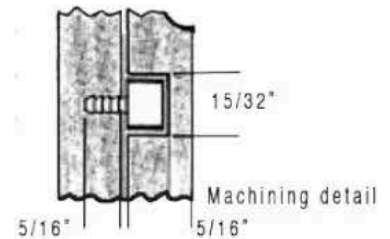
A stable non-binding drawer roller of two interlocking Nylon wheels and a deep-threaded fastening screw. Assists drawer movement and, when used in combination with pocket door slides, protects back of door from damage when door is being closed.
Black



X64105

Drive-In Roller

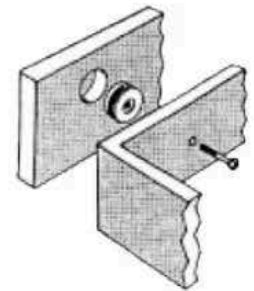
Patented Nylon roller on barbed Steel axle economically assists gliding action of shelves, drawers, and more. Roller is 7/16" (11.5mm) diameter x 9/32" (7mm) thick. Barbed axle permanently drives into a hole 1/8" (3mm) diameter x 5/16" (8mm) deep.
Stocked in White.
Black and Brown are available on special order



K73101W

Concealed Drawer-Front Aligner

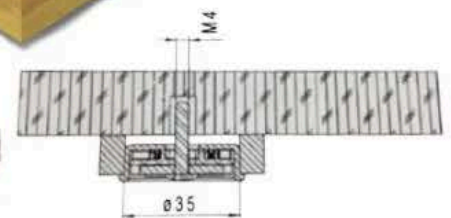
Permits interchangeable drawer fronts to be attached to any 4-sided box drawer. Center hub adjusts 3/16" in any direction!
Drives into 25mm x 12mm deep hole.
Ideal for vinyl-wrapped particle board or molded plastic drawers.
White Nylon. Supplied with 22mm long M4 screw.



X35ADJUSTER

Clever Fit Drawer Front Adjuster

A universal front adjuster, intuitive to use and very precise. It does not interfere with other drawer mechanisms. Made for making precise adjustments up to 2mm side to side or up and down on wooden drawer fronts. The connecting element between the front and the drawer, located inside the drawer itself, makes it possible to adjust the position of the drawer fronts without moving the drawer/runner unit, avoiding maladjustments. 3/8" thick x 35mm overall diameter.
Sold as a set of 2 with black covers.



P69510

Nail-On Plastic Door And Drawer Stop

Molded Polyethylene incorporating two nails for fast drive-in. Use as stopper for doors or drawers.
3/4" long x 5/16" thick x 3/8" tall. Nails are 1/2" long.
Brown or Black



DBDH

Cabinet Barn Door Hardware Kit

Barn door hardware kit is the perfect size for cabinets! Ideal for entertainment centers and in kitchens.

Track is 72" long and can be cut to size. **Each kit includes one track, two rollers, and components to mount one door.** Additional rollers and hardware are available separately to mount an additional door.

Material: Steel

Maximum door thickness: 1 3/16"

Maximum weight allowance: 44 lbs

DBDH72BLK Set, Dull Black Powder Coated Finish

DBDH72SIL Set, Antique Silver Powder Finish

DBDHROLLERBLK Set without track, Dull Black Powder Coated Finish

DBDHROLLERSIL Set without track, Antique Silver Powder Finish



Image shows one Barn Door Hardware kit and one additional set of rollers being used. Cabinet and barn doors not included.

TBDH

Barn Door Handles

The perfect handle for cabinets with barn door hardware. Available in Matte Black or Matte Silver finishes.

Made of Cast Aluminum. Each handle supplied with 2 each of M4 1" screws.
Small is 4 1/8" long, 3 3/4" c/c.
Large is 5 3/8" long, 5" c/c.

TBDHSMBLK Black, Small

TBDHLGBLK Black, Large

TBDHSMSIL Silver, Small

TBDHLGSIL Silver, Large



Black

Silver



P721

Sliding Wood Door Track

Smooth-as-silk nylon wood door tracks for doors weighing up to 25 lbs.

P721006 TRACK is used for both upper and lower tracks.

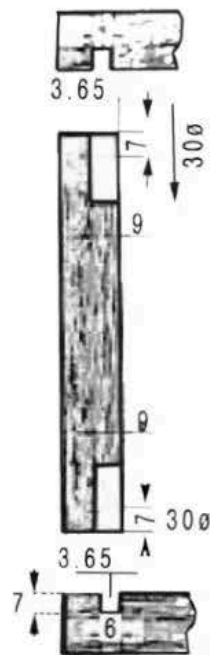
Cut groove 6mm wide x 7mm deep. Tubes of 25 pieces, each one is 78³/₄" long. Brown, Black, Oak, or White Vinyl.

X721900 Upper Slider and Lower Roller

Upper slider has a retractable tongue for easy door insertion or removal.

Lower roller has height adjustment of +/-2mm for perfect door fit.

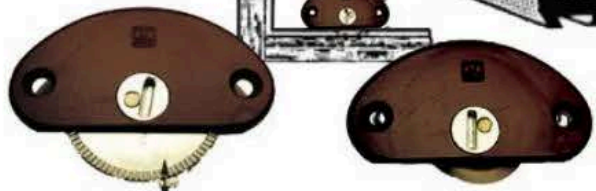
One set consists of 2 upper sliders & 2 lower rollers and should be used 2 each per door. Both upper and lower parts are inserted into 30mm diameter holes in the rear of the door drilled in 7mm from edge and 9mm deep. Cut door 1/4" smaller than opening.



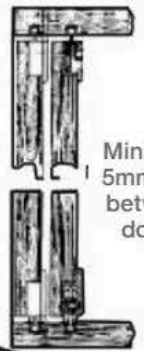
X721900
Upper Slider



X721900
Lower Roller



adjustable



Minimum
5mm gap
between
doors

X1332

Sliding Door Roller

Used to support the bottom of sliding doors.

1 1/8" tall x 3" wide x 12mm (15/32") deep, screw holes 2 1/2" c/c.

Wheel exposed 1/4" below door.

Ball-bearing Black wheel with Nylon tread.

Black Powder Coated Finish on Steel.



P24212

Retractable Spring Loaded Plunger

Spring loaded retractable function.

Ideal for use as a guide in a sliding door track or as a hinge pivot.

Body is 9.5mm diameter x 24mm long.

Plunger is 6mm diameter x 7.5mm long.

Dark Brown Nylon.



X30278L

Screw Adjustable Hold-In Clip

Secure holding and quick removal of framed glass or metal grilles. Reversible to accommodate varied glass thicknesses and door mortises. $\frac{7}{8}$ " vinyl-tipped screw tightens and adjusts without harming glass. Fasten to frame with supplied #6 round head screw. Overall size: $\frac{3}{8}$ " wide x $1\frac{3}{16}$ " long. Reversible offset: $\frac{5}{16}$ " Bronze Finish on Steel.



P21

Panel Retaining Clips

Tan polyethylene clips fasten with one screw to wood frame doors. Loosening of the screw permits easy removal of inset panel.

- P2110** Flat bottom for flush-mounting $\frac{7}{16}$ " wide x $\frac{7}{8}$ " long
- P21177** Panel recessed $\frac{1}{8}$ " $\frac{7}{16}$ " wide x $\frac{7}{8}$ " long
- P21178** Panel recessed $\frac{3}{16}$ " $\frac{7}{16}$ " wide x $\frac{7}{8}$ " long
- P21175** Panel recessed $\frac{1}{4}$ " $\frac{7}{16}$ " wide x $1\frac{1}{16}$ " long
- P21176** Panel recessed $\frac{5}{16}$ " $\frac{7}{16}$ " wide x $1\frac{1}{16}$ " long



X226L

Panel Retainer Clip

Formed Steel clip with $\frac{3}{16}$ " recess, fastens with #6 screw. Used to hold glass, panel or grille in door frame. Bronze Plated.

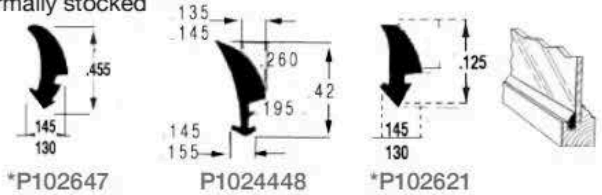


P102

Groove Type Panel Retainers

Soft, flexible polyethylene fits into routed groove in frame, $\frac{1}{4}$ " deep x $.130/.140$ " wide. Arched shape holds panel firmly in place. Notched to permit easy fit to curved or circular frames. Installs by pressure without screws or glue. Easily removable to clean glass.

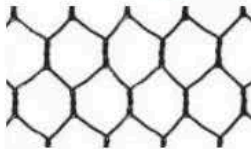
Rolls of 500 feet.
Fruitwood, Dark Brown, Walnut, Black or Clear
* Normally stocked



T38MESH

Solid Brass "Chicken Wire" Grille

Solid Brass wire woven in a $\frac{3}{8}$ " weave. Sold in rolls of 50 feet long x 38" wide or in cut-lengths 10 feet or over x 38" wide.



TDI25GRLD

Small Diamond Wire Grille

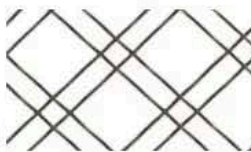
Flat Steel wire crimped and woven at $\frac{1}{2}$ " spacing. Sold in sheets of 4 x 3 feet. Standard finish: Light Antique Brass Plated. Other sizes and finishes available on special order.



T116CGRLD

Double-Diamond Wire Grille

Square Steel wire, crimped, and woven alternately. Sold in sheets 4 x 3 feet. Standard finish: Light Antique Brass Plated. Other sizes and finishes available on special order.



T316CGRLD

Diamond Wire Grille

Flat Steel wire crimped and woven at $\frac{3}{4}$ " spacing. Sold in sheets of 4 x 3 feet. Standard finish: Light Antique Brass Plated. Other sizes and finishes available on special order.



T3484 Stainless Steel Bar Handles

Solid Stainless Steel.
Brilliant Brushed Finish
Supplied with screws
Heavy 12mm diameter bar with 10mm diameter legs.



Pull #	Length	Hole Centers
T3484136C	5 3/8"	96mm c/c
T3484168C	6 5/8"	128mm c/c
T3484220C	8 5/8"	168mm c/c
T3484304C	12"	224mm c/c
T3484360C	14 3/16"	300mm c/c
T3484460C	18 1/8"	400mm c/c
T3484560C	22 1/16"	500mm c/c



T3490 Curved Stainless Steel Handles

Solid 10mm diameter.
Brilliant Brushed Finish
Supplied with screws

T349096C 96mm c/c
T3490128C 128mm c/c
T3490168C 168mm c/c



T3910 32mm Die Cast Knobs

Zinc Alloy casting. Heavy plated finishes.

Supplied with screws.

T3910C Brushed Nickel
T3910K Polished Chrome
T3910P Polished Brass



Polished Brass



Polished Chrome

T43071 Hollow Brass Knobs

Polished Brass, Polished Chrome, Satin Chrome,
or Glossy Black Nickel Finishes
Supplied with screws

T43071C1 1" diameter x 1 1/8" high
T43071 1 1/4" diameter x 1 5/16" high



1" Satin Chrome



1 1/4" Polished Brass

T2261

Metal Wire Handles

- T22613K 3" c/c Polished Chrome Plated
- T2261D312C 3 1/2" c/c, Satin Chrome Plated
- T2261D312K 3 1/2" c/c, Polished Chrome Plated
- T2261D312P 3 1/2" c/c, Polished Brass Plated
- T2261D4C 4" c/c, Satin Chrome Plated
- T2261D4K 4" c/c, Polished Chrome Plated
- T2261D4P 4" c/c, Polished Brass Plated
- T2261LGP 4" c/c, (low profile) Polished Brass Plated
- T22614ALUM 4" c/c, (low profile) Polished Aluminum
- T22615P 5" c/c, 8mm diameter, Polished Brass Plated
- T2261192S 7 5/8" c/c, 9.5" diameter, Glossy Black Powder Coated



Polished Chrome Plated
T22613K



Polished Brass Plated
T2261D4P

T2261

Plastic Wire Handles

- T2261212W 2 1/2" c/c White
- T22613E 3" c/c Almond
- T22613S 3" c/c Black
- T2261961K 96mm c/c Polished Chrome Plated
- T226196E 96mm c/c Almond
- T226196GRY 96mm c/c Gray
- T226196S 96mm c/c Black
- T226196W 96mm c/c White



XD412K

Solid Brass Door Handle

4 5/8" long x 1 1/4" wide with mounting brackets x 7/8" deep.
Surface mounted.
Ideal for indoor or outdoor use.
Screws included.
Polished Chrome Finish



T1196100K

Polished Chrome Handle

Contemporary style.
4" long x 5/16" thick x 1 1/8" deep, 2 1/2" c/c



Solid Brass Recessed Handles

Recessed flush pulls with Polished Brass or Satin Chrome face. Black inset recesses $\frac{3}{8}$ " deep.

Flat Face

T7045 1 $\frac{7}{8}$ " square. Round back recess is 1 $\frac{1}{2}$ " diameter

T7110 4 $\frac{1}{2}$ " long x 1 $\frac{5}{8}$ " high. Square back recess is 3 $\frac{3}{4}$ " long x 1 $\frac{11}{16}$ " high

Curved Face

T8045 1 $\frac{5}{16}$ " square. Round back recess is 1 $\frac{1}{2}$ " diameter

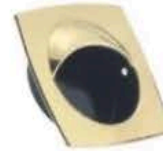
T8110 4 $\frac{1}{4}$ " long x 1 $\frac{11}{16}$ " high. Oval front recess is 3 $\frac{11}{16}$ " long x 1 $\frac{5}{16}$ " high



T7045



T7110



T8045



T8110

TGP416

Recessed Wood Handle

Ideal for offices and kitchens.

4 $\frac{9}{16}$ " long x 1 $\frac{3}{4}$ " wide.

Two pilot holes 3 $\frac{3}{4}$ " (9.5mm) c/c.

Double sanded, ready for finishing.

Solid Red Oak



TEDGE PULL

Aluminum Anodized Edge Pull

1 $\frac{7}{16}$ " long x $\frac{5}{8}$ " high x 1 $\frac{5}{8}$ " wide. Projection: $\frac{5}{8}$ " high

Two countersunk rear screw holes 32mm c/c.

Anodized Brass, Silver, and Black Finishes

TEDGE PULLK Anodized Silver

TEDGE PULLS Anodized Black

TEDGE PULLP Anodized Brass



TEDGE PULLP
Polished Brass

TA7050SM

Classic Whistle Knob

$\frac{1}{2}$ " diameter x 1 $\frac{1}{16}$ " long

Die Cast metal

Polished Brass, Polished Chrome, and Satin Brass Finishes



T365P

Recessed Finger Pull

$\frac{3}{4}$ " flush pull.

Ideal for pocket doors and sliding doors.

Bright Brass Plated



TBDH

Barn Door Handles

The perfect handle for cabinets with barn door hardware. Available in Matte Black or Matte Silver finishes.

Made of Cast Aluminum. Each handle supplied with 2 each of M4 1" screws. Small is 4 1/8" long, 3 3/4" c/c. Large is 5 3/8" long, 5" c/c.

- TBDHSMBLK** Black, Small
- TBDHLGBLK** Black, Large
- TBDHSMSIL** Silver, Small
- TBDHLGSIL** Silver, Large



TCFH463DN

Satin Antique Silver Handle

A diminutive handle that is perfect for kitchen, bath, or bedroom furniture.

4 1/2" overall length with a height of 1 5/16".

96mm screw hole centers

Stocked in Satin Antique Silver Finish.



TH9038L

Cup Pull

108mm x 38mm x 90mm c/c

Olde World Bronze Finish

Supplied with screws



TH9000L

Antique Bronze Knob

31mm tall x 33mm diameter

Olde World Bronze Finish

Supplied with screws



T3093D

Small Decorative Knob

Decorative knob available in an old Antique Brass finish.

5/8" diameter x 1/2" high.



T3615

Mission Style Handles

Zinc Die Cast and Steel

Black Mission Finish

T36151S Back plate: 1" wide x 3 7/8" long
Single screw hole

T36152S Back plate: 2" high x 3 3/4" long
Bail: 3" c/c



T36151S



T36152S

T153

Acrylic-Crystal Knobs With Brass Base

Solid Polished Brass base with Crystal Clear Acrylic knob.

T153SMO 1 1/8" OD x 1 7/16" high

T153LGO 1 3/8" OD x 1 5/8" high



T93935

Marble Knobs

Solid Polished Natural Marble with Solid Brass insert.

35mm diameter x 30mm tall.

Supplied with screw.

T93935GR Green

T93935RD Terracotta

T93935S Black

T93935W White



Black



Terracotta

T22S

Black Ball Knob

22mm diameter x 25mm deep.
Glossy Black on Die Cast Alloy ball.
Fantastic as a knob or a finial!
Machine screw sold separately



TCFH185C

Heavy Barrel Shape Knob

Zinc Diecast. 7/8" Diameter, 1" tall
with 5/8" diameter base.
Machine screw sold separately
Rich Satin Nickel Finish



T4542

Traditional Bail Pulls

T454225D 2 1/2" c/c screw holes, Antique Brass Plated

T454225P 2 1/2" c/c screw holes, Polished Brass Plated

T45423D 3" c/c screw holes, Antique Brass Plated

T45423P 3" c/c screw holes, Polished Brass Plated

T45424D 4" c/c screw holes, Antique Brass Plated

T45424P 4" c/c screw holes, Polished Brass Plated



T6021P

Bail Pull With Back Plate

Handle is 70mm long
Back Plate is 102mm long x 76mm tall
Screw holes are 3" c/c
Polished Brass Plated Finish



T2396
Modern Finger Pull

2¼" high x 1⅛" wide x 1" projection
32 mm (1¼") hole spacing
Polished Brass and Polished Chrome Finishes



T0290
Modern Pull

1¾" high x 1¾" wide x ¾" projection
Single hole attachment
Polished Brass and Polished Chrome Finishes



T2340K
Modern Pull

1¾" high x 1¾" wide x ⅝" projection
Screw holes: 1¼" c/c
Polished Chrome Finish



T2338K
Modern Pull

1⅛" high x 1⅝" wide
Screw holes: 1¼" c/c
Polished Chrome Finish



T419322K
Extruded Aluminum Finger Pull

Brushed Solid Aluminum.
⅞" x 1" x 1⅝" high.
Screw holes: 7/16" c/c



T751
Modern Pulls

- T75130** 1⅜" x 1⅜" high
Screw holes: 9/16" c/c
Projects: ⅞"
Polished Chrome Finish
- T75140** 1⅞" x 1⅞" high
Screw holes: 11/16" c/c
Projects: 15/16"
Polished Chrome Finish



H900 Series

110° Clip-On Soft Closing Hinges

X71690

Soft Close Piston

Can be added to any cabinet door to convert to soft closing door.

May be used without housing.



Forte

Hinges of Quality

Meticulous Italian technology with the economies of Far East production... Rigid quality control... Highest grade of raw materials... Specification-electroplated finishes

- A = amount of side revealed
- D = amount door overlays side
- H = thickness of mounting plate
- K = distance of hole from edge
- L = gap between door and side
- S = thickness of side
- T = thickness of door

Use formula to determine optimum thickness of mounting plate (H) and best location of bore (K)

**The Industry's 35mm Standard...
The Cabinetmaker's Workhorse!**

Tested to surpass ANSI-BFMA-KCMA norms

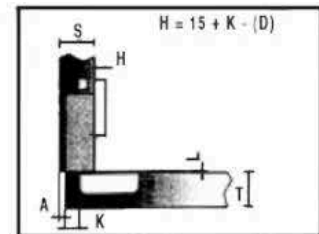
6-way adjustable! Drive-in or screw-on fastening! 11mm cup depth.

For doors 5/8" to 15/16" thick! Nickel Plated.

5/16" & 3/8" drive-in bushings. Boring distance from edge: 3-7mm.

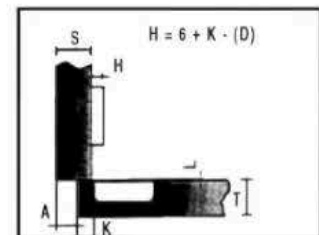
Full Overlay Hinges

- H900SC0 Screw-on cup
- H900SC0DWL With 10mm dowels



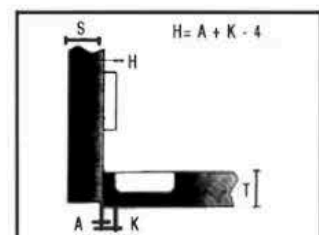
Half Overlay Hinges

- H900SC9 Screw-on cup



Full Inset Hinges

- H900SC17 Screw-on cup



Mounting Plates

- HB900AQ0 (0mm) Wood Screw
- HB900TQ0 (0mm) Cam Adjustable Wood Screw

Mounting plates available:

- In Normal screw-on type
- With pre-inserted Euro Screws
- With 8mm or 10mm drive-in bushings



HB900TQ0

H993 SERIES
110° Opening Clip-On Hinges

THE EASIEST CLIP-ON MADE! FEATURES A FINGER RELEASE TAB!

Tested to surpass ANSI-BFMA-KCMA norms

6-way adjustable! Drive-in or screw-on fastening! 11mm cup depth.
For doors 5/8" to 15/16" thick! Nickel Plated.
Boring distance from edge: 3-7mm.

Full Overlay Hinges

- Clip-on self-closing
H993720
- H993720NDWL** With 10mm dowels
- Clip-on free-closing
H99372F0



Half Overlay Hinges

- Clip-on self-closing
H993889
- H993889NDWL** With 10mm dowels
- Clip-on free-closing
H99388F9



Full Inset Hinges

- Clip-on self-closing
H9939817
- Clip-on free-closing
H99398F17



Mounting Plates

Clip-on simple Steel plate with vertical adjustment.

- HB2AQ0** (0mm)
- HB2AQ2** (2mm)
- HB2AQ4** (4mm)
- HBH22AQ** (2mm) Euro Screw
- HBH30JZCLIP** (3mm) For Face Frame

Clip-on plate with independent vertical adjustment.

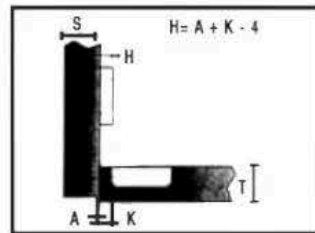
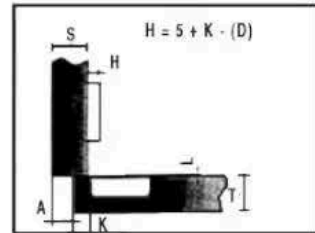
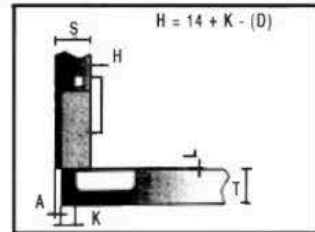
- HB20TQ0** (0mm) Cam Adjustable
- HB20TQ2** (2mm) Cam Adjustable
- HB20TQ4** (4mm) Cam Adjustable

- Mounting plates available:
- In 0, 2 and 4mm thicknesses
 - In normal screw-on type
 - With pre-inserted Euro Screws
 - With 8mm or 10mm drive-in bushings

Forte
Hinges of Quality

Meticulous Italian technology with the economies of Far East production... Rigid quality control... Highest grade of raw materials... Specification-electroplated finishes

- A = amount of side revealed
 - D = amount door overlays side
 - H = thickness of mounting plate
 - K = distance of hole from edge
 - L = gap between door and side
 - S = thickness of side
 - T = thickness of door
- Use formula to determine optimum thickness of mounting plate (H) and best location of bore (K)



HB2AQON



HB900TQ0

H993 Series

170° Self Closing Hinges Clip On / Slide On



Forte

Hinges of Quality

Tested to surpass ANSI-BFMA-KCMA norms

All hinges are 6-way adjustable: Front-Back, Up-Down, and Left-Right. Boring distance from edge of door (K): 3-7mm. Cups are 35mm diameter x 11mm deep, for use on doors 5/8" - 7/8" thick. Nickel Electroplated Finish is standard. Other finishes available to order. Free closing hinges available to order.

Meticulous Italian technology with the economies of Far East production... Rigid quality control... Highest-grade of raw materials and specification-electroplated finishes

- A = amount of side revealed
- D = amount door overlays side
- H = thickness of mounting plate
- K = distance of hole from edge
- L = gap between door and side
- S = thickness of side
- T = thickness of door

Use formula to determine optimum thickness of mounting plate (H) and best location of bore (K)

Full Overlay Hinges

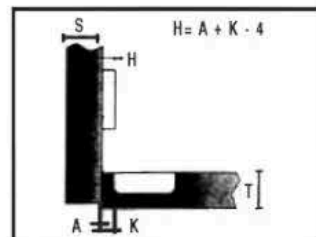
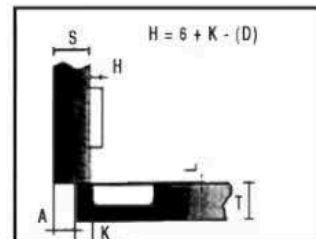
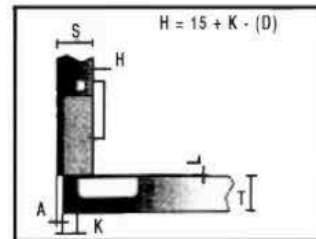
 Clip-on self-closing
H993240

 Slide-on self-closing
H993200

Half Overlay Hinges

 Clip-on self-closing
H993269

Full Inset Hinges

 Clip-on self-closing
H9932717

Mounting Plates

Slide-on simple hinge plate

- HB2AZ0** (0mm)
- HB2AZ2** (2mm) Wood Screw
- HBH22AZ** (2mm) 12mm Euro Screw
- HB2BZ2** (4mm) Euro Screw
- HBH30JZ** (3mm) For Face Frame

Clip-on simple Steel plate with vertical adjustment

- HB2AQ0** (0mm)
- HB2AQ2** (2mm)
- HB2AQ4** (4mm)
- HBH22AQ** (2mm) Euro Screw
- HBH30ZCLIP** (3mm) For Face Frame

Slide-on hinge plate with independent cam action vertical adjustment

- HB20FZ2** (2mm)
- HB20FZ4** (4mm)
- HB4BZ** (4mm) Euro Screw

Clip-on hinge plate with independent vertical cam adjustment

- HB20TQ0** (0mm) Cam Adjustable
- HB20TQ2** (2mm) Cam Adjustable



Mounting plates available:

- In 0, 2 and 4mm thicknesses
- In normal screw-on type
- With pre-inserted Euro Screws
- With 8mm or 10mm drive-in bushings

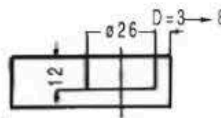
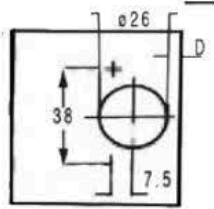
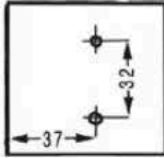
HC3A5 Free-Closing, HC3A7 Self-Closing
All Steel Mini Slide-On Hinges

Does the job of Big Hinges. A proven workhorse on millions of doors in the U.S., Italy, Germany and England. This is small enough for 5/8" doors in heavy use areas. Certified to surpass industry standards by independent test laboratories.

Six-way adjustable
Cup: 26mm diameter x 10mm depth
Applications: Screw-on with wood screws or drive-in with 8mm or 10mm bushings
Euro screws for 5mm holes on 32mm systems
Full overlay, half overlay or full inset
Full overlay of end panel up to 13/16"
Hole distance: 3-8mm from edge of door for varied overlays

All-Steel mounting plates in 0mm and 6mm thickness.

- HB3V3Z0ST** (0mm)
- HB3V3Z6** (6mm)
- HB3VGH0** (0mm) With Euro Screws



- Full Overlay (5/8" - 13/16") **HC3A50** (free closing) **HC3A70** (self closing)
- Half Overlay (1/4" - 7/16") **HC3A59** (free closing) **HC3A79** (self closing)
- Full Inset **HC3A517** (free closing) **HC3A717** (self closing)

H99697
40mm Clip-On Hinges, Self Closing and Soft Closing

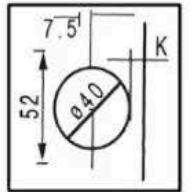
For doors up to 1 9/16" thick. Large cup permits larger turning radius to accommodate thicker, heavier doors!
Door thicknesses from 7/8" to 1 9/16"
Cup: 40mm diameter x 13mm-15mm
Opens 95 degrees
Instantaneous snap-on, clip-on mounting
Self-closing, spring loaded hinges

Tested to surpass ANSI-BFMA-KCMA norms

6-way adjustable! Drive-in or screw-on fastening!
13mm cup depth.
For doors 5/8" to 1 1/8" thick!
Nickel Plated.
Boring distance from edge: 3-7mm.

- Self Closing**
- H996970N** Full Overlay
- H996979N** Half Overlay
- H9969717N** Full Inset
- Soft Closing**
- H99697SC0N** Full Overlay
- H99697SC9N** Half Overlay
- H99697SC17N** Full Inset

Ideal for thick doors as well as pocket doors that require extra clearance for mountings



Mounting Plates

Clip-on simple Steel plate with vertical adjustment

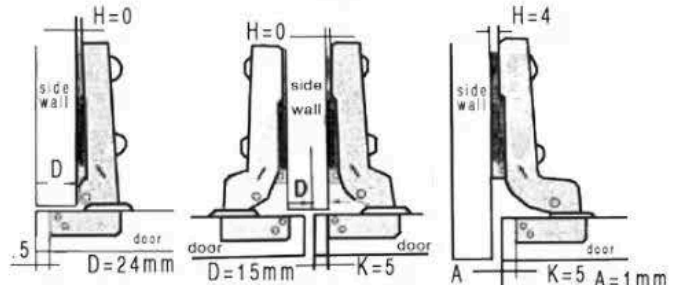
- HB2AQ0** (0mm)
- HB2AQ2** (2mm)
- HB2AQ4** (4mm)
- HBH22AQ** (2mm) Euro screw
- HBH30JZCLIP** (3mm) For Face Frame

Clip-on hinge plate with independent vertical adjustment

- HB20TQ0** (0mm) Cam Adjustable
- HB20TQ2** (2mm) Cam Adjustable

Mounting plates available:

- In 0, 2, and 4mm thicknesses
- In normal screw-on type
- With pre-inserted Euro Screws
- With 8mm or 10mm drive-in bushings



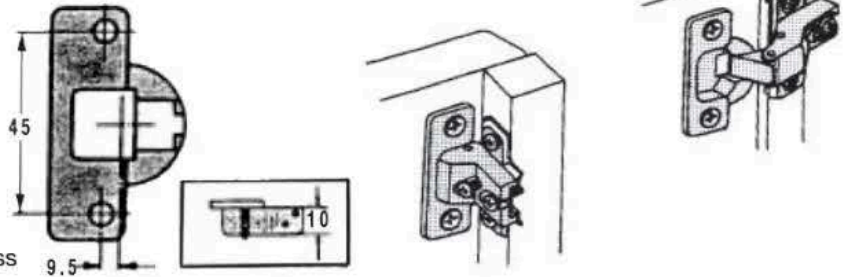
- Full Overlay **H996970N** **H99697SC0N**
- Half Overlay **H996979N** **H99697SC9N**
- Full Inset **H9969717N** **H99697SC17N**

HF100 Face-Frame Hinges For Kitchen Cabinets

A proven performer for strength, durability, and ease of installation, all at a competitive price. Side clips automatically locate plate. Overlays frame $\frac{5}{8}$ " to $\frac{13}{16}$ ". Cup diameter: 35mm x 10mm deep Boring distance from door edge: 3-8mm For doors $\frac{5}{8}$ " and $\frac{3}{4}$ " thick. Gap between door and frame: 5mm Self-closing. Vertical and lateral adjustments. Hardened Steel, Nickel Plated

HF100N Screw-in model
HF108N Drive-in model, 8mm bushings

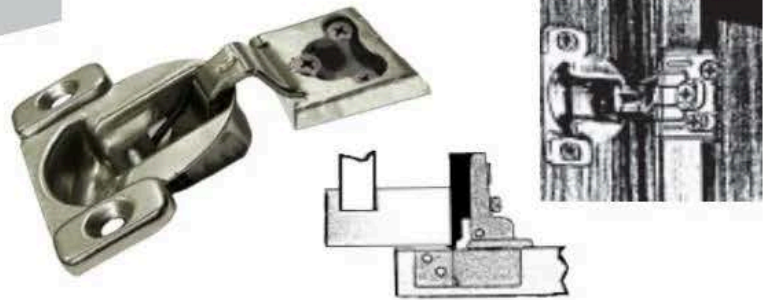
For automatic drilling machines: Standard Pattern is similar to Blum. We can also match Mepla, Hettich, Grass and Italian patterns on special order.



HF800 Face Frame Hinges Self Closing

6 way adjustable: $\frac{5}{16}$ " up-down, $\frac{1}{8}$ " left-right, $\frac{1}{8}$ " front-back 35mm hole x 12mm ($\frac{15}{32}$ ") deep 105° opening. Mounting plate fastens with 1 screw. Automatic locator on frame. Hardened Steel, Nickel Plated

HF800N $\frac{1}{2}$ " overlay for $\frac{5}{8}$ " to $\frac{3}{4}$ " panels
HF800125N $1\frac{1}{4}$ " overlay for panels $\frac{5}{8}$ " to $\frac{7}{8}$ "



HF3000 Series Face Frame Hinges Soft Closing

35mm hole x 12mm ($\frac{15}{32}$ ") deep. 6 way adjustable. 105° opening. Spring loaded, soft closing. Mounting plate fastens with 1 screw. Automatic locator on frame. Hardened Steel, Nickel Plated

HF3600125 $1\frac{1}{4}$ " overlay for panels $\frac{5}{8}$ " to $\frac{7}{8}$ "
HF370015 $\frac{1}{2}$ " overlay for panels $\frac{5}{8}$ " to $\frac{3}{4}$ "



HC70012 Face Frame Hinge Self Closing

Low cost, the industry standard face frame hinge. 35mm hole x 10.5mm ($\frac{13}{32}$ ") deep. Vertical adjustment on face frame with slotted hole. Self locating on $\frac{3}{4}$ " face frame. 105° opening for door thickness of $\frac{9}{16}$ " - $1\frac{1}{16}$ ". Spring loaded, self closing Steel, Nickel Plated



HC2000M

Surface Mounted Concealed Hinges (90° opening)

No holes to bore! No mounting plates to attach! Fully adjustable!
One hinge fits full overlay, half overlay or inset doors. Since door opens with flush interior surfaces, these are ideal for kitchen cabinet doors, electronic access doors, drop flaps on cabinets, and much more. Small in size, proven strong, economical. Full overlay of side panel up to $\frac{25}{32}$ ". Steel, Nickel or Statuary Bronze Finishes

- HC2000M** Spring Closing, 4" long
- HC2000ME** Free Closing, 4" long
- HC2000MINIZ** Spring Closing, 3 1/8" long

HC2000MZ
Nickel

HC2000ML
Bronze

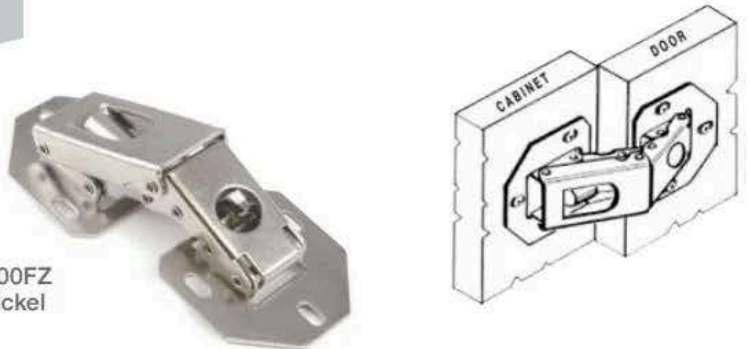


HC2000FZ

Offset Opening Heavy Duty Hinge (90° opening)

Spring-closing, surface-mounted, adjustable, concealed hinge. No hole boring! No pre-mounting of plates!
For equipment service doors on electronic, communication, and elevator installations. 1/2" offset when opened. One hinge fits full overlay, half overlay or inset doors. Full overlay of end panel up to $\frac{25}{32}$ ". Steel, Nickel-Plated

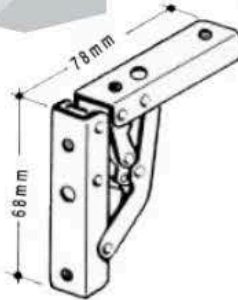
HC2000FZ
Nickel



HC200090N

Up-Opening Concealed Top Lid Hinge (90° opening)

Flush-opening lid hinge for hampers, chests, or piano benches. Surface mounted, no hole-boring or pre-mounting of plates. 5 3/4" long by 1 3/16" wide. Spring Closing Full overlay up to 5/8". Steel, Nickel Plated



HC200090N



HC200016 / HC200019

Concealed Face Frame Hinges (90° opening)

Surface mount, self closing concealed hinges for face frame cabinets. For use on materials 5/8" - 3/4" thick. Allows 1/2" or 5/8" overlay, depending on door thickness. Nickel Plated

- HC200016** Single spring
- HC200019** Double spring

HC200016

HC200019



HC2000

Surface Mounted Concealed Hinges

4 Door Conditions! 1 Hinge!

US Patent 5,035,026

A heavy-duty hinge exceeding U.S. ANSI-BFMA specifications by 100%. Smooth, silent, sag-free opening to 175° **without drilling holes** and **without using base-mounting plates**. One type of hinge fits **full overlay, half overlay and full inset doors!** There is no inventory duplication and 45° mitered corners are possible! For normal use, door thickness can be up to 1", but where doors abut on adjoining cabinets, a maximum of 13/16" is recommended.

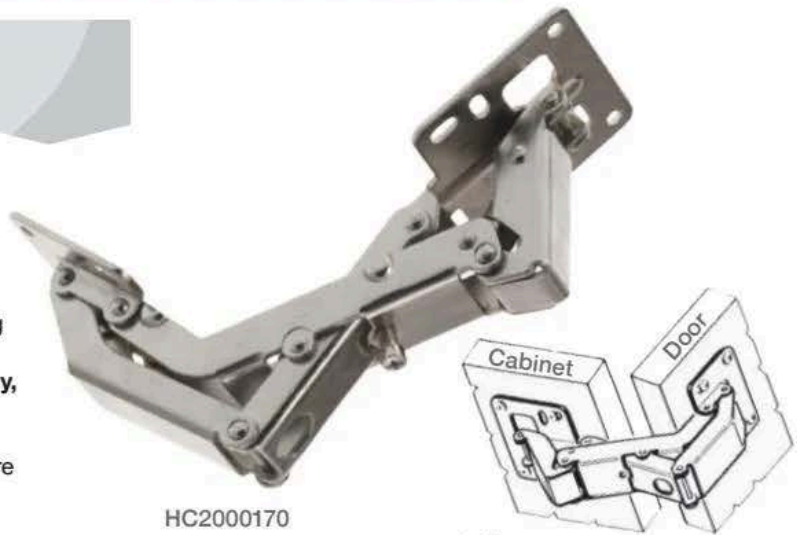
- Six-way adjustable
- Extra heavy-duty construction
- Hardened .082 Steel throughout
- Nickel Plated or Statuary Bronze Plated standard
- Black or Brass Plated available on special order in quantity

175° Opening

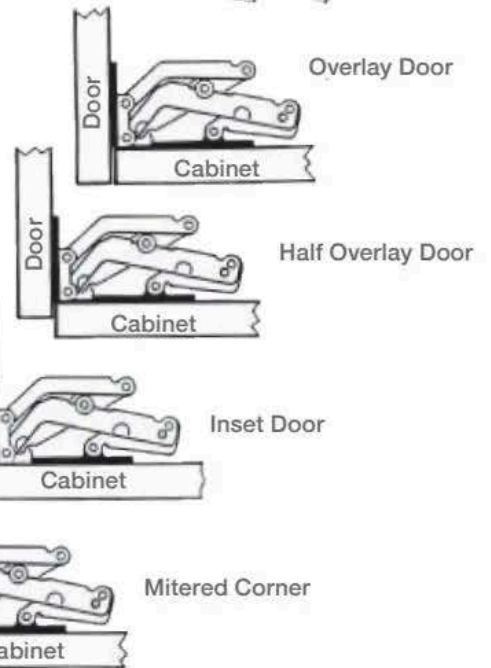
HC2000170 Spring Closing
 HC2000E170 Free Closing

150° Opening

HC2000150 Spring Closing
 HC2000E150 Free Closing



HC2000170



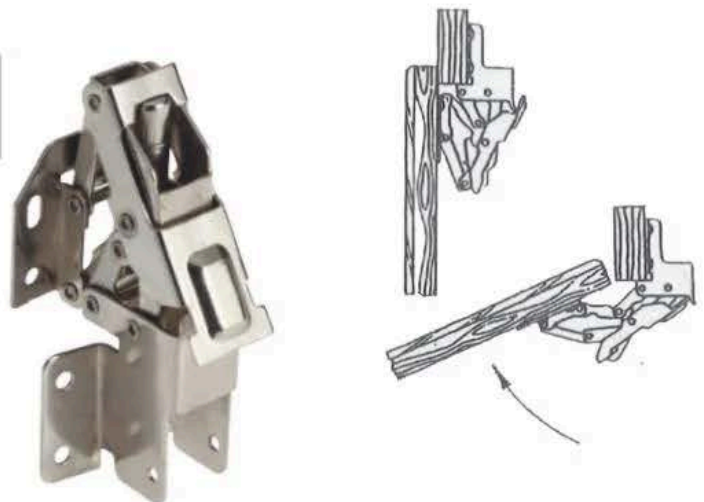
HC2000150

HC2000CARVAN

Lift Up, Hold Up Hinge

Heavy-duty lift up hinges for overhead doors. Hold open at 75°, release at finger touch. Mount on surface with **no machining or mortising**. Rugged Steel construction. Door fits outside the cabinet. Hinge accommodates 3/4" setback. Nickel Plated.

For wall units, mobile homes, mirrored vanities, equipment access doors, and office storage units.



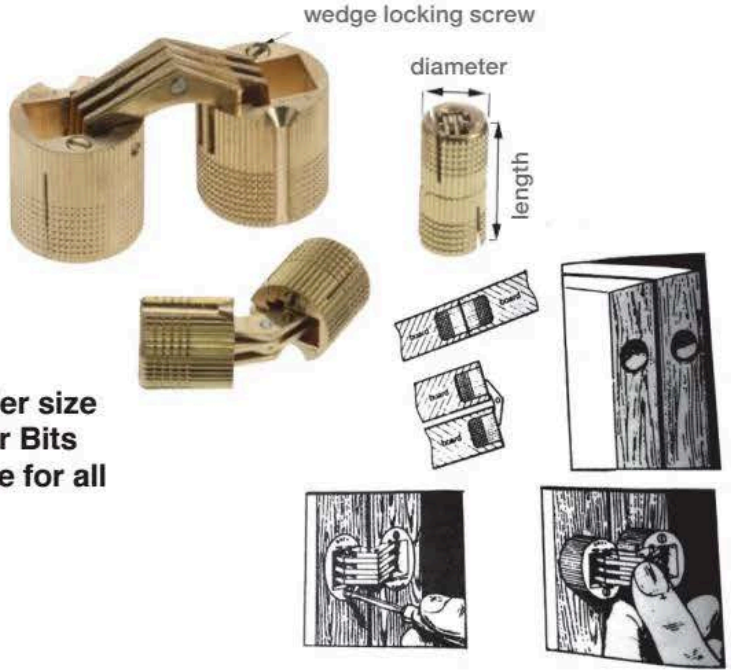
H610
Champ Hinges

**The secret is in the wedge action!
Just drill holes and insert!**

Machined **SOLID BRASS** with Steel linkages.
Drill millimeter size holes to exact depth.

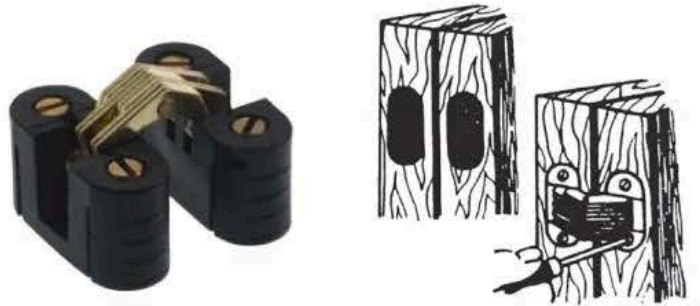
- H61010** 10mm diameter x 7/8" long for 1/2" wood
- H61012** 12mm diameter x 1 1/16" long for 5/8" wood
- H61014** 14mm diameter x 1 3/16" long for 3/4" wood
- H61016** 16mm diameter x 1 5/16" long for 7/8" wood
- H61018** 18mm diameter x 1 3/8" long for 1" - 1 1/8" wood
- H61024** 24mm diameter x 2" long for 1 1/4" - 1 1/2" wood

**Millimeter size
Forstner Bits
available for all
hinges**



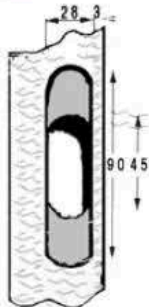
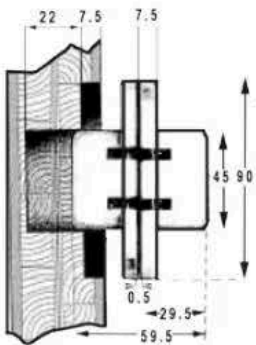
HOVAL12
Nylon Body With Steel Linkages Hinge

Opens 180°. Screwless application! Incorporated set screws expand wedge-locks to secure in wood.
32mm long x 12mm wide for wood up to 13/16" thick.
Make mortise with 12mm diameter bit.
Black Nylon with Brass linkage.
White available on special order.



H2010INOX
Super Hinge For Heavy Doors

Full mortise Nylon body with Stainless Steel hinge linkage and Stainless Steel face cover.
Hinge is rated for doors up to 55 lbs.
Fully concealed, 180° opening.
3 1/2" long x 1 1/16" wide when closed.



H217303P
Super Hinge For Heavy Doors

Traditional invisible hinge. Cold Rolled Steel, precision-made in Europe. No die-cast parts subject to metal failure.
Eliminates sagging, opens to a full 180°.
Bright Brass Plated.
Plate length: 1 1/2"
Plate width: 15/32"
Mortise: 25/32"
Minimum wood thickness: 3/4"



H266 / HFHX266

Non Mortise Hinges

Our factory makes over a half-million a week because this is the workhorse hinge of the furniture industry. No mortising, no machining, no cutting in! The hinge leaves only 1/16" gap!

Model	Size	Leaf	Screw	Assembly	End
H26615	1 1/2" x 13/16"	5/8"	#4	Tight Pin	Plain
H2662	2" x 15/16"	11/16"	#4	Tight Pin	Plain
H26625	2 1/2" x 1"	3/4"	#5	Tight Pin	Plain
H2663	3" x 1 5/16"	1"	#5	Tight Pin	Plain
HFHX266112	2 1/2" x 13/16"	5/8"	#4	Tight Pin	Finial
HFHX2662	3 1/16" x 15/16"	11/16"	#4	Tight Pin	Finial
HFHX266212	3 9/16" x 1"	3/4"	#5	Tight Pin	Finial
HFHX2663	4 3/8" x 1 5/16"	1"	#5	Tight Pin	Finial

Lengths are overall (tip-to-tip)

Pieces per carton: 1 1/2" = 400, 2" = 300, 2 1/2" = 200, 3" = 100

HSTP266212L

125° No Mortise STOP Hinge

For recessed doors or projecting moldings, this hinge will stop the door opening at an angle of 125°.

2 1/2" long x 1" wide with 3/4" leaf.

Plain ends, Statuary Bronze Finish on Steel.

H378CRL Plain End

HFHX378CRP Finial End

Double Crank Hinges

For lipped doors .050 Steel. Door overlays 5/16".
Insets 7/16". Countersunk for #4 flat head screws.

H378CRL 2" long, Statuary Bronze Finish

HFHX378CRP 3 1/16" long, Polished Brass Finish

Lengths are overall (tip-to-tip)

HN4100

270° Opening Flush Hinges

Heavy duty Steel hinges for full opening.

.060 gauge for normal wide doors.

Polished Brass and Statuary Bronze Finishes

HN410058 For 5/8" thick doors

HN410034 For 3/4" thick doors

Other sizes and finishes available on special order

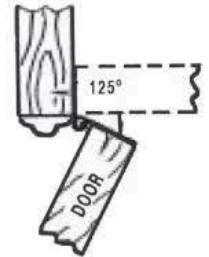
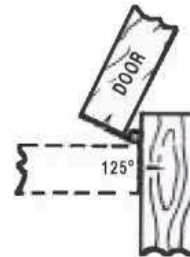
H266

Plain ends are available in Statuary Bronze, Polished Brass, Antique Brass, Black, and Nickel Finishes on Steel

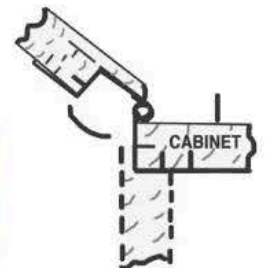
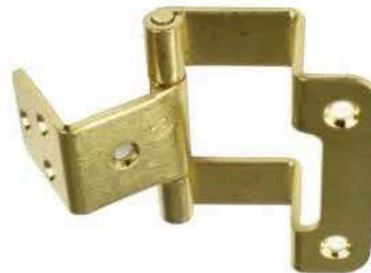
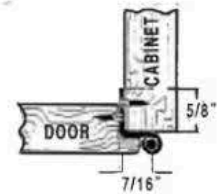


HFHX266

Finial ends are available in Antique Brass, Statuary Bronze and Polished Brass Finishes on Steel



Finial End Shown



Hinges
Non-Mortise

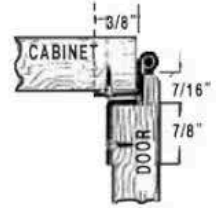
H31038L Plain End
HFHX31038 Finial End
Non-Mortise Crank Hinges

For lipped doors, .052 Steel, overlays $1\frac{3}{32}$ ".
No machining, no mortising.

H31038L $\frac{3}{8}$ " Offset, 2" length for use with #5 screws.
Statuary Bronze or Antique Brass Finish

HFHX31038 $\frac{3}{8}$ " Offset, $3\frac{1}{8}$ " length (tip to tip) for use with #5 screws.
Antique Brass Finish or Unfinished

Plain End Shown



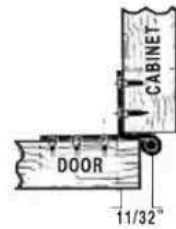
H365FL Plain End
HFHX365FD Finial End
Flat Flush Hinges

For overlay doors. Flat inner leaf provides extra fastening into solid wood. .050 Steel, $\frac{3}{8}$ " coverage, for use with #4 screws.

H365FL 2" long, Statuary Bronze Finish

HFHX365FD $3\frac{1}{8}$ " long (tip to tip), Antique Brass Finish

Plain End Shown



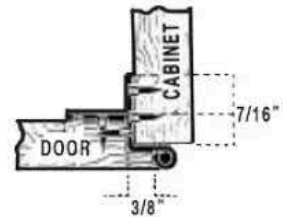
H365CRL Plain End
HFHX365CRD Finial End
Double Crank Hinges

For lipped doors, .050 Steel.
Door overlays $\frac{3}{8}$ ", insets $\frac{3}{8}$ ".
Countersunk for #4 flat head screws.

H365CRL 2" long, Statuary Bronze Finish

HFHX365CRD $3\frac{1}{16}$ " long (tip to tip), Antique Brass Finish

Finial End Shown



H370PF
No Mortise Lid Hinges

For lift-lids, toy chests, piano benches, headboard storage compartments and more. Opens 195°. Steel, Brass or Bronze Finish

H370PF58L $\frac{5}{8}$ " offset no mortise lid hinge, Bronze

H370PF58P $\frac{5}{8}$ " offset no mortise lid hinge, Brass

H370PFL $\frac{3}{4}$ " offset no mortise lid hinge, Bronze

H370PFP $\frac{3}{4}$ " offset no mortise lid hinge, Brass

H370PF298L $\frac{3}{4}$ " x $\frac{3}{4}$ " double crank hinge, Bronze

Special order: $\frac{1}{2}$ " wood size, Brass or Nickel Finishes



H370PFL



H370PF298L



HO9600

Surface Mounted Door Hinges

Flush door type, self-closing.
Screws and pads included.
Slotted screw holes available on special order.
Antique Brass, Satin Chrome, Polished Brass, or
Polished Chrome Plated.

HO9601L Free closing, available in Bronze Finish only.
Other finishes available on special order.

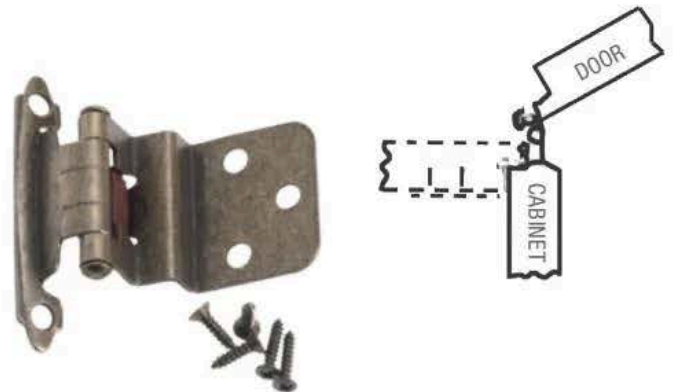


HO9700

Surface Mounted Door Hinges With 3/8" Inset

Self closing. Screws and pads included.
Stocked in Antique Brass.
Polished Brass and Polished Chrome Plated, and Black and
Off White Powder Coated available on special order.
Slotted screw holes available on special order.

HO9701D Free closing, available in Antique Brass only.
Other finishes available on special order.

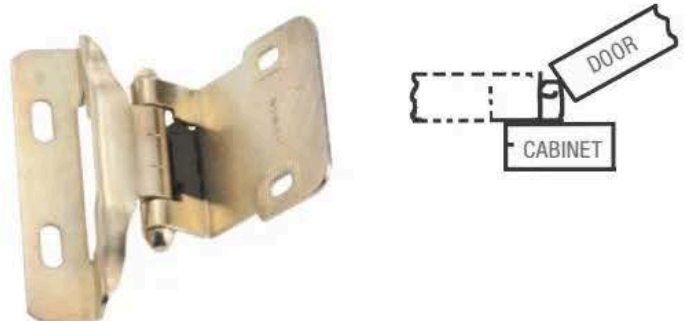


HO9800

Surface Mounted Door Hinges

Half wrap-around on 5/8" frame.
Oval holes on both wings.
Door overlays frame 1/4".
Steel, Polished Brass or Antique Brass Plated.

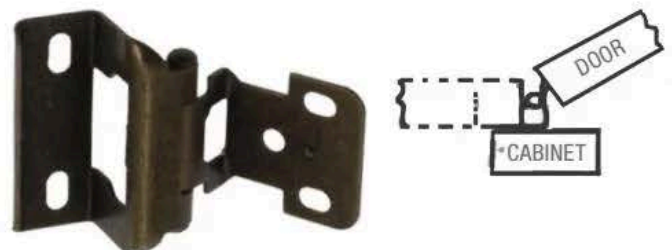
HO9800 is available for 3/8" inset doors on special order.



HO5730

Surface Mounted Door Hinges

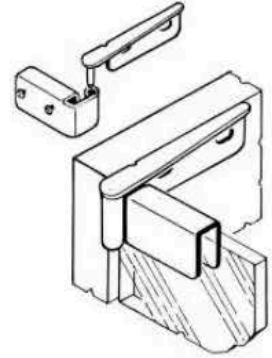
Full wrap-around on 3/4" frame.
Door overlays frame 3/8".
Steel, Antique Brass or Dull Nickel Plated Finishes.



HT1000P
Inset Glass Door Hinges

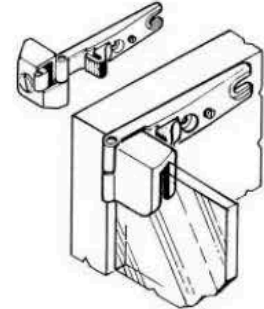
Lift-off glass door hinges for $\frac{3}{16}$ " or $\frac{1}{4}$ " glass.
Hinges can be mounted and doors shipped dismounted for security.
Face of hinge measures $\frac{7}{8}$ " high x $1\frac{7}{8}$ " long.
Jewelry-Finished High-Gloss Polished Brass on Steel.
Sold in pairs.
Chrome or Black available on special order.

No machining of wood! No boring of glass!



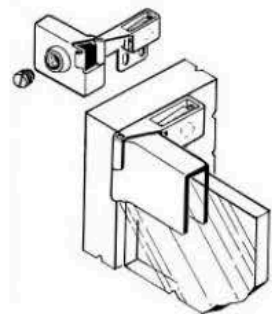
HT5671
Inset Glass Door Hinges

Positive snap-action closing, opens to 160° .
Die Cast non-sag body for glass 4-6mm thick.
Glass is secured with large rubber-tipped screw.
Cabinet member screw holes on 32mm centers.
Face of hinge measures 1" x 1".
Sold in pairs.
Brass Plated, Nickel Plated, Black, or White Finishes.



HT1027
Inset Glass Door Hinges

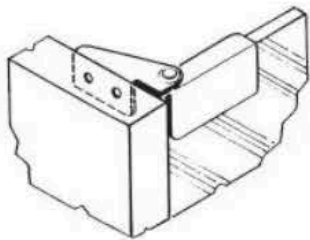
Positive self-locking catch in this larger "pocket hinge" opens 160° .
Glass is secured with large rubber-tipped screw.
For glass up to $\frac{1}{4}$ " thick.
Screw holes in cabinet member on 16mm centers.
Face of hinge measures $1\frac{3}{16}$ " high x $1\frac{9}{16}$ ".
Sold in pairs.
Die Cast metal in Bright Brass or Bright Chrome Finishes.



HT86LS

Inset Glass Door Hinges

For $\frac{3}{16}$ " or $\frac{1}{4}$ " glass.
Fastens to side of cabinet with two screws. Glass is secured with two self-contained screws and a cushioned Steel liner plate.
Sold in pairs.
Polished Brass, Polished Chrome or Semi-Gloss Black Finishes.



HT89LS

Inset Glass Door Hinges

For $\frac{3}{16}$ " glass. Fastens to side of cabinet with two screws. Glass is secured with a wedge action cushion.
No machining of glass.
Sold in pairs.
Polished Brass Finish.

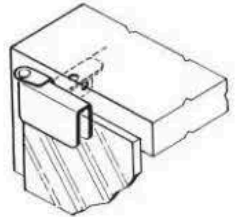


See page 18 for Push Latch options

HT960

Overlay Glass Door Hinges

Mounts on inside of case on top and side with three screws, locating automatically in the corner. Opens to 194°.
No cutting or drilling of glass.
For $\frac{3}{16}$ " or $\frac{1}{4}$ " thick glass.
Overlays sidewall and top edge $\frac{7}{32}$ ".
Sold in pairs.
Heavy Steel Plated
Polished Brass, Polished Chrome or Semi-Gloss Black Finishes.



Polished Chrome



Polished Brass

H17485

Inset Glass Door Hinges

No-bore inset glass door hinge. For $\frac{3}{16}$ " and $\frac{1}{4}$ " glass.
Nylon tipped screws hold glass securely.
 $\frac{13}{16}$ " high x 2" long.
Sold in pairs.
Polished Brass or Polished Chrome Finishes.



HT86S

No-Bore Inset Glass Door Hinges

Clips on to top and bottom without hole boring.
Rear screws secure against adhesive Steel insulating plate.
1/2" high x 1 1/2" long.
For 3/16" and 1/4" glass.
Steel, Polished Brass, Polished Chrome or Semi-Gloss Black Finishes.
Special order: for 1/8" glass.



Polished Chrome

H501SNAP

Snap In Glass Door Hinge (Inset)

It's a snap to install glass doors with Selby's Snap hinges!
Insert the special plastic locking bushings in the holes, top and bottom, and snap in the hinges to lock them in place. Then it's easy for one person unassisted to slide in the glass and tighten the special plastic-tipped screws. 1 9/16" long x 1/2" high for 3/16" glass.
.078 Steel
1 9/16" long x 3/4" high.
For inset doors.
Options: 1/4" or 1/8" thick glass
US Patent #5855042
Polished Brass or Semi-Gloss Black Finishes.



Polished Brass

HPRO11

Glass Door Hinges

Side mounted hinges with 1/2" overlay of side panel.
Slotted holes permit 3/16" adjustment. For 3/16" overlay glass doors.
1 9/16" long x 1/2" high. Glass is fixed with plastic screws against an adhesive Steel insulating plate. Options: 1/4" or 1/8" thick glass
1 9/16" long x 3/4" high.
Stocked in Polished Brass Finish.
Polished Chrome or Semi-Gloss Black Finishes available on special order.

HPRO111 For overlay doors
HPRO112 For inset doors



Polished Brass

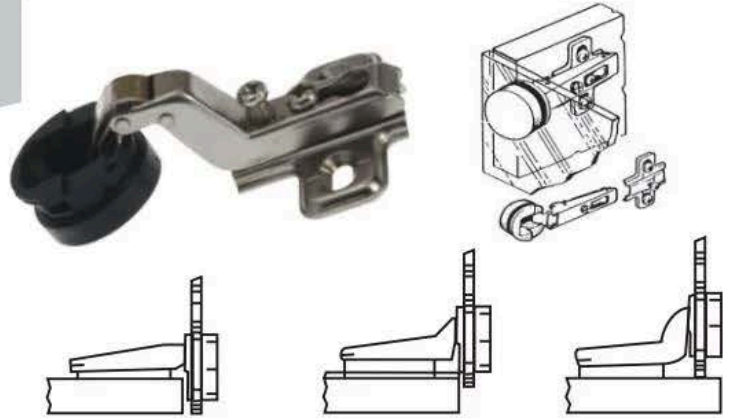
See page 18 for
Push Latch options

See page 94 for Lock
options for glass

H9130

Glass Door Hinges For 26mm Holes

Requires 26mm hole 4-7mm from edge of glass.
For 3/16" to 1/4" glass.
Self-closing. 6-way independent adjustability.
Standard screw-on mounting plate included.
Door opens 92°.
Face is 1 5/16" diameter in ABS Nylon.
Decorative cover caps available in Polished Brass, Polished Chrome or Gloss Black Finishes



FULL OVERLAY
H913010

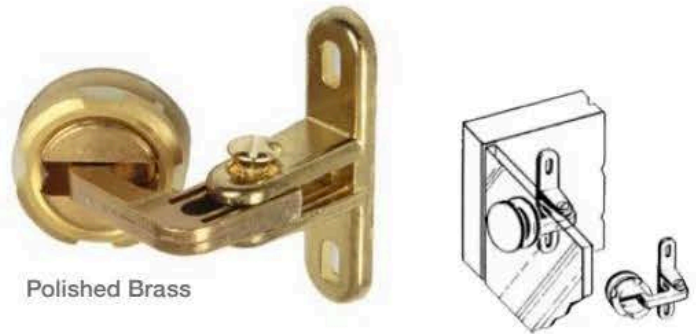
HALF OVERLAY
H913029

FULL INSET
H9130317

HGT3000

Inset Glass Door Hinge

Case member mounts separately and body passes through 3/4" diameter hole in door. Nylon liners protect glass from chipping. An elegant accent piece for 3/16" and 1/4" glass.
Door opens 105°-115°.
Solid Brass face in Polished Brass
Other finishes available to order.



Polished Brass

TK150

Glass Door Handles

Slide-on Steel glass door handle fits over adhesive rubber liner applied to the glass.

- TK150K** Polished Chrome for 3/16" glass
- TK150P** Polished Brass for 3/16" glass
- TK150S** Semi-Gloss Black for 3/16" glass

- TK15014K** Polished Chrome for 1/4" glass
- TK15014P** Polished Brass for 1/4" glass
- TK15014S** Semi-Gloss Black for 1/4" glass



TK150P
Polished Brass

MAGNASTRK

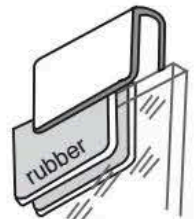
Strikes For Magnetic Latches

"U" shaped Steel sleeve fits over self-adhesive rubber liner applied to glass.

- MAGNASTRKK** Polished Chrome for 3/16" glass
- MAGNASTRKP** Polished Brass for 3/16" glass
- MAGNASTRKS** Semi-Gloss Black for 3/16" glass
- MAGNASTRKD** Antique Brass for 3/16" glass
- MAGNASTRK14K** Polished Chrome for 1/4" glass
- MAGNASTRK14P** Polished Brass for 1/4" glass
- MAGNASTRK14S** Semi-Gloss Black for 1/4" glass



MAGNASTRKK
Polished Chrome



See page 18
for Push Latch options

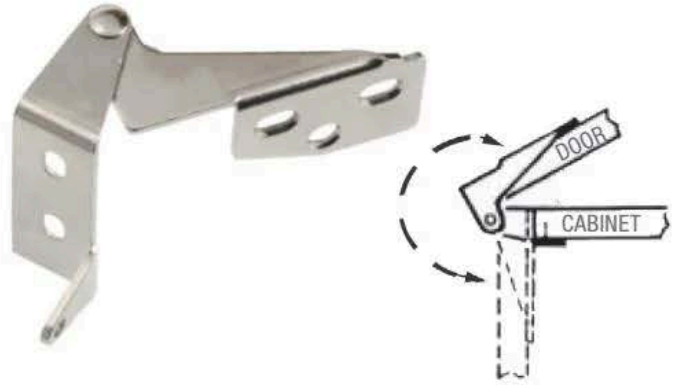
See page 94 for Lock
options for glass

HSG351

Top-And-Bottom Pivot Hinge

Top-and-Bottom Pivot Hinges

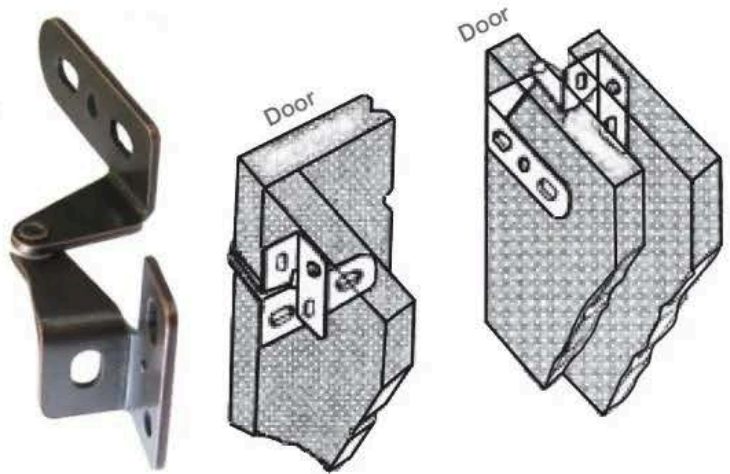
For kitchen cabinets and utility use. For doors up to 1 1/8" thick.
Cabinet plate: 1" wide x 1/2" long with mounting holes at 13/16" c/c
Door Plate: 1 1/16" wide x 1 7/8" long with mounting holes at 13/16" c/c
Nickel or Bronze Plated Finishes on 3/32" thick Steel.
Sold in pairs.



HJC380L

Through The Door Pivot Hinge

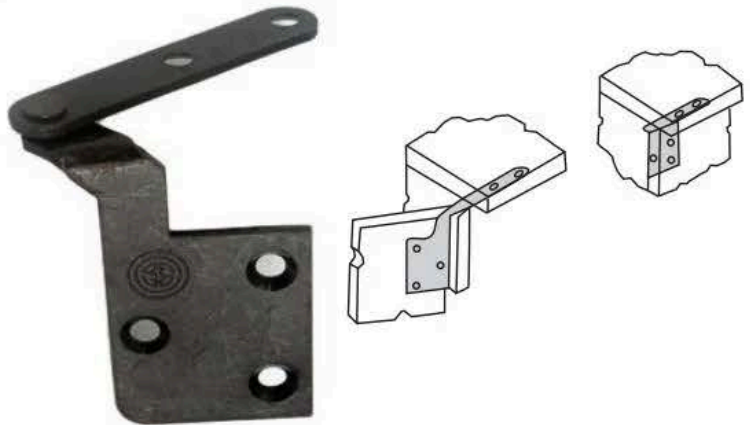
Opens 270° with 5/8" thick door, or 255° with 3/4" door.
Semi-invisible, only the tip shows.
Cut an angled 7/32" slot through the door.
Extra heavy 3/32" thick Steel for heavy doors.
Cabinet plate: 1 1/16" wide x 1/2" long with mounting holes at 7/8" c/c
Door plate: 3/4" wide x 2" long with mounting holes at 1" c/c
Bronze Plated. Paired, lefts and rights.



H273BGTL

Pivot Door Hinge

Pivot door hinge with all screws going into solid wood, avoiding end grain splitting.
Cabinet plate: 3/8" wide x 2" long with mounting holes at 7/8" c/c
Door plate: 1 1/8" wide x 1 1/2" long with mounting holes at 13/16" c/c
Holes are for #5 flat head screws.
3/32" thick Steel, Statuary Bronze.
Other finishes on special order.
Sold in pairs.



H1595, H163

Right Angle Deep Offset Hinges

Permits doors to be set back and swing clear of corner posts.

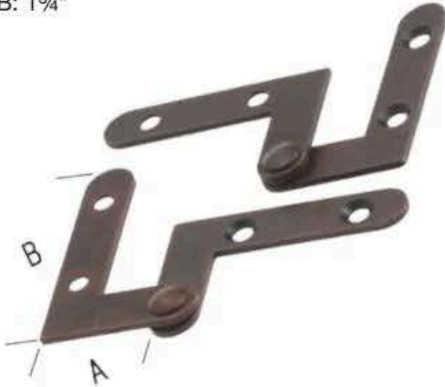
1/16" thick with mounting holes 3/4" c/c.

Steel, Statuary Bronze Finish.

Sold in pairs.

H1595 A: 3/4" B: 1 1/2"

H163 A: 1 1/8" B: 1 3/4"



H1602L

Center Pivoting Hinge

For revolving doors, top mount.

2" long x 3/8" wide x 3/32" thick.

Mounting holes are 3/4" c/c.

Socket requires 1/4" drilled hole.

Steel, Statuary Bronze Finish, **sold individually** with stamped socket. Solid Steel knurled socket on request.

Uses #4 screws (sold separately).



H273L

Angled Pivot Hinge

For top and bottom mounting.

2 1/4" long x 3/8" wide x 1/16" thick.

3 mounting holes, 3/4" c/c for #5 screws.

Steel, Statuary Bronze Finish.

Special order: Brass or Nickel Finishes.

Sold in pairs.



H602L

Rear Pivoting Hinge

Mounts on back of door.

2 1/8" long x 3/8" wide x 3/32" thick.

With vertical adjustment slot.

Mounting holes 1 1/4" c/c.

Uses #4 round headed screws.

Steel, Statuary Bronze Finish.

Socket requires 3/8" diameter drilled hole.

Sold individually with knurled Steel socket. Stamped Steel socket on request.

Ideal for swinging doors on trash receptacles like those used in today's fast food establishments.

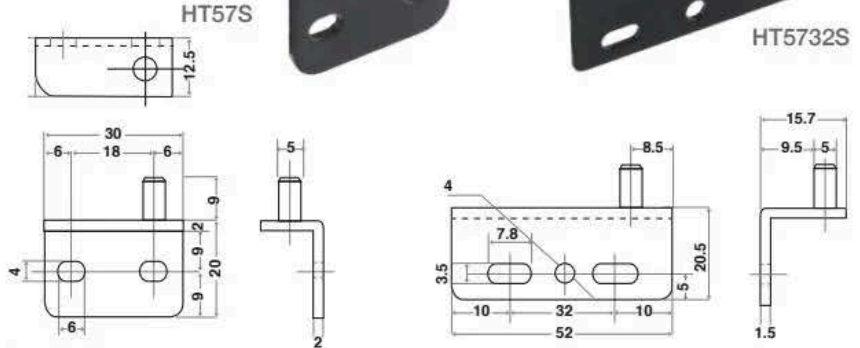
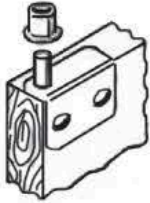
Knurled Socket



HT57
Concealed Pivot Hinges For Flush Doors

Steel pivot hinge with 9mm Nylon pivot bushing. Handed, lefts and rights for top and bottom mounting. Horizontal adjustability. Black Plated Finish.
Sold in pairs.

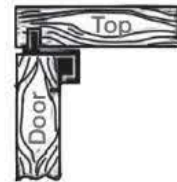
HT57S 18mm c/c
HT5732S 32mm c/c



H704U
Concealed Pivot Hinge For Flush Doors

Removable, Die-Cast metal mounting plates, 7/8" square with mounting holes 1/2" c/c. Fasten to top and bottom of door back. Pivot section fastens to plate with machine screw. No machining of the wood, just a 5/16" diameter hole for the Nylon bushing. Adjusts 3/16" side-to-side and 1/8" front-to-back.

Unhanded.
Nickel Plated Finish.
Sold individually.

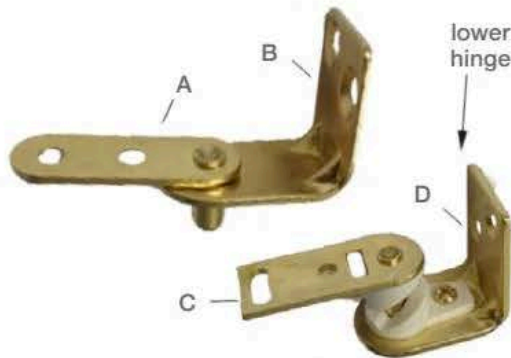


HTC8479P
Cafe Door Hinge

Hinges for a pair of swinging cafe doors. The lower hinge pivots on Nylon ramps that allow the door to return to neutral position once opened. Allow for 7/16" raise in door height to compensate for pivot when opening.
Sold in sets of 8 pieces, enough for 2 doors.
Screws included.

Brass Plated Finish.

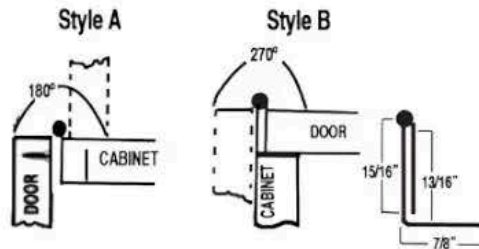
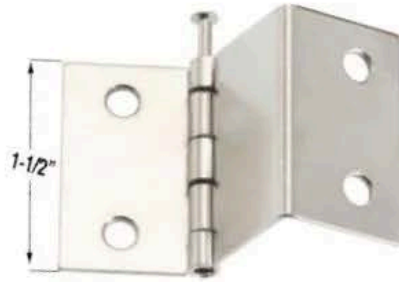
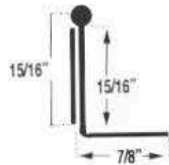
- A: 1 7/8" long x 5/8" wide
- B: 1 3/8" tall x 1" wide x 1 17/32" deep
- C: 2" long x 1 13/16" wide
- D: 1 5/8" tall x 1" wide x 1 17/32" deep



H98
Multi Purpose Reversing Hinge

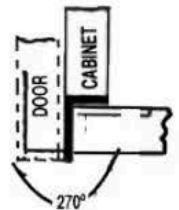
Two hinges in one! A unique loose-pin hinge that changes from a flush inset door hinge (style "A") to an overlay door hinge (style "B") by removing the pin and reversing the small leaf. Inset door opens 180° and overlay door opens 270°.
.054 Steel in Brilliant Nickel or Brass Polished finishes. Bronze Finish available on special order.

Also available:
H98TIGHTP Tight Pin in style "A"
Bright Brass Finish



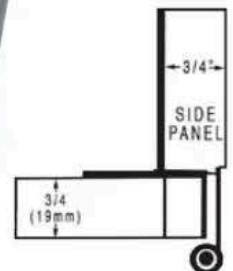
HSG30704P
Modern Elegance In Solid Brass

A contemporary accent in a slim-line rugged hinge. Recesses into edge of door for a sleek look. 270° opening for doors 5/8" - 3/4" thick. 1 19/32" high, Extruded Brass in a Hand Polished finish.



HJC3264
Titan Extra Heavy Duty Institutional Hinge

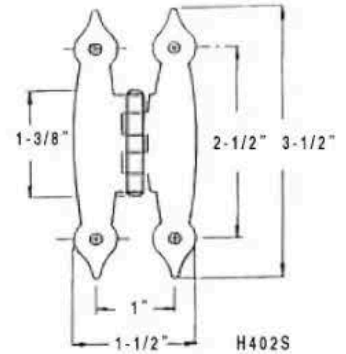
For commercial, industrial, educational and hospital installations. Adjustable screw holes: horizontal and vertical. Five-knuckle precision assembly. Rounded tips and corners for safety. 32mm screw hole spacing, 270° opening. 2.5mm (.098) hardened Steel. 2 3/4" long for 3/4" (19mm) thick doors and 3/4" (19mm) thick side panels. Stocked in High-Gloss Polished Brass, Matt Black Powder Coated and Brushed Chrome finishes. Other finishes and versions for thicker doors and sides available on special order.



H402
Hammered Iron "H" Hinges

Spade-End Colonial "H" hinges.
For Early American and Traditional furniture.
Holes for #6 pyramid head screws which are supplied with hinges.
Hammered Steel, Black finish.
Antique Brass or Antique Copper are available on special order.

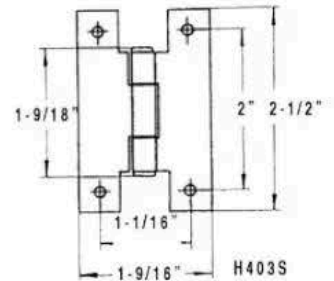
- H402SMS** 2 1/2" long x 1 1/4" wide
- H402S** 3 1/2" long x 1 1/2" wide



H403 / H405
Flat Steel Flush "H" Hinges

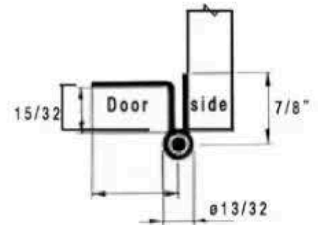
Square end "H" hinges in semi-gloss black finish.
For Shaker, Mission or Contemporary style furniture.
Holes for #6 screws which are supplied with hinges.

- H403S** 2 1/2" long x 1 9/16" wide (2 holes per leaf)
- H405S** 3" long x 1 9/16" wide (3 holes per leaf)



HX21SS
Institutional And Hospital Hinge

.098 gauge Stainless Steel for sustained heavy-use applications.
Vertical adjustment on door member. Radiused barrel-ends for safety.
2" high, Satin Stainless finish.



H302P
Desk Chair Swivel-Back Hinge

Enables back to automatically adjust to the proper angle for comfort and good posture. Unique tight-lock friction disc holds back firmly.
Narrow mounting leaves (only 1/2" wide x 1 1/4" long) will fit thin frames. Uses #6 screws. Polished Brass on Heavy Duty Steel.



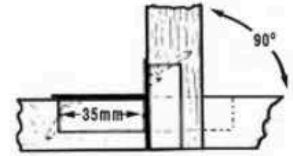
H32435

90° Opening • All-Metal Adjustable Drop-Flap Hinge

For heavier flaps. 6-way adjustable. Detachable for separate mounting on flap and shelf. Flap opens flush with shelf. Lipped edging conceals roughness of bore. No routing or mortising. Drill 35mm hole. 11mm (7/16" deep) and 9mm (11/32") from edge. Boring setup is identical on both parts. All-Metal, Nickel or Statuary Bronze Finishes. Supplied with screws.



Nickel



HKOMPAC

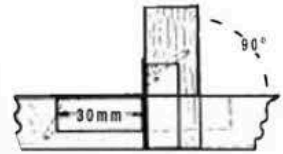
90° Opening • Nylon Drop Flap Hinges

Flap opens flush with inside shelf. Fits flush in door and shelf surfaces. Completely concealed from exterior. Uses 30mm Forstner or flat boring bit 5mm from edge of panel. White, Brown or Black Nylon with Steel and Brass linkage.

- HKOMPAC8 5/16" thick for 5/8" wood
- HKOMPAC11 7/16" thick for 3/4" wood



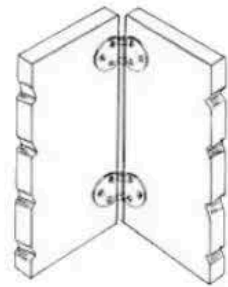
Black



H200130

Folding Door Hinge

For folding wardrobe or chest doors. May be flush mounted into a drilled hole 1/16" deep x 30mm diameter, drilled 6mm off center. May be surface mounted without machining. Open size: 1 15/16" long x 1 3/16" wide (49mm x 30mm) .065 gauge. Uses #6 or #7 FH countersunk screws. Steel, Nickel, Bright Brass or Bronze Plated Finishes.



HOF Series

Office And General Heavy Duty Hinges

Single Door Hinges

HOF630SN	Overlays 7mm	opens 235°
HOF631SN	Overlays 7.5mm	
HOF632SN	Overlays 8.5mm	
HOF731SN	Overlays 13mm	opens 270°

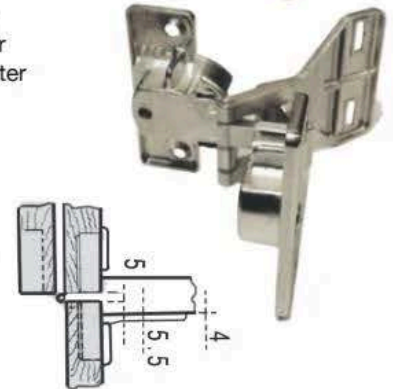
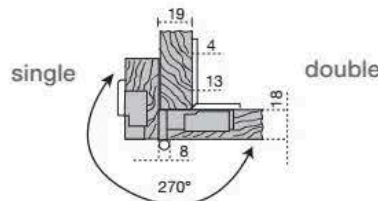
Double Door Hinges

HOF630DN	Overlays 7mm	opens 180°
HOF632DN	Overlays 8.5mm	

All single and double door hinges are also available for 4-6mm glass doors with rectangle decorative cover plates

Available hole patterns:
Italian: 48mm c/c, 6mm behind center
Blum: 45mm c/c, 9.5mm behind center
Hettich: 52mm c/c, 5.5mm behind center

Material: Heavy Die Cast Zinc Alloy
Finish: Satin Nickel (standard)



HCIG1P

Hinge For Specialty Boxes

Hinge designed for cigar humidors, jewelry boxes, and music boxes.
Countersunk for #3 flat head screws.

1 1/2" high x 1 5/8" wide

Solid Brass, Polished

Supplied with screws.



H5160

Box Hinges With Stay

Ideal for jewelry boxes or humidors.

Opens 90°.

1 1/2" high x 1 1/4" long

H5160SPL 5mm wide

H5160BPL 6mm wide

Supplied with screws
Polished Brass Plated



HTIPOUTHINGE

Tip Out Hinge For Sink Tray

This hinge allows the panel on the cabinet in front of a kitchen sink to tip out up to 45°. Allows a small tray to be installed on the back of the panel for storing small items.

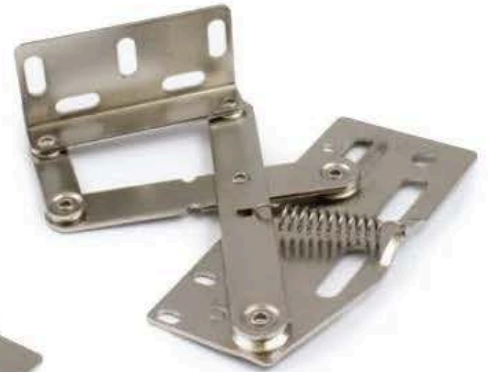
Maximum opening angle is adjustable up to 45°.

Hinge: 4 3/8" long x 1 3/4" wide

Plate: 2 13/16" high x 1 3/4" wide

Sold in pairs

Nickel Plated Steel



Shutter Hardware

Hinges And Holders

Supplied with two right handed hinges and two left handed hinges.

HS1116BULK For wood, Black or Galvanized Finish.
Pintle included

HS218BULK For brick, Galvanized Finish
Pintle included

HS718S Shutter holders, Black Finish



HS218BULK
Shutter Hinges



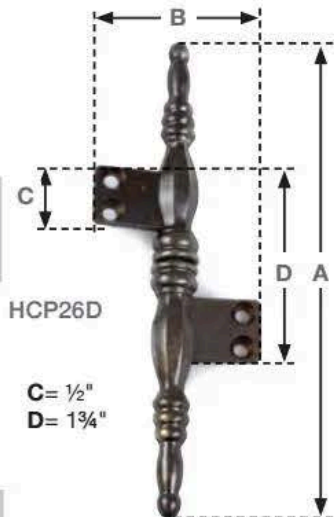
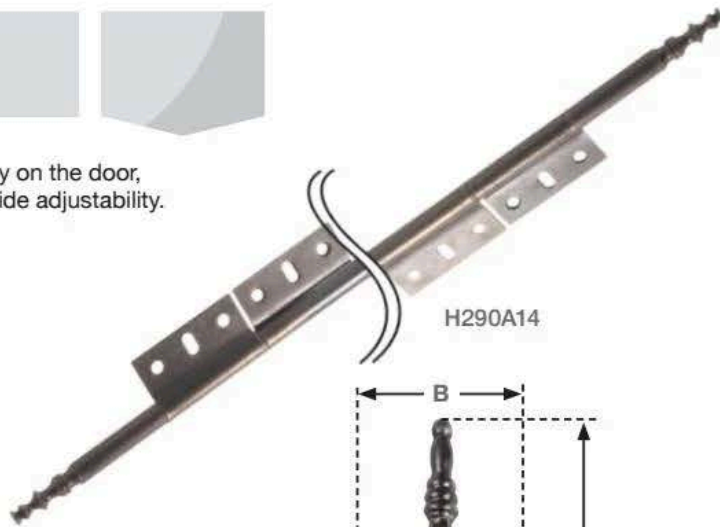
HS718S
Shutter Holders

H290A

Traditional Parliament Hinges

Centered in-line leaves require mortising only on the door, not on the cabinet. Unique center slots provide adjustability. Strong Steel (not porous castings). Antique English or Bright Brass Plated. Handed rights and lefts.

- H290A6** 6" long, each leaf 1½" x 7/8"
- H290A9** 8" long, each leaf 2" x 7/8"
- H290A14** 14" long, 2 sets of leaves
- H290A24** 24" long, 2 sets of leaves
- H290A39** 39" long, 3 sets of leaves
- H290A60** 60" long, 3 sets of leaves



HCP26D

Mediterranean Lift-Off Hinge

Diminutive lift-off hinges with leaves. No boring required. Antique English Plated. Handed rights and lefts

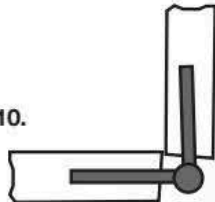
- A= 4¾"**
- B= 1½"**
- C= ½"**
- D= 1¾"**

H55

Knock-In, Lift-Off Hinges

- H5567** (2¾" long) Finial Tipped
- H55110** (4¾" long) Finial Tipped

Barrel diameter: 11/32"
Threaded pins: 7/32" diameter x 15/16" long.
Anti-skew nail on bottom section of **H55110**.
Steel, Bright Brass or Bronze Finishes.



H5014

Knock-In, Lift-Off Hinges

Heavy duty for institutional and industrial applications. Upper section has locking set-screw to prevent indiscriminate lift-off. 1½" long x 9/16" barrel diameter. Threaded pins: 5/16" diameter x 19/16" long. Steel, Statuary Bronze or Nickel Plated Finishes.



H400032

Knock-In, Lift-Off Hinges

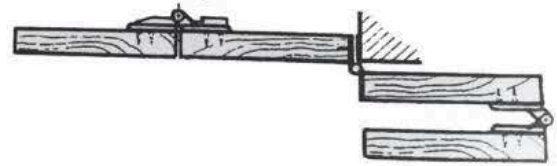
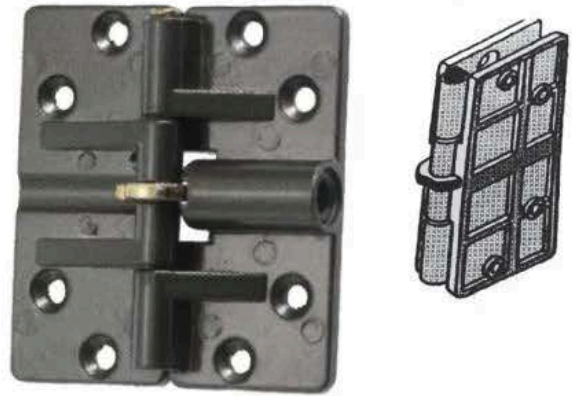
1 1/8" long
Barrel diameter: 5/16"
Threaded pins: 7/32" diameter x 15/32" long.
Steel, Polished Chrome or Statuary Bronze Finishes.



HS8303L
Double-Locking Bi-Fold Hinge

A Selby Best Seller!
The answer to bi-fold door problems!
Automatically locks flat in the open position so door remains straight and can engage magnetic or friction catches when doors are folded to eliminate "bounceback".

Now with three positive stops. Locks at 0°, 180° and stops again at 135°.
Die-Casting with Nylon and Brass Plated Steel spring mechanism.
2½" wide x 2⁹/₁₆" high x ½" thick, for minimum stile width of 1½".
Countersunk for #6 screws.
Dark Brown Powder Coated Finish.



MD1000Z
Bi-Fold Door Hold Back Clip

Eliminate "bounce back" on bi-fold cabinet doors to ensure full easy access to general liquor, equipment or storage cabinets.

Nylon striker with incorporated screw and spring Steel locking clip.
Economical and easy to install. It can also be used to hold back shutters or as a door catch.
White Nylon striker ½" diameter.
Nickel Plated Steel clip: ½" x 9/16".

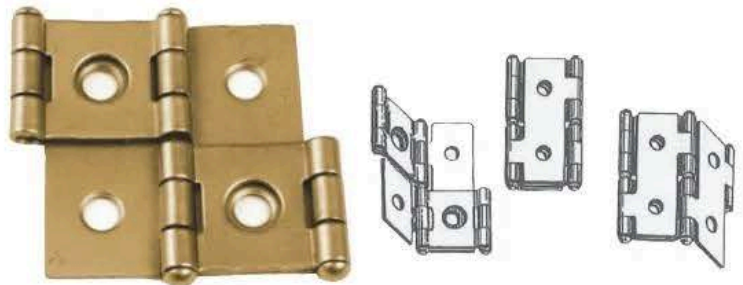


H551
Double-Acting Folding Screen Hinges

Precision-made Steel.
Screen hinges open in two directions, in and out.
Countersunk for #7 flat head screws.
Polished Brass Finish.

H55134P	.048 Steel	1 ¾" long	For ¾" panels
H551118P	.058 Steel	1 7/8" long	For 7/8" - 1" panels
H551P	.058 Steel	2" long	For 1 1/8" - 1 1/4" panels

¾" panel size also stocked in Satin Chrome Finish.



Flat Piano Hinges

Standard Light Gauge (for general use)

Knuckle Length: $\frac{5}{8}$ ", Hole Spacing: $2\frac{3}{8}$ "

Sold in 6 foot lengths, packed in bundles of 10. (600-feet per case).

H1116LWL 1 $\frac{1}{16}$ " Open Width, Bronze Plated
H1116LWN 1 $\frac{1}{16}$ " Open Width, Nickel Plated
H1116LWP 1 $\frac{1}{16}$ " Open Width, Brass Plated

H114LWL 1 $\frac{1}{4}$ " Open Width, Bronze Plated
H114LWN 1 $\frac{1}{4}$ " Open Width, Nickel Plated
H114LWP 1 $\frac{1}{4}$ " Open Width, Brass Plated

H112LWL 1 $\frac{1}{2}$ " Open Width, Bronze Plated
H112LWN 1 $\frac{1}{2}$ " Open Width, Nickel Plated
H112LWP 1 $\frac{1}{2}$ " Open Width, Brass Plated

H2INLWL 2" Open Width, Bronze Plated

1 $\frac{1}{16}$ " open is .032 gauge, 1 $\frac{1}{4}$ " open is .035 gauge,
 1 $\frac{1}{2}$ " & 2" open is .036 gauge

U.S. Specification Heavy Gauge

Knuckle Length: $\frac{1}{2}$ ", Hole Spacing: 2"

Sold in 6 foot lengths, packed in bundles of 10. (600 feet per case).

H1116HWL 1 $\frac{1}{16}$ " Open Width, Bronze Plated
H1116HWN 1 $\frac{1}{16}$ " Open Width, Nickel Plated
H1116HWP 1 $\frac{1}{16}$ " Open Width, Brass Plated

H114HWL 1 $\frac{1}{4}$ " Open Width, Bronze Plated
H114HWN 1 $\frac{1}{4}$ " Open Width, Nickel Plated
H114HWP 1 $\frac{1}{4}$ " Open Width, Brass Plated

H112HWL 1 $\frac{1}{2}$ " Open Width, Bronze Plated
H112HWN 1 $\frac{1}{2}$ " Open Width, Nickel Plated
H112HWP 1 $\frac{1}{2}$ " Open Width, Brass Plated

H2INHWL 2" Open Width, Bronze Plated
H2INHWN 2" Open Width, Nickel Plated
H2INHWP 2" Open Width, Brass Plated

All widths are .040 gauge except for 2" open width which is .045 gauge.

1 $\frac{1}{16}$ " open width uses #4 screws
 1 $\frac{1}{4}$ " & 1 $\frac{1}{2}$ " open width uses #5 screws
 2" open width uses #6 screws



Coiled Piano Hinges

Hinges by the Yard! No Waste!

Handy to use 100 ft. coils. .032 gauge Cold Rolled Steel. Countersunk screw holes on $2\frac{3}{8}$ " centers.

Stocked sizes

HQG114CLL 1 $\frac{1}{4}$ " Open Width, Bronze Plated
HQG112CLN 1 $\frac{1}{2}$ " Open Width, Nickel Plated
HQG112CLP 1 $\frac{1}{2}$ " Open Width, Brass Plated

Special order sizes

HQG1116CLL 1 $\frac{1}{16}$ " Open Width, Bronze Plated
HQG1116CLN 1 $\frac{1}{16}$ " Open Width, Nickel Plated
HQG1116CLP 1 $\frac{1}{16}$ " Open Width, Brass Plated
HQG112CLL 1 $\frac{1}{2}$ " Open Width, Bronze Plated
HQG114CLN 1 $\frac{1}{4}$ " Open Width, Nickel Plated
HQG114CLP 1 $\frac{1}{4}$ " Open Width, Brass Plated
HQG2CLL 2" Open Width, Bronze Plated
HQG2CLN 2" Open Width, Nickel Plated
HQG2CLP 2" Open Width, Brass Plated



HQG114CLP

H931
Light Narrow Butt Hinges

Tight pin, non-swaged.
Steel, Brass, Statuary Bronze, or Nickel Plated

Part #	Length	Width Open	Steel Gauge	# of Holes
H931112	1½"	1½"	.035	4
H931134	1¾"	1 ⁹ / ₁₆ "	.040	4
H9312	2"	1 ³ / ₈ "	.040	6



H666
Light Narrow Butt Hinges

Tight pin, full swaged, Steel.
Dimensions and finishes below.

Part #	Length	Width Open	Steel Gauge	# Of Holes	Finish
H6661	1"	1"	.042	4	Brass
H666112	1½"	1 ⁷ / ₁₆ "	.045	4	Brass
H6662	2"	1 ⁹ / ₁₆ "	.053	4	Brass, Zinc
H666212	2½"	1 ¹¹ / ₁₆ "	.055	6	Brass, Zinc, Antique Brass, Bronze
H6663	3"	2"	.058	6	Brass



HF1001
Equal Leaf Butt Hinge

2" height, 2" width, ¼" knuckle diameter
.055 Cold Rolled Steel.
Unswaged tight pin.
Brass or Bronze Plated.
Other sizes, swagings, finishes or finial tips available on special order.



H466P
Rising Butt Hinge

Raises the door over uneven floors or carpeting. Eliminates scraping at bottom. Pitch of hinge makes door easy to close.

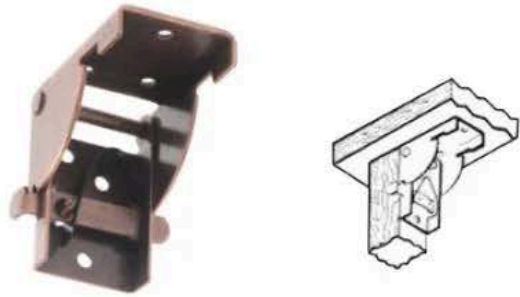
Both hinges on door must be pitched the same.
4" long x 3" wide.
Clearance required: 9/16"
.125 Cold Rolled Steel, Brass Plated

Right handed shown
Left handed also available



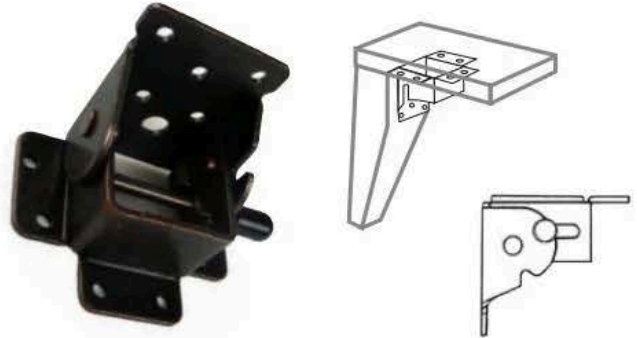
S149L
Folding Leg Fitting

The old card table hinge, now for more popular use on folding tables for gatherings and for use on long extension tables where it is necessary to provide additional support legs. Folds legs up underneath when not in use. Spring-activated trigger-release provides positive locking in both open and closed positions. Accommodates 1½" square leg without cutting or shaping. Steel, Bronze Plated, unhande



H65800L
Heavy Duty Folding Leg Fitting

The H65800L projects leg fittings into the real heavy-duty area. It has no limit on the size of the leg! The rugged construction will hold up heavy legs or folding shelves. Spring-activated trigger-release provides positive locking in both open and closed positions. Steel, Bronze Plated, unhande



H278L
Drop-Leaf Hinge

Back-flap hinge, countersunk on flat side. Unequal leaf. 3" long x 1¼" wide. Steel, Statuary Bronze Finish.



H417L
Drop Flap Hinge

Provides a square corner on a drop-flap. Eliminates costly shaping of the edges. Requires small mortise under table top. Fully concealed. Handed, lefts and rights, sold separately. Heavy Gauge Steel, Bronze Plated.



HO79P / HO81P
Folding Flap Hinges

For folding table flaps or to shorten projecting shelves. Used to store table leaves under table top by folding in half. Requires mortising into the wood. Unhande



HO79P ¾" thick wood
HO81P 1¼" thick wood

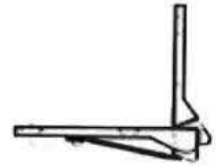
H3640

Butler Tray Hinges

Authentic reproduction English Butler Tray Hinges lock open in flat position, and hold vertical at 90°.

H3640RDP Solid Brass, Round Ends, Satin Finish.
3" long x 1 1/2" wide

H3640SQP Solid Brass, Square Ends, Satin Finish.
2 1/2" long x 1 1/2" wide



H15050 / H116

Flip-Top Table Hinges

Solid Brass, Opens 180°, closes flush.
Polished Brass Finish

H15050 (Narrow) 2 3/4" long x 1/2" wide

QH15050LGP (Narrow) 3" long x 1/2" wide

H116 (Wide) 2 3/4" long x 1 3/16" wide
Also available Chrome Plated



H205

Flap Hinge / Sewing Machine Hinge

3 1/4" long by 1 3/16" wide.
Steel, Statuary Bronze or Brass Plated Finishes.

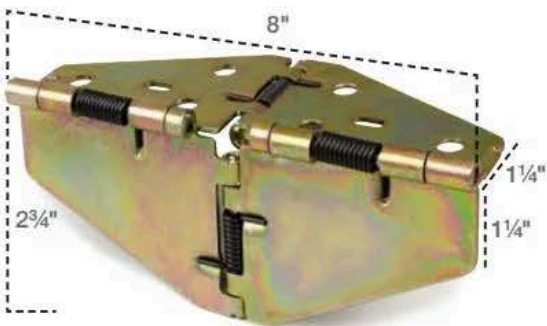


Bronze

Brass

H899P

Restaurant Table Hinge



**Turn a square table
into a round table**
58% increase in surface area!

Heavier Steel. Stronger spring-Steel holdup clip to hold up heavy leaves. Precision assembly for durability and ease of function. Tighter fitting of the coils to ensure flat opening. Peening of ends to lock pins in place.

Sold in sets of 8 hinges complete with special deep thread wood cutting screws.

F567
Swivel Mirror Screws

Insert the nut into the mirror frame and pass the bolt through a passage hole in the post. Tighten the bolt to hold the mirror at any desired viewing angle. 3½" long Steel bolt supplied with 9/16" long Brass nut. The head of the nut is an additional 3/16" thick, serving as a washer. Bushing requires ¾" diameter drilled hole. Sold in sets of 10 (20 pieces per package)

F567DBAG Antique Brass Finish
F567PBAG Polished Brass Finish



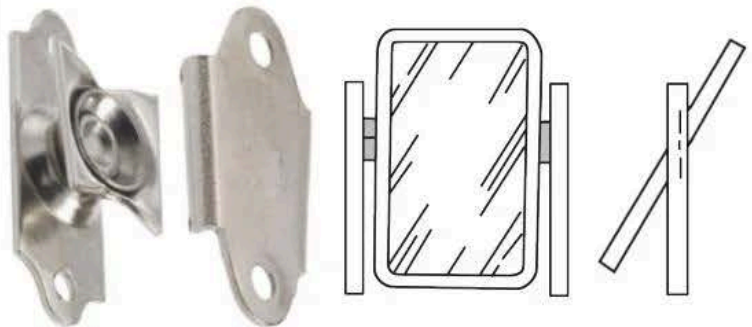
X117
Mirror Pivot Hinges

Wedge Mounting Brake On Movement. Brake-action pivots for mirrors on vanities and cosmetic showcases. Wedge-action mounting permits tight, secure fastening and easy removal.

1 11/16" long x 1 3/16" wide x 7/16" thick.

Sold as individual sets. 2 sets required per mirror.

Nickel Plated or Brass Plated on Hardened Steel.



S135
Mirror Pivot Hinges

Rear Mount Brake On Movement. Similar to X117 above but with right-angle mounting brackets to fasten from the rear. Adapted for "hidden pillars".

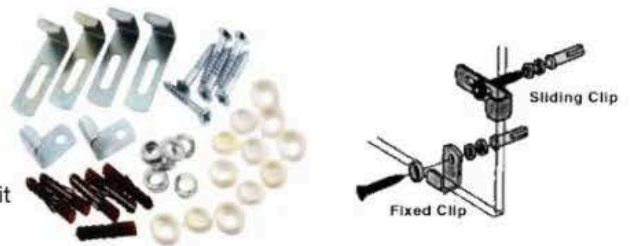
1 ¼" long x 1" wide x 7/16" thick. 1 pair required per mirror.

Handed and sold in pairs. Hardened Steel. Brass Plated.



XMF726
Mirror Hanger Set

Mirror clip set. Set consists of 2 fixed bottom clips, 4 adjustable side/top clips, hollow-door screw plugs, washers, screws, and screw covers. Side clips are slotted to permit centering of mirror. Packaged in complete sets, 100 sets per box.



XHW0499
Clear Mirror Clip

Plastic, Transparent. Stocked in clips for 1/8" or 3/16" thick glass. Clips for 1/4" glass available on special order. Fastens with #6 flathead screw (not included).



XMH111CORNER

Corner Cabinet Pullout With Hidden Wire Baskets

This fantastic device helps save space by hiding baskets in a cabinet that sits in a corner, where there seems to be no room for doors to pull out. Opening door pulls out one side, and our hardware slides the outer basket over and out to provide easy access to the inner basket. Ball bearing slide included. Inner height of cabinet should be over 550mm. Available for door panel width from 400mm to 450mm.

Outer baskets: 17" long x 3" tall x 14" deep, Inner baskets: 16¼" long x 3" tall x 9½" deep

Same installation process but with different directions for right and left hand side.

Remark: always put lighter load on upper basket and heavier load on the bottom.

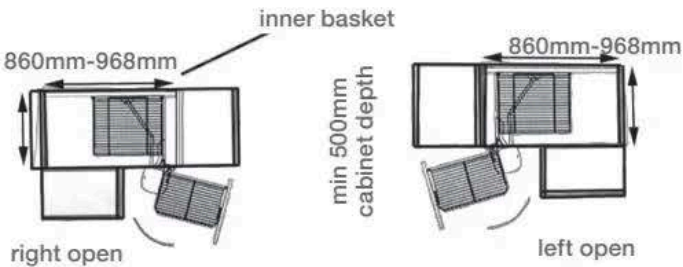
Screw connection bar on first hole if cabinet depth > 500mm.

Load capacity: outside wire baskets 18 lbs and inside baskets 33 lbs.

No lefts or Rights. Cabinet not included.



Cabinet not included



Cabinet not included

XFJ

Soft Close Pullout Bins

Space saving mechanism pulls out of the cabinet on under mounted soft closing slides. Comes as a single or double pull out bin.

XFJ1321 Single

The pullout basket has room for one 16¼" tall x 8¼" wide x 10 ⅞" deep bin that is provided.

Basket: 14 ⅝" tall x 9 ⅞" wide x 19 ¾" deep.

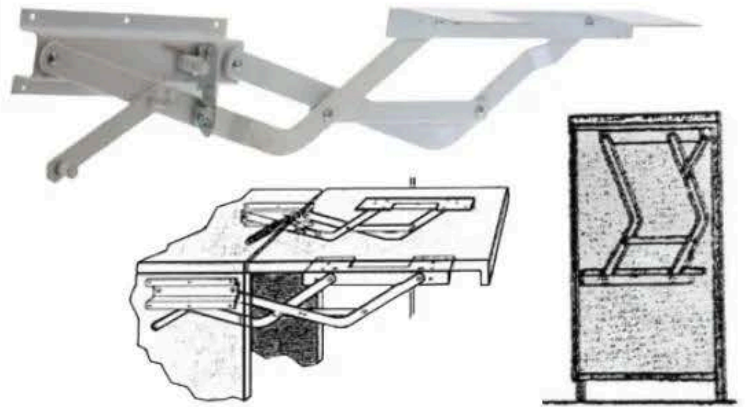
Space left over in the front of the basket: 8 ¾" wide x 9¼" deep.

Blue Rigid Plastic Bin with lid included.



X35842
Appliance Lifter

All-Steel spring-controlled pantograph mechanism to lift blenders, slicers, and other heavy appliances from inside cabinet and place them at working height. Automatically locks in the raised position. Automatically lowers when the lock is released.
Usable height: 15½" (inside cabinet)
Min cabinet depth: 19" (front-to-back interior)
Max shelf depth: 16" (no maximum on width)
Max recommended load is 44 lbs.
Durable .125 Steel
White Powder Coated Finish



XWD19036
Overhead Pull Down Baskets

Ideal for storage above the fridge, sink or cabinets in hard to reach high places. It stands with two vertical 28" long x 8⅝" deep storage baskets that can be pulled down 90° with a handle so the top basket is accessible.
The locking mechanism clicks and holds the basket in place when the baskets are pulled down, and it is released with a slight pull.
Whole unit is 31 ⅞" long x 18 ⅞" tall x 10" deep.
Bracket that secures onto surface is 9 ¼" long.
The vertical distance from bottom of lower basket to bottom of upper basket is 10 ½".
For above refrigerator cabinets or sinks at least 36" wide.
Chrome Plated Steel

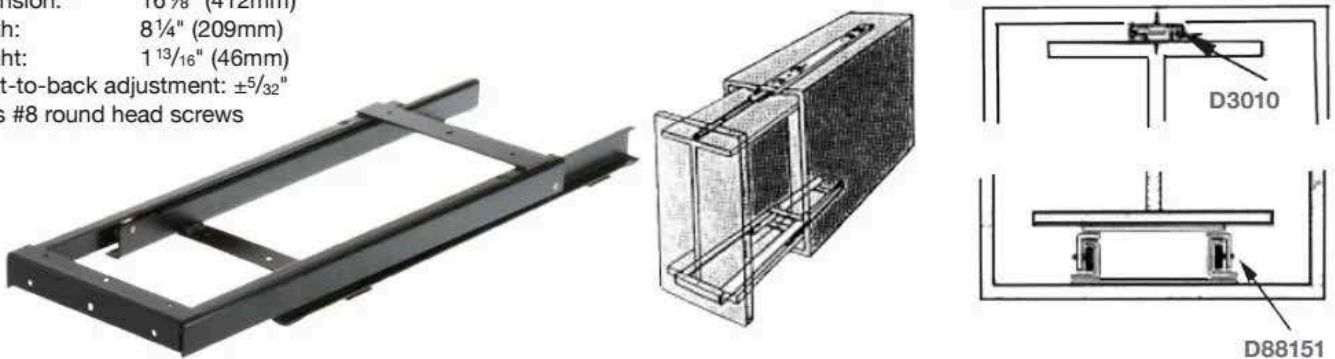


D88151
Kitchen Cabinet Pullout

Quietly rolls on four special 15/16" (24mm) Steel rollers for easy access to canned goods or other heavy storage items.
Constructed of 5/32" Cold-Rolled Steel. Used for loads up to 210 lbs.
Black, Epoxy-Coated

Length closed: 20 5/16" (516mm)
Extension: 16 7/8" (412mm)
Width: 8 1/4" (209mm)
Height: 1 13/16" (46mm)
Front-to-back adjustment: ±5/32"
Uses #8 round head screws

Note: On tall cabinets, a **D3010** (See page 24) or similar slide is mounted at the top to control lateral motion



KSWIRL Series Super Strong Cam Assembly

Locking the cam is accomplished with a #5 or #6 Allen wrench.
The KSWIRL provides a steady, even closing force instead of the conventional one-point wedge.
 The eccentric motion draws the boards together tightly and firmly.

Vibration will not loosen the joint!

Cover Cap
38.5mm O.D.



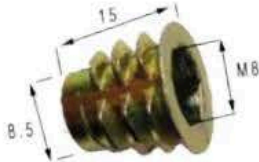
Caps available in Metal (Nickel Plated) and Black Nylon

Cover Cap
28mm O.D.



All Dimensions In Millimeters

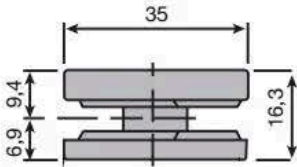
M8 NUT



M6 NUT

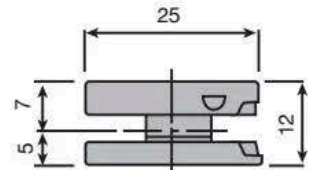


KSWIRL35



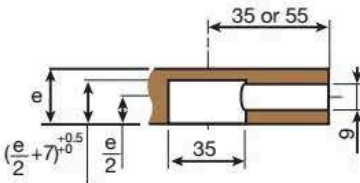
1 3/8" (35mm) diameter for panels 3/4" to 1 3/8"

KSWIRL25



1" (25mm) diameter for panels 5/8" to 1"

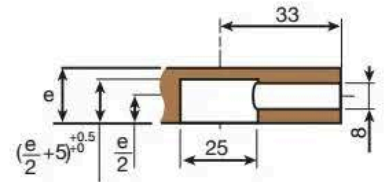
K11358 / K11356



K11558



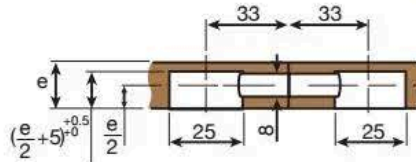
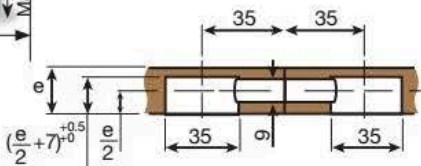
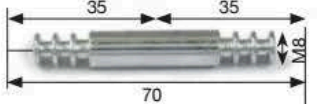
K520133



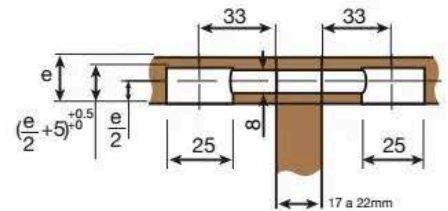
K528133



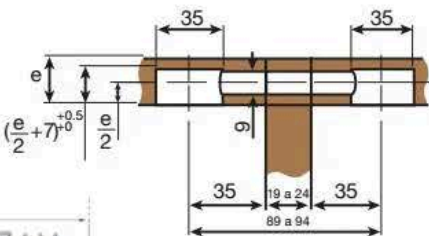
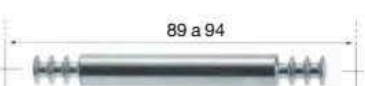
K3535



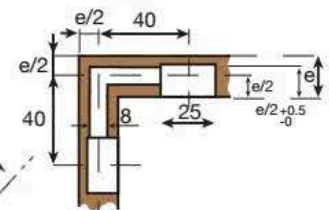
K528233



K522489



K528333



Versatile "Mini Lok" Assembly Fittings

Die Cast Eccentric Discs fit into hole on horizontal member. Dowels fastened to the side wall enter the horizontal member through a side hole and fasten with a twist of the screwdriver! Die Cast discs are 15mm diameter in two lengths for 5/8" and 3/4" wood. Patented grippers on the dowel and inside the disc ensure a solid, non-slip joint. Tighten with flat or Phillips screwdrivers or #4 Allen wrench. Nickel or Bronze Finishes.

Discs:

- KT5106612** Die Cast metal disc 12mm long for 5/8" wood
- KT5106715** Die Cast metal disc 15mm long for 3/4" wood

Dowels:

- KT51068** Steel dowel with wood screw for direct insertion
- KT51069** Steel dowel with M6 machine thread to screw insert into bushing
- KT51070** Articulated Steel dowel for horizontal angled joining

Bushings:

- KT82P** Brass expansion bushing (12mm long x 8mm diameter) M6 thread
- PT78W** Nylon bushing (11mm long x 10mm diameter) M6 thread



KT51072 Mighty-Mite "Mini-Mini" Loks

Aesthetic, unobtrusive, only 10mm diameter but very, very strong! Three sizes for woods 1/2" to 3/4" thick. Tighten with flat or Phillips screwdrivers or #3 Allen wrench. Nickel Finish.

Die Cast Metal Discs:

- KT5107211** For 1/2" wood
- KT5107212** For 5/8" wood
- KT5107214** For 3/4" wood

Steel Dowels:

- KT5107429** With #8 wood screw end
- KT5107332** With M6 thread machine screw

Bushings:

- PT78W** Nylon bushing
- KT82P** Brass expansion bushing



KE25 Original Thin Eccentric Locking Discs With Dowels

Die Cast metal discs 25mm diameter by 12mm thick for 5/8" - 3/4" wood joining. Tight joint obtained with a 90° turn with a flat screwdriver. Brown or White plastic covers.

- KE25DISC** 25mm diameter eccentric cam
- KE25DU60U** 1 disc with M6 thread machine screw dowel and PT78W Nylon bushing
- KE25DU88U** 2 discs with a straight double sided dowel
- KE25DU75RA** 2 discs with a double sided 90° dowel for right angle joint



KI525 Self-Expanding Bolts

This bolt saves substantial assembly time for KD furniture. Available for 24mm and 34mm drilling centers. For 5mm or 10mm drilling on the vertical panel. It can be fitted or removed from its housing by hand, tool free. To be used with the **KT5106612** or **KT5106715** eccentric discs shown above.

- KI525224** 24mm x 5mm expanding dowel
- KI525234** 34mm x 5mm expanding dowel
- KI525424** 24mm x 10mm expanding dowel
- KI525434** 34mm x 10mm expanding dowel



Knock Down Fittings And Assemblies

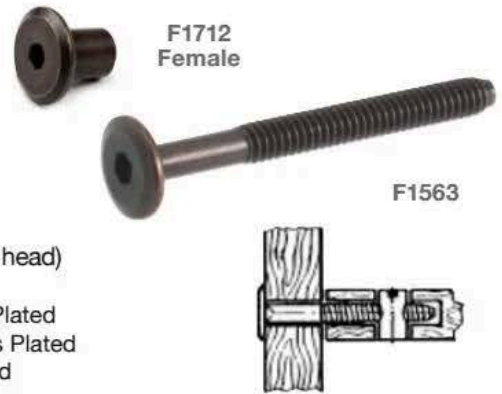


F15 Steel Bolts

Allen "15" Connecto-Lock Bolts

1/4-20 threads to fit Selby KGB barrel nuts for rapid secure joining. Head is 15mm diameter x 3/32" thick. 4mm hex recesses in Steel bolts. Also available 60mm long with 17mm diameter head. Female version is also available in 15mm and 17mm head diameter.

- | | | | |
|--------------|---|--------------|--|
| F1525 | 1" long, Black Plated | F1760 | 2 1/2" long
(1/4 - 20 x 17mm diameter head)
Black or Nickel Plated |
| F1532 | 1 3/16" long, Brass, Antique Brass, or
Bronze Plated | F1576 | 3" long, Bronze or Brass Plated |
| F1540 | 1 5/8" long, Brass, Antique Brass, or
Black Plated | F1590 | 3 1/2" long, Bronze or Brass Plated |
| F1551 | 2" long, Bronze or Brass Plated | F1712 | Female part, Bronze Plated |
| F1563 | 2 1/2" long, Bronze or Brass Plated | | |



KGB Nuts

Steel Barrel Nuts

1/4 - 20 threaded to mate with Allen "F15 Steel Bolts" (see above), and standard 1/4 - 20 socket head bolts. Slot is parallel to hole to line up with inserted bolt. Supplied with holes centered on barrel or off-center (1/4" from bottom). 1/4 - 20 thread x 3/8" diameter or 5/16 - 18 thread x 1/2" diameter

Part #	Length	Thread	Diameter	Hole Location
KGB90U	7/16"	1/4 - 20	3/8"	In Center
KGB96U	3/4"	5/16 - 18	1/2"	In Center
KGB97U	9/16"	1/4 - 20 or M6	3/8"	In Center
KGB97EX	9/16"	1/4 - 20	3/8"	Off Center
KGB98U	3/4"	1/4 - 20	3/8"	In Center
KGB98EX	3/4"	1/4 - 20	3/8"	Off Center



Panel Connecting Screws With Cover Caps

Knife-edge threads hold in flakeboard or solid wood.

Part #	Body Diameter	Length	Head Type	Finish
K1531740	5mm	1 5/8"	Allen #4	Unplated
K71025770	7mm	2 3/4"	Allen #5	Unplated
K1531638	7mm	1 1/2"	Pozi Drive	Zinc
K1531450	7mm	2"	Pozi Drive	Zinc
K71025838	8mm	1 1/2"	Allen #5	Bronze
K71025845	8mm	1 3/4"	Allen #5	Bronze

Cover caps in assorted colors. Available for 7mm & 8mm.



See page 134 for Duplex Drill Bits

Allen Wrenches

Low Priced Steel Wrenches

#4 Allen Wrench fits the Allen "15" Connecto Locks and the K71025 / 700 series.
#5 Allen Wrench fits the K71025 / 800 series

- | | | | |
|-------------------|-----|-------------------|-----|
| F580ALKEY3 | 3mm | F581ALKEY5 | 5mm |
| F580ALKEY4 | 4mm | F586ALKEY6 | 6mm |



Decorative Covers For Exposed Screws

Nylon lock washer seats flat head screws (#8 to #14 size). Decorative Satin Brass or Satin Nickel Finished caps fit over the precision-cast poly washer. The unsightly exposed screws have now become an aesthetic feature. Decorative cap is $\frac{1}{16}$ " diameter by $\frac{3}{16}$ " thick.

- X3647018P** Satin Brass Plated Finish
- X3648118K** Satin Nickel Plated Finish



P1222 Polyethylene Screw Covers

Screw is inserted through the base and then cap snaps snugly over the top. Provides a seal against the weather, helps prevent rust and protects screwhead from damage. Adds an element of color and finish. $\frac{9}{16}$ " OD x $\frac{1}{4}$ " thick.

- P1222B** Walnut Brown
- P1222E** Almond
- P1222S** Black
- P1222W** Snow White



Walnut Brown Almond Black Snow White

Steel Thread Insert Nuts

F14SKIU Inside: $\frac{1}{4}$ - 20 threads
F516SKIU Inside: $\frac{5}{16}$ - 18 threads
 Slotted **Steel** skein nuts for manual or power drivers. **Outside: $\frac{1}{2}$ " OD x $\frac{1}{2}$ " Long.** Install into hole same diameter as body of nut, $\frac{1}{16}$ " below surface to increase strength. Use of varnish as a lubricant is suggested during insertion.



F14SKIU

Three Prong T-Nuts

Steel. 3-prong T-Nuts hold securely and avoid the wood-splitting produced by 4-prongs. Zinc Plated.

- F14STNTU** Threaded $\frac{1}{4}$ - 20 with $\frac{5}{16}$ " long barrel
- F14LTNTU** Threaded $\frac{1}{4}$ - 20 with $\frac{7}{16}$ " long barrel
- F516STNTU** Threaded $\frac{5}{16}$ - 18 with $\frac{3}{8}$ " long barrel
- F516LTNTU** Threaded $\frac{5}{16}$ - 18 with $\frac{1}{2}$ " long barrel

Other US Standard or Metric threadings available on special order.



F14STNTU

F14LTNTU

F1024TNUT

FM8TNUT Threaded METRIC M8 with $\frac{3}{8}$ " long barrel

Also available: **6 Prong**

F1024TNUT Threaded 10-24 with $\frac{7}{16}$ " long barrel. Unplated.

Propeller Nuts

Steel. For through-hole or blind fastenings. Wings on side of barrel lock nut inside hole.

- F14SPROPU** Threaded $\frac{1}{4}$ - 20 with $\frac{1}{4}$ " long barrel. Unplated.
- F14PROPU** Threaded $\frac{1}{4}$ - 20 with $\frac{7}{16}$ " long barrel. Zinc Plated.
- F516PROPU** Threaded $\frac{5}{16}$ - 18 with $\frac{3}{8}$ " long barrel. Zinc Plated.

Diecast Zinc Alloy. Heavier nuts in unfinished Zinc-Alloy. (Can be finished in normal plating colors)

FPMANUTU Closed end for visible use. Threaded $\frac{5}{16}$ -18 with $\frac{3}{8}$ " long barrel and $\frac{3}{4}$ " OD head.

FPMBNUTU Open end for interior use. Threaded $\frac{5}{16}$ -18 with $\frac{3}{8}$ " long barrel and $\frac{3}{4}$ " OD head.



Steel

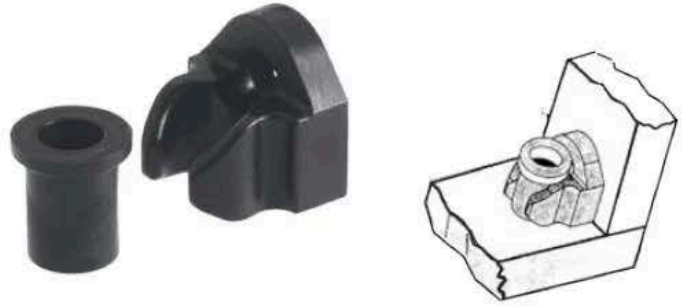
Die Cast Closed End

K6100S

"Snap It" Rigid KD Panel Connector
(And Lid Pivot Hinge)

An amazing 2 piece snap-together connector that can be assembled and disassembled hundreds of times without loss of strength or rigidity. Does not require machining and attaches with only two screws.
Resists up to 185 lbs pullout force! Made of special molded thermoplastic resin. It is resistant to temperature variations, chemicals, and aging. Lightweight, powerful, economical and easy to install.

Can be used horizontally as a lid pivot hinge! Crystalline polyester polyamide with a tensile strength of 7300 lbs per square inch. Not affected by temperatures of -40° to 100° F. As a pivot hinge, it shows no deterioration after 50,000 cycles.



KLF270

Nylon Interlocking Fitting

Rapid assembly and disassembly without tools.
2-piece Nylon interlocking fitting with slide-on Steel locking cover.
Surface mounted, no machining.
Cover may be applied from either side by hand, without tools.
Brown or White Nylon, Bronze or Chromed Steel cover.



K40

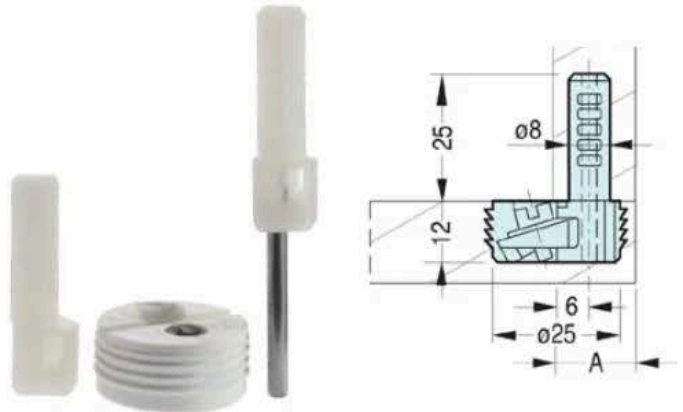
Panel Assembly Connectors

Economical, easy to install connectors
Easy assembly, easy disassembly
Brown or White Nylon

K4001 for 5/8" wood
K4002 for 3/4" wood

Side Panel: Drill 8mm diameter hole x 25mm long
For 5/8" wood, hole is 7mm from inside face
For 3/4" wood, hole is 9mm from inside face
Insert dowel, then drive in Steel pin to lock in place

Bottom Panel: Drill 25mm diameter hole x 12mm deep
For 5/8" side, hole is 15mm from outer edge
For 3/4" side, hole is 16mm from outer edge



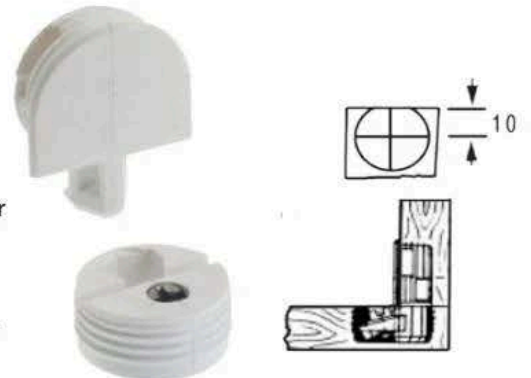
K2110

Gripmaster, Nylon KD Corner Joint

Steel cam in the female section engages slot in the male for rigid connection.

For the sidewall: Drill 25mm diameter hole (for the male section) x 7/16" deep with the center of the hole 10mm from the inside of the wood.

For the bottom panel: Drill 25mm diameter hole (for the female section) x 12mm deep, placing the center of the hole from the outer edge 1.5mm more than the size of the sidewall. Example: for 19mm side, drill 20.5mm from edge.
White Nylon



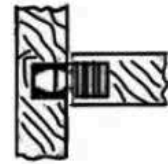
K25412W

Nylon Snap-Together Joiner

Male and female take the same boring.
10mm ($\frac{3}{8}$ ") diameter x 10mm ($\frac{3}{8}$ ") deep.
Rigid attachment.
Hard or dense woods do not require gluing.



K25412W



K63

Nylon Snap-Together Joiners

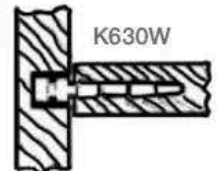
Drill holes, insert with glue and snap together.
For permanent or temporary joints in plywood or flake board.

K630U Barbed Nylon dowel for $\frac{1}{4}$ " diameter hole x 2" long and bushing for $\frac{1}{2}$ " diameter hole x $\frac{7}{16}$ " long.

K632U Two bushings for $\frac{1}{2}$ " diameter hole x $\frac{7}{16}$ " long with double-end snap-in dowel.



K630U



K632W



K632W

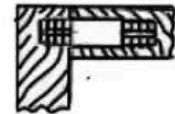
P2507W

Nylon Dowel Connector

Reverse threads hold glue in each panel opposite the direction of pull.
For 8 mm ($\frac{5}{16}$ ") diameter hole. Length is 30 mm ($1\frac{3}{16}$ ").
For use with $\frac{1}{2}$ " to $\frac{5}{8}$ " panel.



P2507W



P650U

Nylon Screw Anchor

For fast assembly/disassembly. UF bonding in plywood, chipboard or flakeboard.

$\frac{5}{16}$ " diameter x 1" long for #10 sheet-metal screw or $\frac{10}{24}$ machine screw (not included).



P650U



P25173W

Nylon Right-Angle Miter Dowel

Unique indents on sides work with most furniture adhesives to make a strong bond to resist pull out. For mitered joints in chip-core case goods and mirror or door frames.
 $1\frac{1}{4}$ " x $\frac{1}{4}$ " OD x 1" long.



P25173W



Knock Down Fittings And Assemblies

XCRB1 Corner Braces

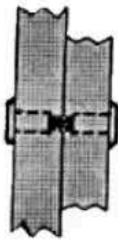
The popular 1 x 1 corner brace, used to reinforce corner joints on chairs and tables. Made of formed Steel 1½" x 1½" x ⅞" wide. Its nickname "1x1" is derived from the fact the holes are each 1" from the corner. Uses #12 or #13 countersunk screws.

- XCRB1L Bronze Plated
- XCRB1P Brass Plated
- XCRB1U Zinc Plated



F1000 Series Connecting Screws

Steel connecting screws capped in plastic. Both ends slotted. Brown or White.



Part #	Minimum Wood	Maximum Wood
F1029	1 1/8"	1 7/16"
F1034	1 5/16"	1 5/8"
F1039	1 9/16"	1 13/16"
F1044	1 3/4"	2 1/16"
F1049	1 15/16"	2 1/4"

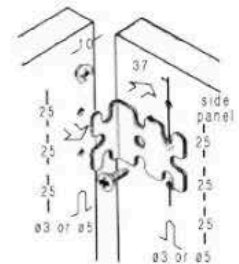
PO675B Utility Fastening Block

Brown molded polyethylene blocks for right-angle fixing of "modesty panels" on desks. ½" x ½" x 1 3/8" long. Holes in two directions for #8 screws.



S437N Utility Corner Jointing

Quick assembly or disassembly of panels with in-line hole boring of 3mm or 5mm holes. 8 different places possible for mounting plus one locking screw hole. .080 gauge Hardened Steel, Bright Zinc Plated.



Covers For Millimeter Size Holes

The European fitting system generally leaves excess holes and polyethylene hole covers make these less unsightly. Generally Black, White, Brown and Almond (Eggshell) are stocked.

Other sizes (20mm, 25mm, 35mm) and colors available on special order.



Part #	Hole Diameter	Black	White	Brown	Almond
P0378	5mm	yes	yes		yes
P1518	8mm		yes		yes
P1618	10mm	yes			
P3290	10mm		yes		yes
P3291	10mm			yes	

K418Z

Interlocking "Flushmounts" / Panel Hangers

Strong versatile hanger for wall-panels, wall-hung cabinets, mirrors, headboards, displays, and more. Two interchangeable interlocking pieces mate perfectly to provide secure fastening **in only 1/8" thickness!**

1 1/2" high x 1 3/4" wide x 1/8" thick assembled.

Cold Rolled .062 gauge Steel, Zinc Plated, with four screw holes countersunk for #6 flat head screws.



K418MINIZ

Mini "Flushmounts" / Panel Hangers

A strengthened shortened FLUSHMOUNT for horizontal stretchers. Extra heavy, extra strong. Only 3/16" thick when assembled.

.095 gauge Steel with 2 holes countersunk for #6 flat head screws.

5/8" high x 1 9/16" wide by 3/16" thick assembled.

Zinc Plated.



Keyhole Fittings / Panel Hangers

Introduced in 1953, Keyhole Fittings are still in great demand for their combination of super rigidity and ease of assembly-disassembly. Used for assembling chairs, beds, cabinets, and more. They fit on the ends of narrow timber in many varied applications. Screws engage through the keyholes and ride up the ramps under pressure providing powerful wedge-action tightening. Screws not included.

K2094U

One Hole Jointing

1 5/8" long x 9/16" wide with two holes countersunk for #6 flat head screws.

Keyholes provide rigid connection for #10 round head screws.

.095 gauge Cold Rolled Steel, Zinc Plated.

K2094U



K2093U

Two Hole Jointing

3" long x 9/16" wide with three holes countersunk for #6 flat head screws.

Keyholes clamp with #10 round head screws.

.095 gauge Cold Rolled Steel, Zinc Plated.

K2093U



K1094Z Extra-Heavy

One Hole Jointing

1 3/4" long by 5/8" wide with two holes countersunk for #6 flathead screws.

Keyholes enlarged for #12 round head screws for super-strong joints.

.125 gauge Cold Rolled Steel, Zinc Plated.

K1094Z



K280LGZ

Rapid Corner Joints (Patented)

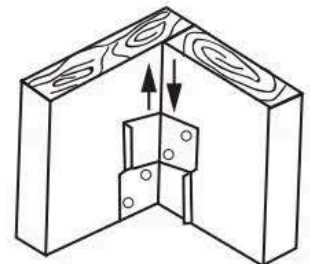
Strong corner jointing where rapid assembly and disassembly are required.

For prefabricated sheds, partitions, shelving, counters, cases, and more.

Supplied in sets of 2 interlocking "lefts" and 2 interlocking "rights" (2 corners).

1" x 1" x 2 1/16"

Zinc Plated Finish on .060 Steel.



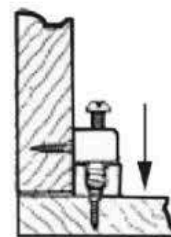
K1964B

Surface-Mounted Corner Connector

No production machining or drilling! 2-piece Nylon connector with locking screw. Male section has twin anti-twist dowels which fit the holes in the female connector. Locking screw goes through the male section and fastens into the Steel nut molded into the female connector.

Assembled size: 1 1/2" long x 1 1/4" high x 5/8" thick

Brown Nylon



K6510011

Extra Heavy Corner Joints

Heavy gauge Steel wedge-action corner jointing for on-the-job assembly. Interlocking parts need no machining, attach with screws. For wood parts 4"-8" wide, wider units may use two assemblies.

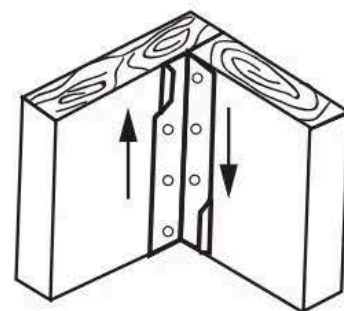
The greater the pressure, the tighter the joint!

Disassemble by reversing direction of pressure.

Supplied in sets of 8 pieces (four corners).

7/8" x 7/8" x 3 3/4" long.

Zinc Plated on .106 Steel



K3939Z

The Ultimate Connector

Push two furniture sections together and the mechanism engages FIRMLY and AUTOMATICALLY. Separation is achieved by raising one section. The connecting parts may be fastened to the bottom or back of the furniture. The ratchet jaws grip the triangle in the plate to make the joint.

Ratchet connecting jaws: 1 7/8" long x 2 1/8" wide

Plate: 1 7/8" tall x 1 13/16" wide which is riveted to a solid triangle of 1 7/32" Steel with a projection of 1 1/16"



X99

Mending Plates / Corner Braces

- X9972U 2" x 3/4" mending plate, 16 gauge Zinc Plated
- X99725U 2 1/2" x 3/4" mending plate, 16 gauge Zinc Plated
- X997C3U 3" x 3/4" mending plate, 14 gauge Zinc Plated
- X997C4U 4" x 7/8" mending plate, 13 gauge Zinc Plated

- X998C1U 1" x 1" x 1/2" corner brace, 16 gauge Zinc Plated
- X998C2U 2" x 2" x 5/8" corner brace, 14 gauge Zinc Plated



X998C1U



X99725U



X9972U



X997C3U



X997C4U



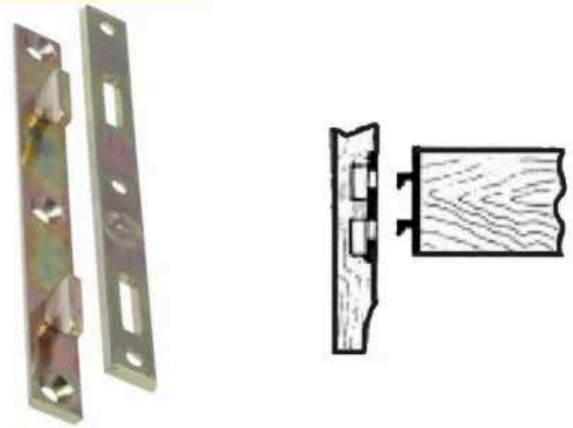
X998C2U

K74 Bed Rail Fasteners

Extra-heavy .125 gauge Steel for secure fastening of bedrails to bedposts. Heavy swaged hooks on male section engage rectangular openings on female section. Rigid assembly, quick disconnect, easy installation.

- K744U** 1¹/₁₆" wide x 4" long
- K745U** 1¹/₁₆" wide x 5" long
- K746U** 1¹/₁₆" wide x 6" long

Sold in sets of 4 (enough for 1 bed).
6 sets of 4 per carton.
Rust Resistant, Yellow Zinc Plated Finish.

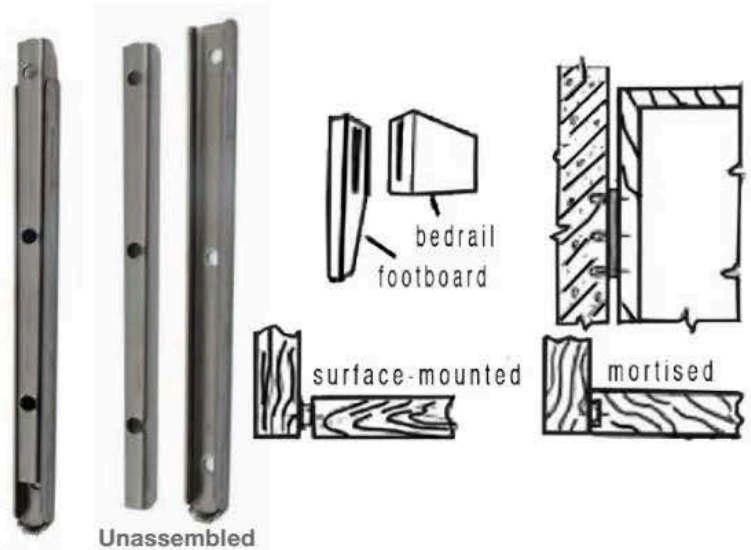


K2020 Taper Connectors

Wedge shaped fasteners ease job of hanging or connecting flush fixtures, provide an invisible joint of great strength for beds, chair backs, chair arms, wall-hung cabinets, and more. Extra heavy gauge Cold Rolled Steel, only 1/16" thick. Female: 1 1/2" wide. Male: 1 1/8". Easy insertion, locks tight with pressure when bottoming.

- K20202** 2" long
- K20204** 4" long
- K20206** 6" long

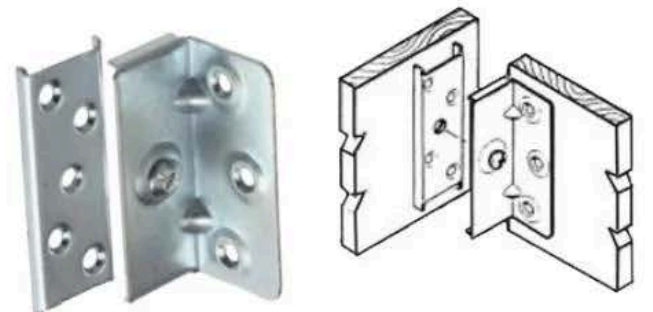
Available from stock Unplated.
4" length also stocked in Zinc Plated Finish.



KD271 Super Rigid Corner Joint Fasteners

For bed rail fastening, partitions, platform bed frames, and platform bases. Top and bottom tabs on male section provide lateral rigidity. Incorporated M8 captive bolt provides quick fastening. Heavy corner gussets maintain angular integrity. .072 gauge Cold Rolled Steel, Zinc Plated. Sold in sets of 4 corners.

- KD271SMZ** 3 1/2" long x 1 1/4" leaf
- KD271Z** 3 1/2" long x 1 1/2" leaf



K1892Z 2-Piece Corner Wood Joiners

Wedge-action joiner for strength and stability. Formed tabs on male section engage angled slots on right-angled female section. Sold as a 2 piece set. 2 3/4" long x 1 9/16" high, .058 gauge Steel. Cold Rolled Steel, Yellow Zinc Plated.



LEGS!

Legs for beds! Legs for sofas!
Legs for desks! Legs for everything!

XT10
Satin Chromed Steel Legs

Steel with crimp-locked 2½" square top mounting plate.
Nylon adjustable glides
Satin Chrome Finish

1³⁄₁₆" OD Round Tube

XT10214C 4¾" high

XT10318C 8¾" high

1⁵⁄₁₆" Square Tube

XT10224C 4¾" high

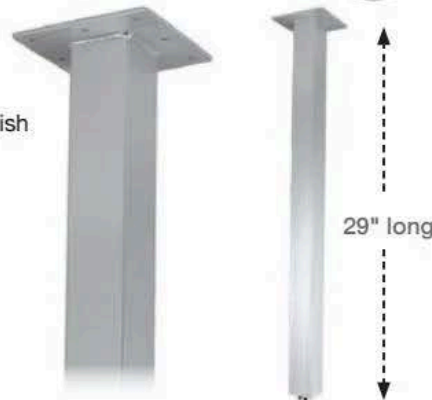
XT10328C 8¾" high



XHW1916
Metal Leg with Adjustable Leveler

2" square x 29" long.
Top plate is 4½" square.

Silver Powder Coated Finish



TSC989150DN
Dull Nickel Corner Leg

Corner Leg with 2¾" square top.
Heavy gauge formed Steel.
⅝" height adjustable.
Steel, Dull Nickel Finish



-- 2" --

6"

XLG48S
Steel Tube Leg

3" diameter Steel Tube Leg.
6¾" tall, ⅝" - 18 x 1" threaded stud.
Screw adjustable bottom glide.
Baked Glossy Black Finish



XHW17
Stainless Steel Cabinet Legs

Beautiful Brushed Stainless Steel #201 in an elegant cabinet leg.
2" diameter
Strong solid top plate is 3⅝" square with 2½" screw hole centers
Plastic adjustable leg leveler with ¼" adjustment

XHW1733 3" tall.

XHW1744 4" tall.



XLG64K
Steel Block Leg

2" high x 4½" square with bottom glides.
Bright Chromed Steel



S325
Leg Mounting Plates



Tempered .067 Steel plates with $\frac{5}{16}$ - 18 Steel threaded nut staked in the center. $2\frac{3}{4}$ " x $2\frac{3}{4}$ " with 5 holes for fastening with #11 screws (not included). Flat or Angled, Zinc Plated

S325STRTU For straight legs
S325ANGLU For 15° angled legs

X25600S
Table Legs



Table legs fold up so that table is vertical and easy to carry and store. For dining tables or game tables
23" spread, $23\frac{3}{4}$ " wide.
 $29\frac{1}{2}$ " high.
Powder Coated Black

GKCL100
Leg And Clip Bracket



This leg mounts to the bottom of cabinet and the bracket mounted to the kick board clips into it.
Can be mounted in two ways: insert bolt down the center or through four countersunk screw holes. Leg is adjustable from 4" to $6\frac{1}{2}$ ".
Base: $1\frac{3}{4}$ " diameter
Black polypropelene

GPRO
Legs



Legs with casters are especially valuable for heavy items that require frequent relocation such as sofas, large beds, club chairs, dressers, hotel furnishings, and more. For kitchen, bath, bedroom, office or anywhere. Protech Legs are economical and add to appearance and functionality!
Legs with glides are valuable for residential and office items that require only infrequent relocation, such as credenzas, main frame computers, executive desks, sofas, etc. Since these special glides rotate horizontally, they permit easy movement for short distances. Strong legs with seven ribbed reinforcements.
Top diameter: $2\frac{1}{8}$ "
Bolt: $\frac{5}{16}$ - 18 thread x 1" long

XHW1403
NEW Wooden Sofa Leg



$3\frac{1}{4}$ " wide and deep. $2\frac{1}{2}$ " high.
Rubber Wood twice sanded
Ready for finishing
2 counter screw holes are predrilled.



Part #	Body Height	Caster / Glide Height	Overall Height
GPRO6CSTR	4"	2"	6"
GPRO6GLIDE	4"	2"	6"

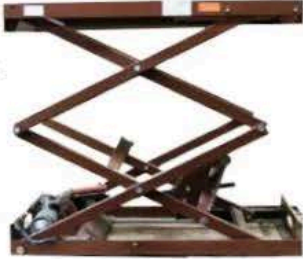


Selby Electronic Scissor Lifts

Acculift Series III Electric Controlled Torque Screw Lifters

Acculift Series III features advanced electronics, greater stability, and freedom from noise together with precision-controlled height adjustment. Modular construction makes it easy to replace components. Fuse-protected against overload, short-circuits or overheating.
Toggle switch standard. Remote control optional.

XELEVATOR7
XELEVATOR7EX
XELEVATOR8



- New and improved!
- Stabilizer system!
- Structural features!
- Reinforced chassis!
- Teflon-coated no-grease screw!
- Precision height control!



XELEVATOR1
XELEVATOR2
XELEVATOR3



XMINI "Small Footprint" Electric Lifts

"Acculift Mini" series provides electric lifting for kitchen cabinets, "wasted space" corner units, bars and other appliances in only 1 1/4 square foot of floor space! (12 3/4" x 14 1/2").

12 Volt low-voltage DC motor with 115 Volt AC transformer. All Steel rigidized construction, Baked Epoxy anti-rust enamel. Controlled motion with vertical worm-screw and guided rails. Mechanical clutch prevents "overrun".
Only 12 3/4" wide x 14 1/2" deep by 28 1/2" high.
Push-button operation standard. Remote control optional.



XMINI1 Shelf or cabinet rests 5" off ground, and raises to a height of 25 1/2".



XMINI2 3-shelf unit raises 22 1/4" to a maximum height of 50 3/8".

Part #	Length	Width	Max. Open Height	Min. Closed Height	Net Run	Load Rating	Shipping Weight
XELEVATOR1	33"	19"	26 3/8"	5 1/2"	21"	200 lbs	68 lbs
XELEVATOR2	27 1/2"	19"	22 3/8"	5 1/2"	17"	200 lbs	52 lbs
XELEVATOR3	37 3/4"	19"	30 1/8"	5 3/4"	24 3/8"	300 lbs	77 lbs
XELEVATOR7E	28 1/2"	19"	43 1/4"	7 1/2"	35 3/4"	185 lbs	65 lbs
XELEVATOR7EX	28 1/2"	19"	43 1/4"	7 1/2"	35 3/4"	280 lbs	70 lbs
XELEVATOR8	20"	16 1/4"	26"	6 3/4"	20"	180 lbs	60 lbs
XMINI1	14 5/8"	12 1/4"	24 3/8"	28 1/8"	20 1/4"	180 lbs	45 lbs
XMINI2	14 5/8"	12 1/4"	50 3/8"	28 1/8"	20 1/4"	160 lbs	49 lbs
XTABLELIFT	18"	15 1/8"	28 5/8"	17 3/4"	10 7/8"	160 lbs	67 lbs

CAUTION!

Do not machine furniture until you have an actual unit to check measurements. External Powerpack for Acculift and Powerlift units is 3 5/8" wide. All mechanisms run on 110V AC stepped down to the low-voltage 12 Volt motor. 220 Volt 50Hz available to order. Push button and/or remote control on all mechanisms. Two auxiliary outlets of which one is always on and one is on when raised. Mechanism guaranteed against manufacturing defects for two years. All repairs done in our own shop.

2-year warranty against mechanical and electrical defects.

XTABLELIFT
Electric Lift For Tables

Convert a coffee table to a dining table at the flick of a switch! Raises from 18½" level to 29" high or any height in between. Rises smoothly and silently with vertical worm gear and four corner control guides. Base is designed to accept pedestal panels and top may be wood, marble or glass. Also used for computer furniture, cellarettes, and TV lifts in end tables.

110 Volt AC transformer operates 24 Volt low voltage DC motor.

Lift capacity: 160 lbs.

Shipping weight: 66 lbs.

All Welded-Steel unitized construction.

Baked Epoxy Finish.

Base measures 19⅝" x 16". Standard push-button activation.

Remote control optional.



Specifications shown on page 86

Smooth wobble-free motion on precision guided rails will raise 160 lb loads silently and effortlessly. Very popular for hiding audio, computer and video equipment, and safes. A space saver in boats and recreational vehicles.

**Electric Lifts
For Flat Screen TVs**

Allows large flat screen TVs to be built into cabinets and raised when they are in use.

Part #	Base Length	Base Width	Arm Length	Height Raised	Height Vertical Structure	Lift Distance	Lift Capacity	Shipping Weight
XPLASMALIFT42	127/32"	65/16"	357/16"	61"	33 7/8"	27 1/8"	177 lbs	62 lbs
XPLASMALIFT50	127/32"	65/16"	39 3/8"	70 1/2"	38 9/16"	31 7/8"	177 lbs	66 lbs



XLED35KIT

Wired LED Cabinet Light Kits

Imagine an LED puck light that fits into a 35mm diameter drilled hole and is only 1/2" deep. Each light is .5 Watt. Three lights and on/off switch clip into the included distribution block. A 6 ft long cable connects them to an ultra slim plug-in transformer. Each light has a 40" long wire, and the on/off push button switch has a 39" long wire. Conveniently packed one set per carton. Available in Black or White ABS



X35LEDKIT

X4100HL

Automatic LED Cabinet Hinge Light

New style lights for use with hinges on cabinets, wardrobes, drawers and lockers. When mounted on concealed hinge, light will turn on and off automatically when door opens or closes. High-efficiency battery power supply (one 12 volt battery included). Bulb life: approximately 50,000 hours. .24 Watt



X4100HL
mounted on door hinge

X35LED

Wireless Motion Sensor Cabinet Lights

For use with a 35mm cup hinge hole. Can also be attached using two sided adhesive or magnet. Powered by three 4.5 Volt LR44 batteries (included). Recessed hole diameter 35mm x 10mm. Available in Black or White ABS



X35LEDS



X35LEDW

X32LED

Wireless Motion Sensor Cabinet Lights

For use with a 32mm c.c. shelf pin system. Pins can be removed and used with two sided adhesive in other applications. Powered by three 4.5 Volt LR44 batteries (included). 53mm long x 17mm wide x 16mm high. Available in Black or White ABS



X32LEDS



X32LEDW

XLED

Wireless Switched LED Cabinet Lights

Screw mounted mechanically switched cabinet light, activated by opening cabinet door. Available for single or double doors in Black or White ABS. Takes three 4.5 Volt LR44 batteries. Batteries and screws included.

- XLED1** Single cabinet LED light 2" long x 7/8" tall x 7/8" wide
- XLED2** Double cabinet LED light 2" long x 13/16" tall x 1 1/8" wide



XLED1



XLED2

X4200
LED Cabinet Lights

This 1 Watt LED light fits into a 38mm drilled hole, and comes with a cool white diode and a 39" connecting cable. For use with a 5 Watt transformer and junction box for multiple light configurations. Components sold individually.

- X4200S** Black Anodized Aluminum Housing
- X4200W** White Anodized Aluminum Housing
- X4200JUNCTION** 6 port junction box
- X42005WATT** 10 Volt to 24 Volt, 5 Watt transformer with on/off roll switch and 10 foot cable.



X8511
Surface Mounted LED Plug-In Puck Lights

Use individually or combine on a single power supply cable using connecting wires. Mounts using two screws or magnet backing plate. Housing material: Black ABS. Available with switch or PIR motion sensor.

- X8511SENS** Sensor activated light
- X8511SWITCH** Switch activated light



XCABLIGHT
Curio Cabinet 110 Volt Fixture

For mounting on cabinet ceiling or behind shelf for back reflection with two screws through Steel bracket. UL-CSA approved, supplied with 7-feet of cord, molded 2-prong plug and 25 Watt standard Edison base lamp. 15 Watt is also available. Reflector is baked brown walnut on Steel exterior. 8 1/4" long x 1 3/4" high. Rugged construction. Incandescent Lighting.



X8505LED
Adjustable LED Light

OMNIFOCUS, Four LED lights rotate to the desired angle, upward, straight or downward as needed. A magnet that is fastened to the door lights up the light when the magnetic field is interrupted by the door opening, and turns off the light when the door is closed.

A central on/off switch can turn off the light when the door is open. ABS, Anthracite Finish

3" long x 2 5/16" wide x 1 3/16" high

4 rotatable LED lamps, 2 AAA Alkaline batteries (included).

Magnetic automatic on/off switch. Automatic 5 minute cut-off. Central manual on/off switch.



X7504LED
Fixed LED Light

OMNIFIXED, Four LED lights illuminate forward and sideways at a fixed 45° angle. When the door is opened, a spring mounted tongue switch turns on the lights and turns off the lights when the door is closed.

ABS, Satin Silver Finish

2 3/4" long x 1 3/4" wide x 1 3/16" thick. 4 fixed LED lamps, 3 AAA Alkaline batteries (included). Spring-loaded automatic on/off tongue switch.



X8508

Closet Rod / Wireless LED Lights

Incorporated within the wardrobe rod are motion activated LED lights and an anti-slip strip on the rod top. The wardrobe rod is aluminum with a diameter of 30mm and a load capacity of 55 lbs. The batteries are enclosed in the rod holders and can be changed without removing the wardrobe rod. The holders are made of Silver ABS and are 105mm in diameter and 36mm deep. Wardrobe rod is available in four lengths.

- X8508558** 22" LED wireless wardrobe light.
- X8508708** 28" LED wireless wardrobe light.
- X8508858** 34" LED wireless wardrobe light.
- X85081158** 46" LED wireless wardrobe light.

Battery powered closet rods with LED lights

Can be trimmed to exact length as needed.
3 AA batteries included.



X1000 / X4000

Wired LED Strip Lights

Flat Profile

Lights attach with included mounting brackets, 1" wide x 3/8" thick, and can be linked with the supplied coupler. Each light has its own lite touch on/off switch, and includes a 39" connecting cable to join lights. Aluminum housing with Acrylic end caps.

- X400012CW** 12" long with 30 LED chips-3 Watts, Cool White Light.
- X400020CW** 20" long with 50 LED chips-5 Watts, Cool White Light.
- X400032CW** 32" long with 80 LED chips-8 Watts, Cool White Light.
- X4000JUNCTION** 8 port junction box.
- X400024WATT** 110 Volt to 24 Volt, 24 Watt, transformer with on/off roll switch and 10 foot cable.
- X4000CONNECT** Small rigid connector block.

The number of lights that can be connected together is limited by the transformer wattage in conjunction with the light wattage.



Low Profile

Light strip is only 13/16" wide x 9/16" thick. Each light has a built in on/off and 4 stage touch dimmer switch. LED lights are powered by a plug in transformer. Each light features a frosted diffuser and the ability to secure the light to a metal object, with included magnets fastened to the back of the light housing. Connecting cables are available in 12", 24", and 36" lengths.

- X100012** 12" long with 60 LED chips-4.5 Watts, Warm or Cool White.
- X100024** 24" long with 123 LED chips-9 Watts, Warm or Cool White.
- X100036** 36" long with 192 LED chips-14 Watts, Warm or Cool White.
- X100024WATT** 110 Volt to 24 Volt, 24 Watt plug in transformer.
- X100036WATT** 110 Volt to 24 Volt, 36 Watt plug in transformer.

The number of lights that can be connected together is limited by the transformer wattage in conjunction with the light wattage.



X2633LEDBED

Bed Light Kit

Designed for use with SELBY wall beds. Features refrigerator lighting function: Open the Door and light comes on. Close the Door and light goes off. Also great for closets, pantries, wine cellars, and more. Bright, efficient, low heat, long life. Easy to install LED lights with plug in connectors.

Each Kit Contains:

- Three 3" Puck Lights
- One LED Driver
- One Kill Switch
- One Wall Plate On/Off Switch, for use in bed cabinet
- One Power Cord



Available in Black or White.



X688, X690
Halogen Bar Lights

2 light bar

23 $\frac{5}{8}$ " long, 4 $\frac{1}{4}$ " wide by 1 $\frac{1}{4}$ " thick. Fasten 2 #10 round head screws under shelf, projecting 1 $\frac{1}{16}$ ", and slide fixture into place. Extra-powered 50 Watt UL-CSA approved transformer with double safety protection.

20 Watt halogen fixtures give illumination equal to 150 Watts and four times the life! Aluminum Housing, Baked-Epoxy Finish for lifetime use, end caps and trim rings in special Nylon. Bulbs are covered with frosted lenses that slide out for easy bulb-changing if needed.



- X6882** With on-off switch: White fixture with Black end caps or Black fixture with Gold end caps
- X6902** With on-off switch and 2 high/low settings. White fixture with White end caps, or Black fixture with Black end caps

3 Light Bar

- X6903** 35 $\frac{1}{2}$ x 4 $\frac{1}{2}$ " x 1 $\frac{1}{4}$ ", 75 Watt Black fixture with Black end caps or White fixture with White end caps. For kitchens, baths, breakfronts, closets, store fixtures, showcases, displays. On-off switch and two high-low settings.

XHCL2
Halogen Lighting Without A Transformer

The Cat's-Eye light features two 50 Watt halogen lamps that use normal 110-120 Volt AC current. No transformer! Just plug in. All the advantages of Halogen brightness and durability without the fuss! 15-34" long x 2" wide x 1 $\frac{1}{16}$ " high. Polished Brass, Polished Chrome and Black with Milk-White lenses.



X2633
Halogen Sets

Non-Swivel, 12 Volt 20 Watt. In sets of 1, 2 or 3 lights, ready to snap together. Extra-powered UL-CSA transformers (50 Watt for 2-lite sets, 75 Watt for 3-lite sets) with double safety protection against both overload and short circuits! Plug-in wire has built-in roll switch. Locks into place in 2 $\frac{1}{4}$ " hole with spring clips. 2 $\frac{5}{8}$ " x 1 $\frac{1}{4}$ " face ring. Body 5 $\frac{1}{8}$ " high. Protective lens. Brass, Black, Chrome. Parts also sold separately. Surface mounted housing also available.



- X26331** 1 light set
- X26332** 2 light set
- X26333** 3 light set

XCANLITE2
110 Volt Incandescent Canister Light

25 Watt 110 Volt plug in design with on/off switch and extension outlet for joining multiple lights in series. For use in moveable cabinets and furniture. Mounts in 80mm hole with supplied bracket. Polished Brass, Matte Black or Chrome finish.



XSMDOWNLITE
Incandescent Light Set

Swivel Eyeball 110 Volt fixture. For ceiling applications in breakfronts, credenzas, showcases and general canopy lighting. Uses R-14/25 25-watt reflector bulb (included) with 5 $\frac{1}{8}$ " diameter base. Fastens through 2 $\frac{3}{4}$ " hole with three concealed screws. Rim (diameter 4 $\frac{3}{8}$ ") projects 1 $\frac{1}{8}$ " below surface. Supplied with 7-foot UL-CSA cord and plug ready to plug into socket. Polished Brass or Baked Black finish on steel. (Baked White or Polished Chrome available on special order).



LH2000
Cam Locks

5 disc tumbler cam locks, keyed different or keyed alike. Key removable in open and closed positions. 90° keyturn standard. Supplied with one 1 5/8" straight cam and one 1 1/2" bent cam. Polished Brass, Polished Chrome and Antique Finishes. Special wood washer included.

Part #	Cylinder Length	Application
LH2011	5/8"	3/8" wood or metal
LH2021	7/8"	5/8" wood
LH2032	1 1/8"	3/4" to 7/8" wood

Straight hook cams available on special order

Special order options: Up to 220 key differs, master keying, key removable only when locked, special finishes



LH2021



LH2011

LH2032

L2066
Desk Drawer Lock

Solid Die Cast one piece front with 5 pin tumbler cylinder. Two numbered cut keys. Overall: 1 3/8" high x 2 1/16" long. Barrel: 7/8" diameter x 7/8" long. Keyturn: 180°, key removable in both open and closed positions. Projection of bolt: closed position: 0, open position: 5/16". Keyed alike or keyed different, custom keyings available on special order. Screw holes: for #6 screws (supplied) 17/16" c/c. Polished Brass, Polished Chrome or Antique Finishes.

L2067PLBL Also available in Brown Nylon



L2066K

L2067PLBL

L68570L22N
Door/Drawer Lock

One of Selby's most popular desk locks! Solid Die Cast one-piece front with chrome tumbler barrel. Overall size is 1 9/16" long x 1 9/16" wide x 1 1/8" deep. Barrel is 1 3/16" long with a 7/8" diameter. Bolt projection is 3/8" open. Keyed alike, Polished Chrome finish



L68570L22N

QL2066LONG
Long Shoot Desk Lock

For drawers with edge moldings. Long shoot projects 1 7/8" above lock case, permitting installation away from the drawer edge. Barrel: 7/8" long x 7/8" diameter. Body: 1 3/8" high x 2" wide x 7/32" thick. Shoot: closed 1 1/2", extended 1 7/8". Key turns 180°, removable when open or closed. Keyed alike, Bright Brass Finish.



QL2066P

L2051
Sliding Door Push Lock

Solid Brass throughout, high-security 5-pin tumbler construction. Milled-slot Brass keys. Stock in different keyings. Key removable in both positions but locks on push-action. Size: $\frac{7}{8}$ " diameter cylinder x $1\frac{1}{32}$ " long. $1\frac{5}{32}$ " movement. Oval plate: $\frac{7}{8}$ " x 2". Polished Brass or Polished Chrome Finishes. Special order: Up to 240 key changes.



QLH2021SPEC
Specialty Cam Lock

This Brass Plated cabinet lock was originally developed for use on jewelry armoires and cabinets. The cylinder is designed for use on $\frac{1}{2}$ " thick doors. Complete with all parts Bright Brass Plated. 2 keys per lock, all keyed alike.



L9411
Drop-Flap Lock

Lock fits flush in face. Does not protrude for wood thickness up to $\frac{7}{8}$ ". Tab turns 90° to engage right-angled striker. Cylinder requires $\frac{3}{4}$ " hole. Back of lock may be recessed into hole $\frac{5}{32}$ " deep by $1\frac{3}{8}$ " diameter. Key removable when locked or unlocked. Includes 2 keys, strike, and trim ring. Nickel or Bright Brass Finishes.



LH5000
Desk Lock (Surface Mount)

Specially designed so that lock is mounted on rear surface of drawer with cranked tongue to effect closure without machining. Barrel is $\frac{7}{8}$ " diameter x $\frac{7}{8}$ " long. Bolt throw: $\frac{3}{8}$ ". Back of lock is $1\frac{1}{2}$ " high x $1\frac{1}{8}$ " wide x $\frac{7}{32}$ " thick. Keyed alike. All Metal Die Cast lock in Polished Brass or Polished Chrome Finishes.



L9291
Push-Button Cabinet Latch

Push and the door opens. Push again and the door is locked. Tested for long-life! Body is $1\frac{7}{8}$ " high x $1\frac{3}{8}$ " wide x $\frac{3}{4}$ " deep. Fastens with two #6 FH screws. Decorative rosette fits into 20mm ($\frac{25}{32}$ ") hole. Knob and rosette available in Polished Brass, Polished Nickel, Brown or White ABS Nylon. Steel strike in Brass or Nickel Finishes.



L1000GLAS

Clip-On No-Hole Lock

No boring of holes! Lock clips onto top or bottom of unframed glass doors $\frac{3}{16}$ " - $\frac{1}{4}$ " thick.
No chipping or breaking of glass.
Black Nylon body with Steel locking mechanism.
 $1\frac{3}{4}$ " long x $1\frac{1}{8}$ " wide x $\frac{3}{8}$ " thick.
Supplied with 2 Nylon keys and **L269L** strike (See page 96).



LGL200

Glass Door Cam Lock

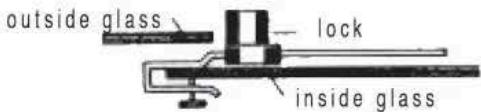
Fits into $\frac{3}{4}$ " hole in glass 30mm ($1\frac{3}{16}$ ") from edge of glass.
Cylinder fits through 1" wide cover-plate. For glass $\frac{3}{16}$ " - $\frac{1}{4}$ " thick.
Cam protrudes $\frac{1}{4}$ " in closed position, engaging oval strike plate ($2\frac{1}{4}$ " x $\frac{15}{32}$ ").
Cam length is $1\frac{3}{8}$ ".
90° keyturn. Key removable in closed position.
Includes lock, cover plate, strike plate, Nylon washer, lock-nut, cam with fixing screw, and 2 keys.
Brass or Chrome Finishes



L2050K

Removable Sliding Glass Door Lock

Removable lock on $\frac{1}{4}$ " ratchet bar. Rear screw tightens bar onto back of inside door. 90° keyturn with key removable only in locked position. Barrel of lock stops doors from sliding open until lock is opened and removed from bar.
Includes lock, ratchet bar, and 2 keys.
Polished Chrome Finish



Mortise Cabinet Locks

- L512678PLR** Half mortise lock and key
Mortise: 1 1/8" long x 3/16" wide x 11/16" deep
Face plate: 1 7/8" long x 1/4" wide
Solid Brass
- L6357PL5148** Large mortise lock and key
Mortise: 1 3/8" long x 3/16" wide x 11/16" deep
Face plate: 1 13/16" long x 5/16" wide
Solid Brass



Jewelry Box Locks

- L5126P** Small full mortise lock and key
Mortise: 1 1/4" long x 1/8" wide x 11/16" deep
Face plate: 1 9/16" long x 3/4" wide
Solid Brass
- L5146P** Full mortise pin lock and key
Mortise: 1 1/8" long x 1/8" wide x 5/8" deep
Face plate: 1 5/8" long x 3/4" wide
Solid Brass



LX636589P Small Box Lock

Small box or jewelry case lock. Includes Brass Plated key and escutcheon plate.
Half mortise must be 7/8" long x 1 1/16" wide x 1/4" deep.
Plate: 7/8" long x 1 3/4" wide
Bright Brass Plated Finish



L672P Authentic Reproduction Roll-Top Desk Lock

Spring-action lock engages automatically when roll-top is lowered. Striker-plate has spring-action cover to hide recess. Double-bitted antique reproduction key. Drop to pin: 1"
Striker-plate: 2 1/4" long x 5/8" wide
Face plate: 3/4" long x 5/8" wide
Full mortise body: 1 11/16" wide x 1 7/16" deep x 5/16" thick
Plates and body are Polished Solid Brass.



Locks Mortise/Surface

L249 Drawer And Door Locks

Four hole surface mounted lock. Keyways for vertical or horizontal use.
Use with "LBOW" or "L252" keys in antique bronze or bright brass finish
(Sold separately).

- L2492CHL** 2" long x 1" wide x $\frac{5}{16}$ " thick (Bronze or Brass Finish)
- L249212** 2½" long x 1¼" wide x $\frac{5}{16}$ " thick (Bronze Finish)
- L2493** 3" long x 1⅜" wide x $\frac{11}{32}$ " thick (Brass Finish)



L2493P



L300P



L249BOW
Overall Length: 2⅛"
Shank: 1½"

L249SHELLKEY
Overall Length: 2⅜"
Shank: 1⅜"

L252KEY
Overall Length: 2⅜"
Shank: 1⅝"

L300P Till Lock

Half mortise lock with horizontal and vertical keyways.
Will fit into 1¾" diameter round mortise.
2½" long x 1⅝" wide x $\frac{11}{32}$ " thick.
Use with "LBOW" or "L252" keys in antique bronze or bright brass
finish (Sold separately).
Brass Finish.
Steel

L506L Grandfather Clock Lock, Narrow Stile

Surface mounted, narrow lock to fit on stile of glass-framed clock door.
2¾" long x 1⅜" wide x $\frac{5}{16}$ " thick. Bronze Finish.
Use "D" key in antique bronze or brass finish (Sold separately).



L506L



LDKEY
Overall Length: 2⅜"
Shank: 1⅞"

Solid Brass Keyhole Escutcheons

Available in Polished or Antique Brass Finishes.
Escutcheon pins included where needed.



T15
½" x ⅜"



T16
1" diameter round



T17
1½" x 1⅜" oval



T18
1⅜" x 1½" oval



T19
1⅝" diameter round

L269LP Steel Strike Plate

1¼" long x ⅞" wide.
Brass Finish.



L269LP

LI0112
Mortise Cabinet Locks

For general use on doors and drawers.
3-way keyhole. Full-mortise.
Width of case: 1¹⁵/₁₆". 7 offsets available.
Brass Finished top plate.
Supplied with one key, choice of Antique or Bright Brass Finish.



LI0112KEY

LI011240P

Part #	LI011220	LI011225	LI011230	LI011235	LI011240	LI011245	LI011250
Drop-to-Pin	13/16"	1"	13/16"	13/8"	15/8"	13/4"	2"
Case Depth	13/8"	11/2"	15/8"	2"	21/4"	23/8"	21/2"

LSD10
Digital Cabinet Locks

High-tech cabinet locks for doors up to 4" thick. Includes front access panel and a power supply with locking mechanism for the back of the door. Each lock is powered with three AAA batteries (included). A backup power supply is available for both locks, sold separately.

- LSD1000** Lock activated with touch screen buttons on front panel.
Front panel is 2 7/8" in length x 1 13/16" wide x 7/16" thick.
Rear power supply is 3 9/16" in length x 2 1/4" wide x 5/8" thick.
- LSD1050** Lock activated with a card reader/swipe.
Front card sensor is 3 9/16" in length x 2 1/4" wide x 5/8" thick.
Rear power supply is 3 9/16" in length x 2 1/4" wide x 5/8" thick.

LSDPOWERSUPPLY Back up power supply for locks. Powered with three AAA batteries (not included).



LSD1000

LSDPOWERSUPPLY

LGSD70
Utility Pad Lock

Ideal for lockers, self-storage units, chests, and much more.
2 3/4" diameter x 1" thick.
Supplied with 2 milled keys.
Stainless Steel.



LGSD70K

L306P

Solid Brass Table Keeper Fork

For heavier table tops in traditional styles.
Three piece set in Solid Brass: horse shoe connector and two catch units with internal Steel friction springs. Fork fits into spring-loaded anchors to hold together extension tables in the closed position.
3/4" high x 3 11/16" wide x 1 15/16" deep.
Mounts on 2 1/4" c/c and holes on each mount are 3/4" c/c.
Polished Brass Finish.



X599P

Table / Sash Latch

Spring-Assisted Reciprocal Locking Action.
For medium and heavy table tops.
Also used for window-sash locking.
Lock: 2 5/16" long x 1 1/16" tall x 1 15/16" deep and screw holes 1 3/4" c/c.
Catch: 2 1/4" long x 3/4" tall x 1 1/16" deep and screw holes 1 1/2" c/c.
Supplied with screws.
Steel, Brass Plated.



X244Z

Lever Type Table Leaf Lock

Tension-Lever Locking Action.
For light and medium thickness tops.
Also used for luggage, carrying cases, and small trunks.
3/4" long x 7/8" wide. Bronze Plated Steel, lock and strike.



X63741YZ

Cam Sash Lock

For medium and heavy table tops.
Also used for window-sash locking.
Lock: 2 5/16" long x 1 1/16" tall x 1 15/16" deep and screw holes 1 9/16" c/c.
Catch: 2 1/4" long x 3/4" tall x 1 1/16" deep and screw holes 1 1/2" c/c.
Steel, Brass Plated.



XG47Z

Eccentric Pivoting Table Lock

For lighter weight applications.
As the lever is turned, the tension increases.
1 7/8" diameter
Zinc Plated, Rust-Proofed Steel.



QSL4262D

Window Sash Lock

A classic style window sash lock. Also used as a table lock.
Lock: 2 1/2" long x 5/8" tall x 1" deep with screw holes 2" c/c
Catch: 2 1/2" long x 7/8" tall x 3/4" deep with screw holes 2" c/c
Steel and Die Cast Zinc Alloy.
Antique Brass Finish.
Screws Included.



LH1146
Side Locking Mechanism

Lowest in price! Easiest to install! Cylinder is inserted on side of pedestal. 2 positions for lock. Rotating key raises or lowers the bar 10mm to engage recesses in drawer sides. Pegs are adjustable for varied drawer heights. 3-drawer mechanism is standard. Multiple drawer options on special order.

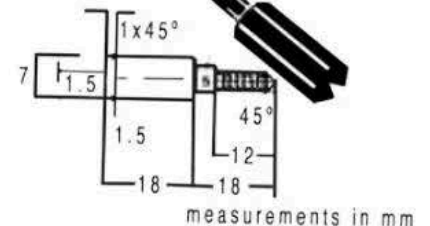
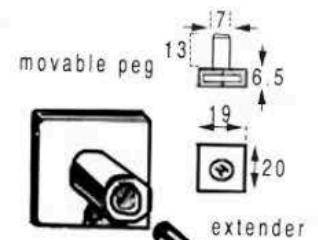
Set includes:
Lock with 2 keys, cylinder trim ring, 24" bar, 3 adjustable pegs with extenders, 1 mounting saddle.
Chrome or Brass Plated Finish



L421CLM
Front Locking Mechanism

Narrow profile, fits on 3/4" rail. Cylinder fits 21/32" hole. 180° key turn raises or lowers the bar, which permits the pegs to engage the recesses in the drawer sides. Recess may be on top or bottom of drawers. Pegs are adjustable to fit varied drawer heights. Supplied standard for 3-drawers but may be ordered with longer bar and additional hardware for multiple drawers. High-security 5-disc tumbler locks.

Set includes:
Lock with 2 keys, cylinder trim ring, 24" bar, 3 adjustable pegs with extenders, 2 mounting saddles.
Chrome or Brass Plated Finish



measurements in mm

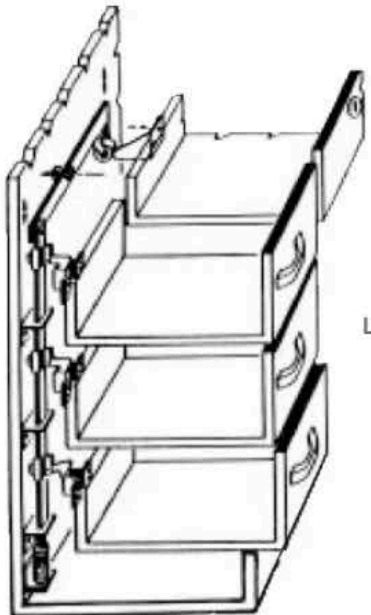
Desk Pedestal Gang Lock

Wedge bracket behind top drawer moves vertical bar to engage clips behind drawer when in closed position. Adjustable-position spring catches permit open drawers to be locked after control drawer is locked. **L2066** drawer lock is recommended (page 92, sold separately).

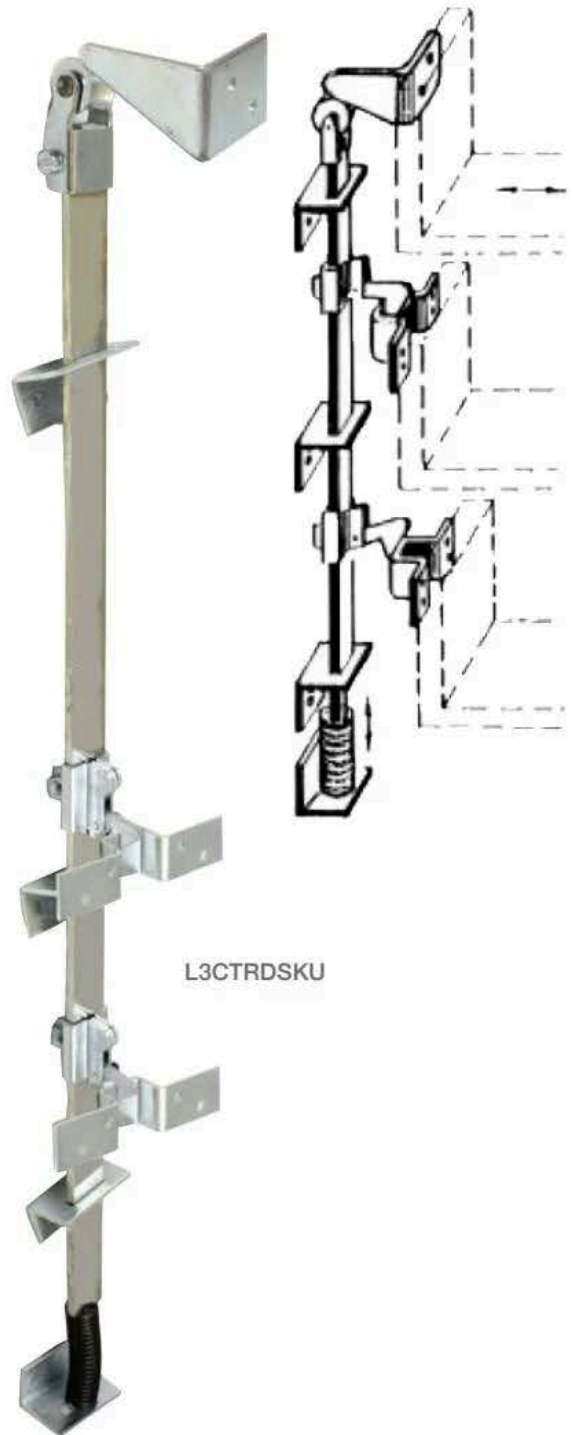
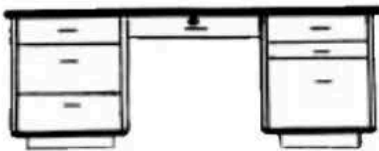
L3CTRDSKU For one 3-drawer pedestal.
Includes bar pre-assembled with rear mounting brackets and spring catches, two engaging clips and one wedge bracket. This requires lock in top drawer. Operates off the top drawer.

L7CTRDSKU For two 3-drawer pedestals, 7-drawer desk.
Includes 2 bars with pre-assembled rear mounting brackets and spring-catches, 6 engaging clips and one pair of wedge brackets. This requires lock in center drawer over knee hole. Operates off the central drawer.

L2066
Sold separately
(See page 92)



L7CTRDSKU



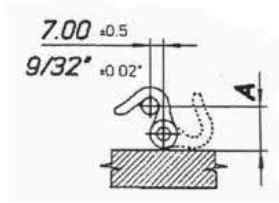
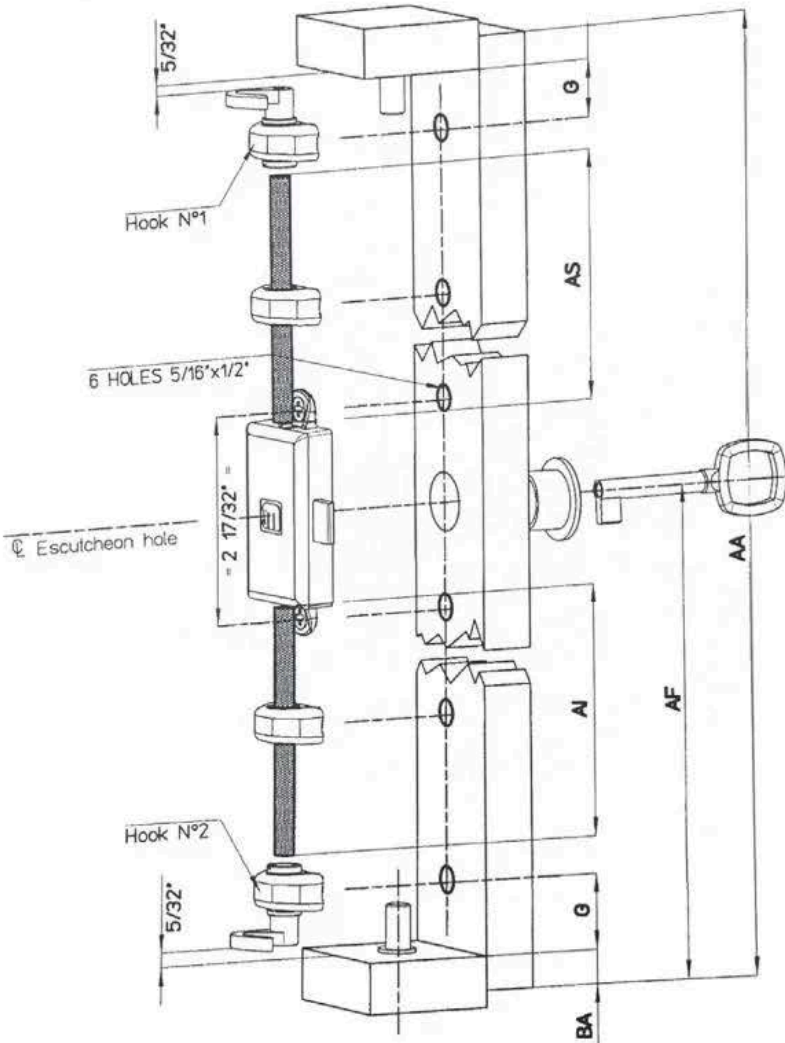
L3CTRDSKU

3 Point Locking System For Tall Doors

L3ESPR2

Turning the key rotates the bars which engage top and bottom hooks.
Screw-on mounting.
Supplied in 80" height, cuttable to shorter lengths for shorter doors.
Nickel Plated, supplied with all parts as shown.

Prevents warping! Adds security! Adjustable! Easy installation!
Lock is reversible. Can be used on either left or right opening doors.



	Description		Description
AA	Door Size	AS	Upper Bar Length
AF	Escutcheon Hole Distance	G	Hooks Distance
AI	Lower Bar Length	BA	Doorstop

KTENTI3

Shelf Magic I - No Visible Means Of Support!

Mount a shelf to the wall (min 1 1/4" thick).
 How does it hang? No one can tell!
 Screw anchors are placed in the wall in 6mm (15/64") holes and the mounting bracket is affixed to them. The support rod is fixed to the mounting bracket with set screws (vertically and horizontally adjustable). 12mm diameter x 3 5/8" deep holes are drilled into the rear of the shelf to seat the rod. For added invisibility, a 7/8" wide groove by 3/16" deep may be cut into the shelf back for full concealment.
 Load Rating: 2 units-90 lbs, 3 units-135 lbs.
 Packed in bags each containing 1 mounting bracket,
 1 support rod, 6 screws and 6 plastic screw anchors (100 bags per box).

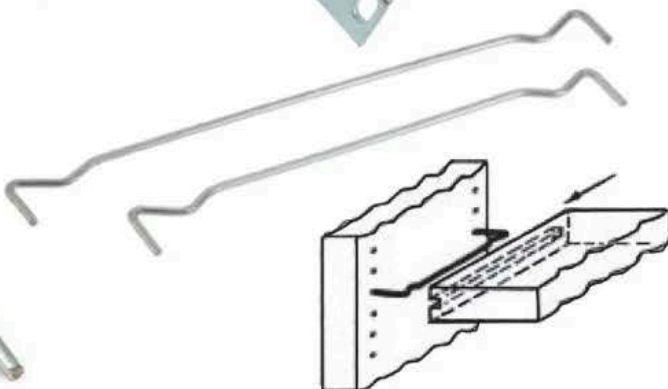


X520

Magic Shelf Wires - No Visible Means Of Support

Magic wire shelf supports in five sizes. Drill a series of 1/8" diameter holes x 1/2" deep in the side wall, horizontally separated according to the wire selected and the shelf depth. MINI wire is used individually for any hole spacing. Zinc Plated.

- X520614U 6 1/4" c/c
- X520734U 7 3/4" c/c
- X520934U 9 3/4" c/c
- X5201334U 13 3/4" c/c
- X520MINIU 1 3/4" c/c

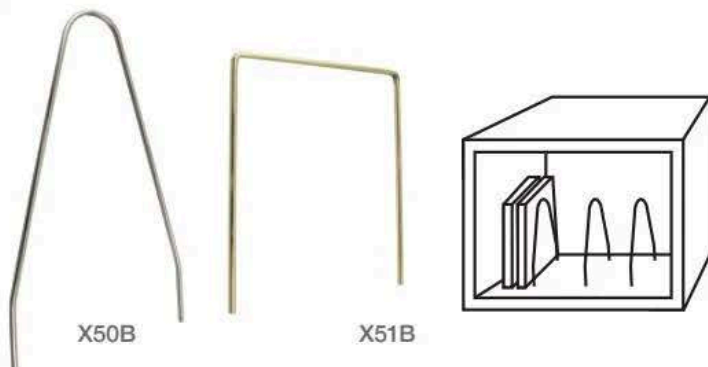


X50, X51

Vertical Storage Dividers

For insertion into holes 3/16" OD x 1/2" deep.
 Steel, Polished Brass or Polished Nickel Plated.
 3/16" diameter

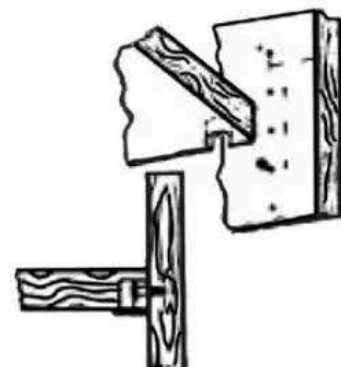
- X50B (Cathedral Shape) 10" tall x 6 3/4" wide
- X51B (Square Shape) 6 1/2" tall x 5 1/2" wide



K91309

Hidden Shelf Supports

No visible means of support!
 For use with 32mm hole boring machines. 5mm diameter holes are drilled into the side wall. The special-headed screw is inserted into the hole.
 In the shelf bottom a 20mm hole is drilled 9/16" deep with the center 9mm from the edge of the wood.
 After the Nylon disc is inserted into the shelf, a downward pressure locks it onto the screw head.



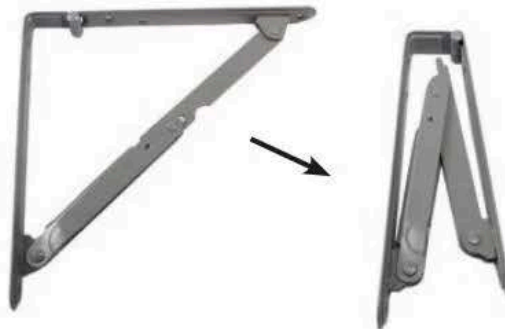
Tough Nylon in Brown or White with Steel screw. All machining operations are into the face of the wood, not into the end grain.
 Available in 9mm and 14mm lengths. Each unit consists of 1 disc and 1 screw (500 units per box).

S151
Folding Shelf Brackets



Automatic locking and unlocking for drop-shelves.
Heavy duty. Steel, Gray Enamel, boxed and sold in pairs.

- S1518E 8" x 8"
- S15112E 12" x 12"
- S15116E 16" x 16"



SC783W
Folding Shelf Bracket



Each pair of folding shelf brackets for fold-down work surfaces support up to 110 lbs. They automatically lock in open and closed position, with a quick release.

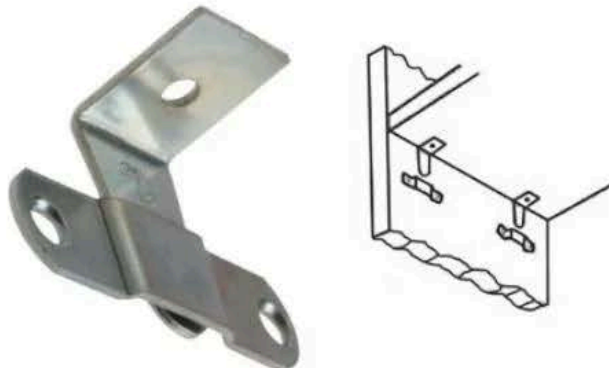
4 7/8" high x 1 1/2" wide
Projection in closed position is 1 5/16"
Projection in open position is 12"
Steel, White Powder Coated Finish
Sold individually.



S304Z
Shelf & Valance Hanger



Bracket and saddle set permits easy insertion and removal of shelves or of valances over draperies.
Bracket takes #6 countersunk screws on 1 5/16" centers.
Bright Zinc Plated on .050 Tempered Steel.



S238AN
Fixed Shelf Hanger



L-shaped bracket fastens to sidewall with #6 screws on 1/2" centers.
Shelf fastens to top arm with #6 round head screw.
1 5/16" tall x 1 1/4" long x 7/16" wide
Nickel Plated Steel



P103113W

Shelf Pin & Shelf Hold-Down

P103 Nylon shelf pin fits 5mm diameter hole in 32mm system modules. Shelf pin is $\frac{5}{16}$ " long permitting insertion on both sides of a partition. Minimum $\frac{5}{8}$ " thick shelf.

P113 is inserted over the shelf and compresses to lock the shelf in place. Shelves may be installed before shipping.

Milky White color
Sold as a set



Clear Shelf Rests

Crystal Clear Polyethylene shelf rests.

P3051118 $\frac{3}{4}$ " high x $\frac{7}{16}$ " wide
Pin: 5mm diameter x $\frac{5}{16}$ " long
Also stocked in Black and White



P3051118

P501U $\frac{3}{4}$ " long x $\frac{7}{16}$ " diameter.
Cylindrical Barrel, flush mounted with #4 wood screw.



P501U

P25171 (Fluted Shank) Polyethylene Shelf Support

Designed for insertion into $\frac{1}{4}$ " holes, these plastic supports may be introduced from both sides of a $\frac{3}{4}$ " thick wall.

Overall length: $\frac{7}{8}$ "

Shelf area: $\frac{1}{2}$ "

Pin length: $\frac{3}{8}$ "

Fits into a $\frac{1}{4}$ " diameter hole

Supplied in Brown or Clear

White available on special order



P5638W

Nylon Shelf Hold-Down (32mm Module)

Press-fit into 5mm diameter holes 32mm apart. Use one above and one below to squeeze the shelf securely.

Milky White color



P888CLEAR

Clear "Snapclip" Shelf Rest

Double-locking shelf rests for $\frac{3}{4}$ " thick shelves. Shelves are locked in vertically and held tight by a horizontal compression finger at each end, helping to eliminate rattling and vibration.

$2\frac{3}{8}$ " high x $1\frac{11}{16}$ " wide

Press-fit into

5mm hole $\frac{5}{16}$ " deep.

Clear Polyethylene



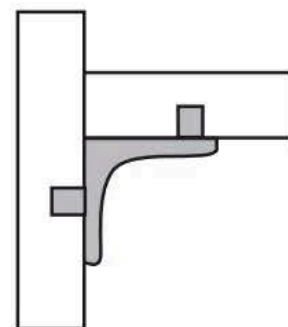
X143N

Shelf Rest With Two Pins

20mm tall x 11mm wide x 13mm deep

Two 5mm pins

Nickel Plated Finish



X71 Solid Steel Mini Shelf Rests

Bearing surface $\frac{3}{8}$ " wide x $\frac{7}{16}$ " long
Pin: $\frac{1}{4}$ " or 5mm diameter x $\frac{3}{8}$ " long
Nickel or Brass Finishes



X72 Right Angle Shelf Rests

Support: $\frac{1}{2}$ " high x $\frac{1}{2}$ " wide x $\frac{13}{16}$ " long
Pin: $\frac{1}{4}$ " or 5mm diameter x 10mm long
Bronze, Nickel, or Brass Finishes on .060 Steel



X73 Right Angle Shelf Rests

Provides $\frac{3}{16}$ " diameter hole to fasten to underside of shelf with wood screw.
.060 Steel.

X73
Support: $\frac{1}{2}$ " wide x $\frac{1}{2}$ " high x $\frac{13}{16}$ " long
Pin: $\frac{1}{4}$ " or 5mm diameter x 10mm long
Finishes: Bronze, Nickel, or Brass



X73VC Plastic Coated Shelf Rests

Steel shelf rests coated in non-skid Polyvinyl.
Especially useful for glass shelving.
Support: $\frac{1}{2}$ " wide x $\frac{1}{2}$ " high x $\frac{13}{16}$ " long.
Pin: $\frac{1}{4}$ " or 5mm diameter x 10mm long

Finishes:
Bronze with Brown Vinyl

Nickel with Brown Vinyl
Nickel with White Vinyl

Brass with Brown Vinyl
Brass with White Vinyl



X70 Steel Spoon Shelf Rest

Formed Ribbed Steel economy shelf rest.
Pin diameter fits $\frac{1}{4}$ " hole x $\frac{3}{8}$ " deep.
Bearing surface is $\frac{1}{2}$ " wide by $\frac{1}{2}$ " long.
Nickel or Brass Plated Finishes



X2825 Grommets For Shelf Rests

For use with $\frac{1}{4}$ " pin shelf rests.
8mm long, with an outer flange, 11mm diameter
Requires a 7mm drilled hole.
Nickel or Brass Plated



X3015PIN Threaded Shelf Rest

Threaded wood screw provides a more permanent shelf rest solution. Slotted for flat head screwdriver.
No need for grommets or bushings.
Overall length: $1\frac{1}{16}$ "
Bearing surface: $\frac{1}{2}$ "
Thread: $\frac{9}{16}$ "
Diameter: $\frac{5}{16}$ "
Nickel Plated



X920200 With X944500 Brass Lock-In Pin With Expansion Bushing

Shelf rest (**X920200**) screws into threaded brass bushing (**X944500**) which expands into the 9mm hole, securely locking both in position. Drill hole $\frac{11}{32}$ " diameter (9mm) x $\frac{3}{8}$ " deep.
Bearing surface of **X920200** rest is $\frac{7}{16}$ " long x $\frac{3}{8}$ " wide.
Solid Brass.

Sold Separately



X138

Non-Skid Glass And Wood Shelf Supports

X138N Flat-type shelf rest with $\frac{7}{16}$ " diameter Nylon Suction Cup to keep glass from sliding. Pin is 5mm diameter x 9mm long permitting entry from both sides of a $\frac{3}{4}$ " sidewall. Projection is: $1\frac{1}{16}$ ". Nickel Plated Steel, Clear Suction Cup.

X138SPECS Same dimensions as **X138N** but without the suction cup. The hole can be used to screw on wood shelves. Available in Black Finish only.



X138



X138SPECS

P7700

Clear Crystal Accent Shelf Rest

Crystal Clear Polyethylene with a bearing surface of $\frac{3}{8}$ " x $\frac{3}{8}$ " to lend a sparkle underneath the glass shelf. Steel pin is molded in for security. Pin is 5mm diameter x 8mm long and can be inserted from both sides of a $\frac{5}{8}$ " partition. Brown or White available on special order.



P5090

Stem Bumper

No-skid Clear Butyrate shelf supports for glass with built-in suction action. Bearing surface is $\frac{1}{2}$ " diameter x $\frac{1}{8}$ " thick. Stud requires $\frac{1}{4}$ " diameter x $\frac{3}{8}$ " deep hole.



P200

Spiral Shelf Rests

Solution for shelves that become unstable over time due to slight warping, wear and tear, or poor installation. With a simple turn of a flathead screw driver, the rests can be adjusted 2mm up or down, during or long after installation.

P20014 $\frac{1}{4}$ " pin diameter x 7mm long. Light Brown, Dark Brown, Gray, Black, or Clear

P2005 5mm pin diameter x 7mm long. Light Brown, Dark Brown, Gray, Black, or Clear

Packaged 16 rests per blister card, 12 blister cards per box.



X3015

Locking Glass Shelf Holders

Rubber tipped Nylon screw secures glass.
Brass or Chrome Finishes for decorative accents on the glass.
Holding bracket is Steel, 3/4" square.
Excellent when shipping with shelves in place.

X301521 For 3/16" to 1/4" glass
.060 Steel with pin 5mm diameter (3/16") x 8mm (5/16") long.
Can also be used as a pivot hinge by using the included 3/8" diameter plastic bushing.

X301522 For 3/8" glass
.080 Steel with pin 6.5mm diameter (1/4") x 8mm (5/16") long.
Supplied without bushing.



X3014K

Solid Steel Shelf Rest

Solid Steel shelf rest to fit 5mm hole borings for 32mm systems.
Projection is 7.5mm diameter x 15mm long.
Pin measures 5mm diameter x 8mm long, permitting pins to be introduced on both sides of a 5/8" thick wall.
Nickel Plated Steel.



X1391N

Non-Skid Shelf Support For Glass

Shelf support with anti-skid rubber treads to keep glass in place.
Shank is 5mm diameter x 9mm long permitting entry into a 3/4" sidewall from both sides.
Projection is 3/8".
Nickel Plated Steel.



X92085N Supports For Wood Shelves

X92085GLSN Supports For Glass Shelves

For 32mm hole systems using 5mm diameter holes.
X92085 Steel pin is 5mm diameter on both sides (reversible), extending 7mm on each side with a 1mm stop-washer in the center.
Also available with clear non slip plastic coating on one end for use on glass shelves.
Nickel Plated.



X450BAG

Non-Skid, Locking Shelf Support For Glass

Nickel Plated Steel shelf support to lock glass into place with Nylon suction cup and fastening clip. Fits 3/16" to 1/4" glass.
Brass expansion bushing is inserted into holes in the sidewall and insertion of the screw opens bushing to lock into the hole.
Projection is 3/4" and shelf is raised 11mm (7/16") above the hole location. Sold as a complete set.



Universal Saw Blade Hangers

Cold Rolled Steel, .035 gauge, Zinc Plated

X11116Z 1 11/16" long, 3 notches

X21116Z 2 11/16" long, 7 notches



**Pivot Top Picture
And Mirror Hangers**

X1012N (Light Duty) 5/64" Steel wire, 2 holes for #10 screws, base 1 1/8" x 3/8"

X742N (Heavy Duty) 1/8" Steel wire, 2 holes for #9 screws, base 1" x 5/8"

X743N (Heavy Duty) 1/8" Steel wire, 3 holes for #9 screws, base 2 1/2" x 5/8"

Zinc Plated All-Steel construction



X1012N
Light Duty

X742N
Heavy Duty

X743N
Heavy Duty

X12022P
Rigid Hanger

Steel .035 gauge, Zinc Plated
Screw holes for #6 round head screws
1 1/8" long x 3/8" wide



X237ALGP
Picture Or Mirror Hanger

Screw holes for #8 flat head screws
Base, 1 1/2" high x 1 1/2" wide
Steel, Brass Plated
Nickel or Bronze Finishes available on special order



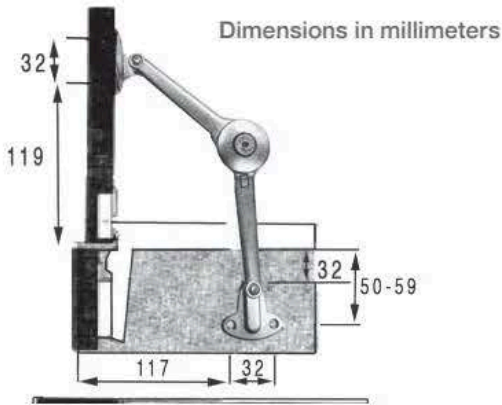
SDELTA
Specialty Lid Stay

The amazing lid stay that is:

- Reversible!** Left or Right
- Adjustable!** Braking Power
- Convertible!** Lift Up or Drop Down
- Demountable!** Brackets Mount Separately

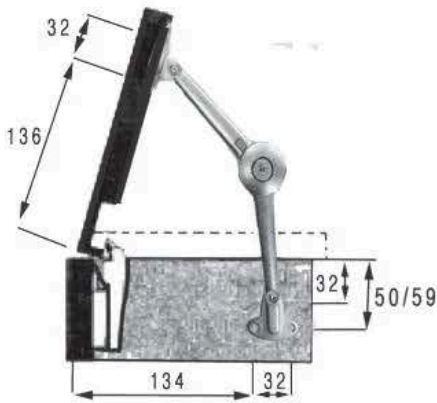


Function Actuator changes direction of brake from up-opening to down-opening

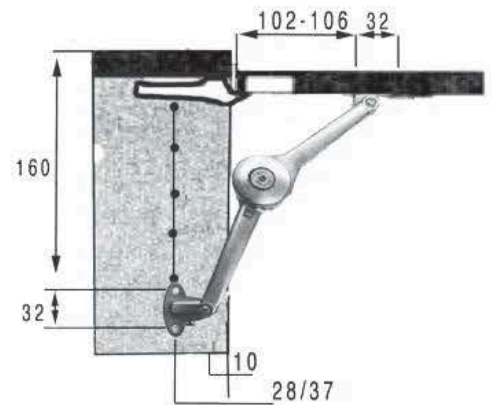


Horizontal lid lift-up to 90°

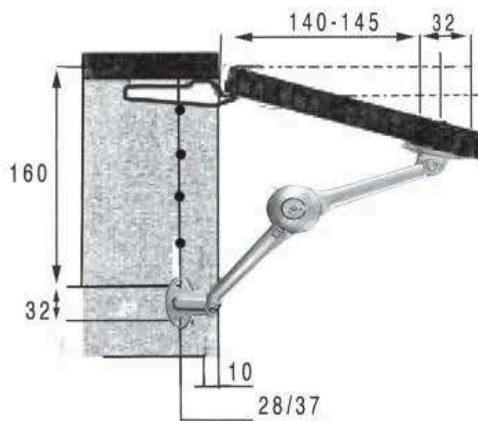
- Strong, Die Cast Nickel Plated Zamak for lids up to 20 lbs! Lighter lids require only one stay. Only 8" long overall.
- All holes are on 32mm centers and can be placed either 28mm or 32mm from the leading edge for users of the 32mm combination drilling system.
- Application has been made simple since brackets are fastened to the cabinet separately and then snap onto the fitting!
- Angle of opening adjustable from 75° to 90° by relocation of brackets and varies according to type of hinge used.
- Sliding and braking action is adjustable to hold at intermediate positions.
- Reverses tension direction from lift-up to drop-down function.
- Fastens interchangeably. Functions as both Left or Right Handed.



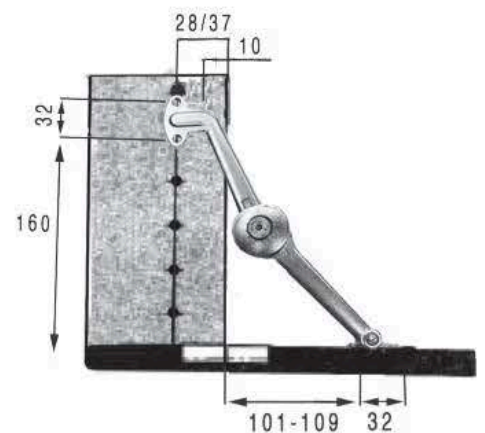
Horizontal lid lift-up to 75°



Vertical lid lift-up to 90°



Vertical lid lift-up to 75°



Vertical lid drop-down to 90°

SDELTAHD3
Heavy duty drop-down lid support for flaps weighing 20 lbs. Able to support lids up to a maximum door height of 18". 11 3/4" c/c on brackets when open.

S186
Drop Lid Supports

Steel heavy duty drop lid supports with spring-locked fiber washers providing friction control on slide.
Sizes 7" & 10". Reversible.

- S1867** 7" Bronze Finish
- S18610** 10" Bronze or Nickel Finish

Other finishes available on special order



S105A10FLTZ
Drop Lid Support

Low cost lid support. Easy to use, easy to mount.
10" long. Flat Mounting Plate. Insert a screw in center channel.
Reversible. Bright Zinc Plated



S1749P
Solid Brass Locking Stay

Polished Solid Brass Locking Lid Stays for Lift-Up or Drop-Down.
For heavy duty applications. Locks in open position.
Polished Solid Brass in 8", 10", 12", and 16" open lengths.
Other sizes available on special order.
Sold in pairs, left and right handed.



Left Handed shown

S177L
Bronze Plated Stay

Economical stay for lighter lids.
7" open length.
Sold in pairs, left and right handed.
Bronze Finish



Right Handed shown

S1557N
Drop Lid Support

An economical stay, ideal for jewelry boxes and lighter lids.
Diminutive, small and elegant. 3" long.
Opens to 6"
Positive lock at 180°.
Sold in pairs, left and right handed.
Dull Nickel Finish



Left Handed shown

S259

Adjustable Tension Sliding Stays

Adjustable tension sliding quadrant stay with finger-tip flywheel control. Steel, 6 1/4" long. Handed, lefts and rights.

- S259P** Brass Plated Finish
- S259D** Antique Bronze Finish



Right Handed Shown

S187

Adjustable Tension Slotted Sliding Stays

Finger-tip flywheel tightening. 7" & 10" sizes. Unhanded, reversible.

- S1877D** 7" Antique Bronze Finish
- S1877P** 7" Brass Plated Finish
- S18710D** 10" Antique Bronze Finish
- S18710N** 10" Nickel Plated Finish
- S18710P** 10" Brass Plated Finish



S214N

Free Sliding Stays

For vertical-opening lids and horizontal door stops. Round Steel bar stock with Nylon slider. Unhanded, reversible. Nickel or Bronze Finishes

- S214N8L** 8" Bronze Plated
- S214N8N** 8" Nickel Plated
- S214N10L** 10" Bronze Plated
- S214N10N** 10" Nickel Plated



S2875L

Silent Quadrant Sliding Stay

No metal-to-metal contact. Pivoting friction slider fiber-lined for smooth function. 5" size. Handed, lefts and rights. Steel, Bronze Plated.

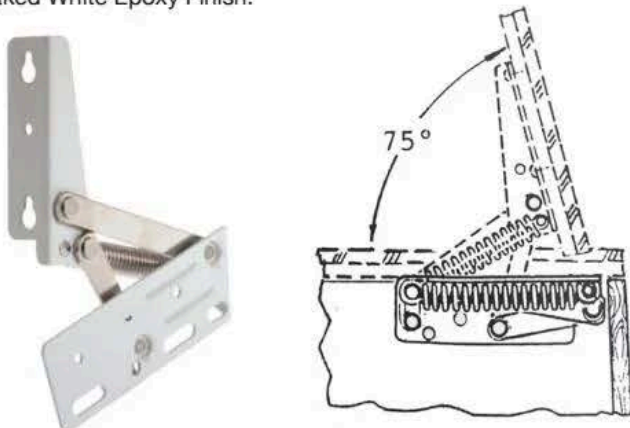
Left Handed shown



S1404575W

Cantilevered Spring Balanced Stays

For mirrored vanity tops and overhead storage. All Steel. Raises 75°. Easy lid removal and adjustable with keyhole slots. Adjustable tension. Handed, sold in pairs of lefts and rights. Baked White Epoxy Finish.



S157AL

Heavy Duty Lid Support

Quiet action locking lift-up supports. Patented spring-operated friction discs prevent slamming when lowered. Up-action: friction free motion to any stopping position. Down-movement: slow and controlled after release. For Bars, Pianos, Display Cabinets, and more. 6" overall open length. Sold in pairs, left and right handed. Steel, Bronze Plated.

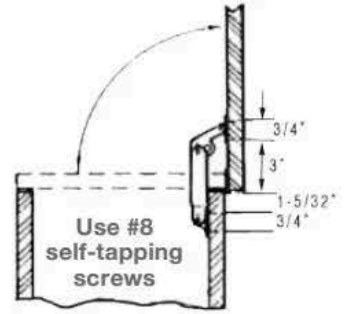
Right Handed shown



S57554L

Internal Self-Balanced Lift-Up Support

Anti-Slam Lift-Up lid support for toy chests, hope chests, piano benches, cellarettes, and more. Easy installation with only 4 screws (not included). Lighter lids need only one centered stay. Optional special order: paired left and right. All-Steel, Bronze Plated.



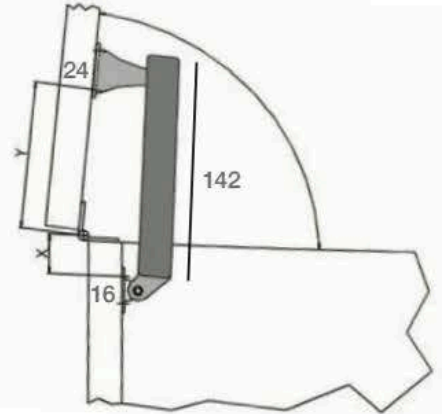
QS2012S

Single Helix Easy Lift Support

Easy up & softly down with EASYLIFT

Unique spring-plunger technology gives efficiency of force. Powerful but small and aesthetically pleasing. Mounts to the rear of the chest. Most lids require only one stay depending on the lid-depth. Will hold lids at an infinite number of intermediate locations between 25°-90°. Easy to install. Easy to use.

Black Nylon body with Steel springs and Nickel Plated brackets. For lids 19-26" long, weighing under 9 lbs. 5 3/4" long x 3/4" diameter X = 13-27mm, Y = 85 (minimum) - 96mm Heavier lids may require 2 stays.



X7020005Z

Lift-Up Ratchet Supports

Use wherever a tilt-lift is needed... beds, sofas, drafting tables! Lift to the desired angle and it locks in place. Lift again to release and it folds down. Rugged, Heavy Steel, Anti-Rust Finish. 10-position positive locking. Maximum operating arc: 112° Sold in pairs. 8 1/2" long with 7 7/8" rotating arm.



H2300

Lift-Up/Drop-Down Scissor Hinges

Scissor-action hinge to lift overlay lids on cedar chests, hampers, hassocks, tool chests or radiator covers. Also serves to control drop-down action on cabinet fronts. Sold in pairs (lefts and rights). Heavy Gauge Brass Plated Steel

Left Handed shown



SGS800 Series Gas Spring Pneumatic Stays

Gas Springs provide silent, effortless, precise and reliable movement unattainable with stays using metal springs or friction to control motion. The **SGS800** stays, usable on both down-moving and up-moving lids, are simple to install. The mounting brackets are applied to the case and the lid separately and then the body of the stay just snaps on. Unhanded, reversible.

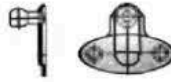
Five strength closing-forces are offered:

- SGS8006** 6 kg (13 lbs)
- SGS8008** 8 kg (17 lbs)
- SGS80010** 10 kg (22 lbs)
- SGS80012** 12 kg (26 lbs)
- SGS80015** 15 kg (33 lbs)

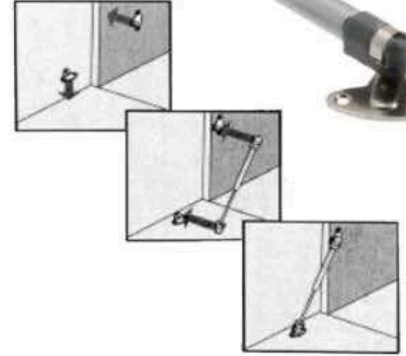
For Lift-Up Lids or Drop-Down Lids



sidewall mounting
32mm c/c



lid mounting 32mm c/c



Formula to determine the correct stay, and number of stays to use.

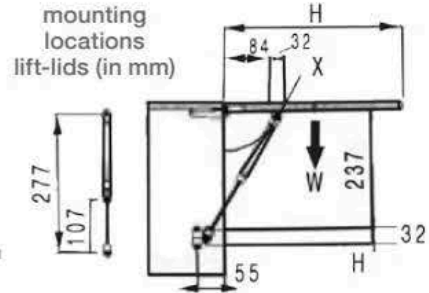
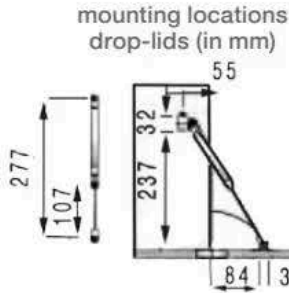
$$X = \frac{6 \times W \times H}{1000}$$

X = closing force
W = weight of lid in KG
H = height of lid in MM

Example:

A lid that weighs 22 lbs (10 kg) and is 10" high (254mm):

$$X = \frac{6 \times 10 \times 254}{1000} = 15.24 \text{ (use one SGS80015 stay or two SGS8008 stays)}$$

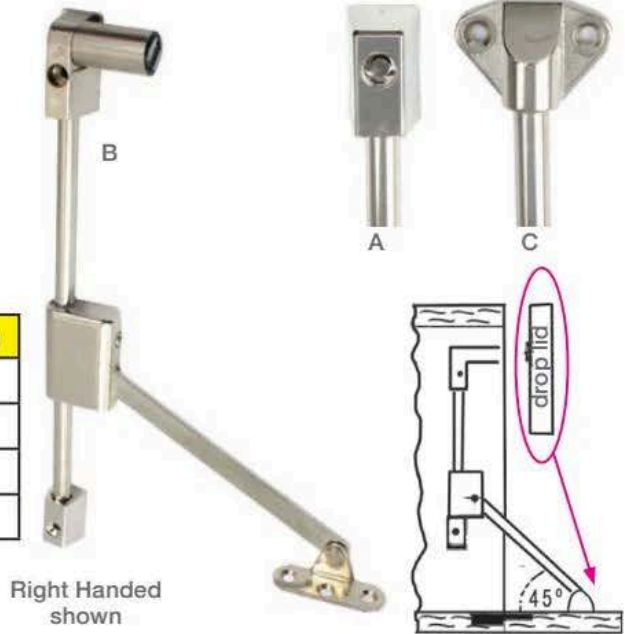


SX8500 Adjustable Braking-Action Lid Supports

Delivered pre-set to brake a 10 lb lid.
Chromed Steel rod and bar with Nylon slider control and Nylon ends.
Black, White or Brown. Hole distances in units of 32mm.
For vertical & horizontal use. Handed, lefts & rights.
Also available in a Die-Cast Nickel Plated housing.

Part #	Mounting Height (C/C)	Flap Height (Vertical)	Case Depth (Horizontal)
SX8519	192mm (7 ⁹ / ₁₆ ")	11"-14"	N/A
SX8525	256mm (10 ¹ / ₁₆ ")	14"-16"	11"-14"
SX8528	288mm (11 ⁵ / ₁₆ ")	16"-19"	13"-16"
SX8532	320mm (12 ⁵ / ₈ ")	19"-22"	15"-18"

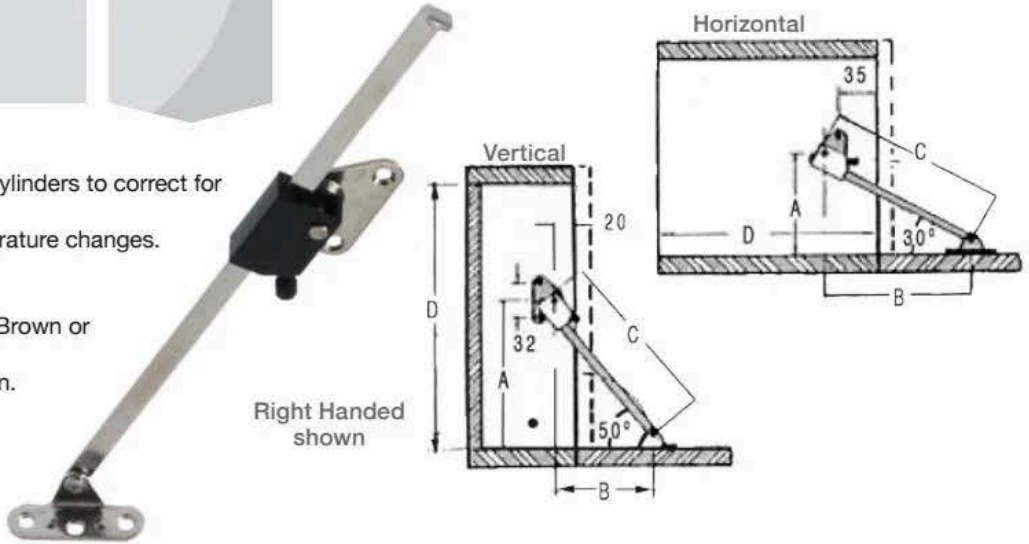
Type A (Standard): Supplied with one-hole bracket on each end.
Type B: Supplied with adjustable 13 lb magnetic catch on top and one-hole bracket on bottom.
Type C: Supplied with two screw hole brackets on each end.



SI8400

Flap Stays With Breaking Action

Unique braking action.
 Infinitely adjustable using miniature Nylon cylinders to correct for all flap weights.
 Cannot jam or slam. Not affected by temperature changes.
 All mountings are on 32mm system.
 For vertical or horizontal application.
 Chromed Steel bar & Nylon parts in Black, Brown or White. Handed, lefts & rights.
 Available for screw-on or drive-in installation.

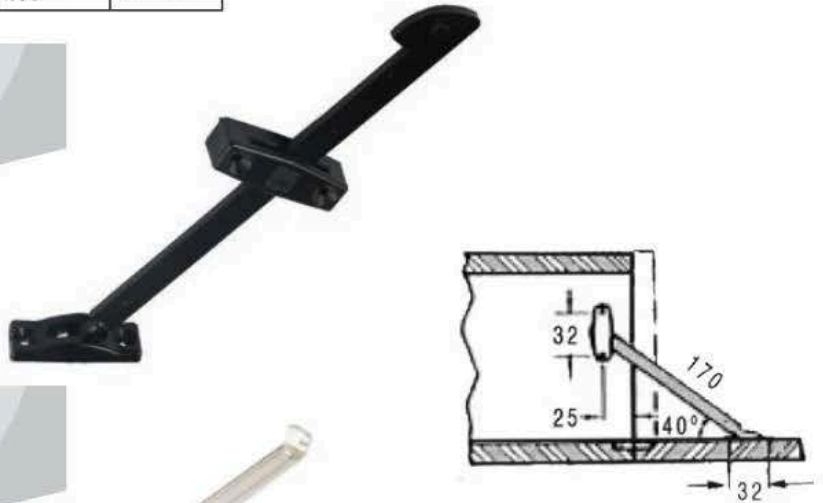


Vertical Use (Inches)			Part #	Horizontal Use (Inches)		
A	B	D	C	A	B	D
5"	3"	8 ⁵ / ₈ "	SI8420 (6 ¹ / ₂ ")	1 ⁵ / ₈ "	3 ¹ / ₂ "	8"-10"
6 ⁹ / ₁₆ "	4 ³ / ₁₆ "	13"-15"	SI8425 (7 ¹³ / ₁₆ ")	4 ³ / ₄ "	6 ⁵ / ₁₆ "	9"-11"
7 ¹ / ₂ "	5 ³ / ₈ "	15"-17"	SI8430 (9")	5 ⁵ / ₈ "	7 ³ / ₁₆ "	10"-12"
8 ⁷ / ₁₆ "	6 ¹ / ₈ "	17"-19"	SI8435 (10 ³ / ₁₆ ")	6 ⁷ / ₁₆ "	8"	11"-14"
9 ³ / ₈ "	6 ¹⁵ / ₁₆ "	19"-22"	SI8440 (11 ⁷ / ₁₆ ")	7 ³ / ₈ "	8 ⁷ / ₈ "	13"-17"

S815917S

Non-Corrosive Drop Flap Stay

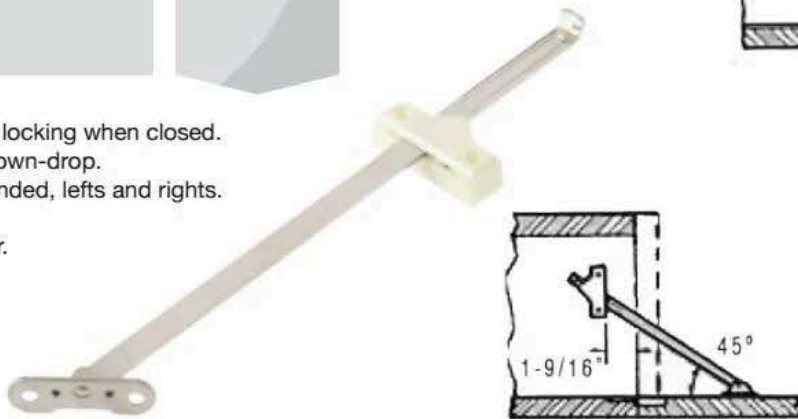
Not affected by high humidity or tropical temperatures.
 All holes on 32mm centers.
 Positive stops at each end (no catch needed).
 Reversible and Rigid. High Gloss Black Nylon.



SQ8325WAW

Automatic Drop Flap Support

Automatic braking action. Automatic locking when closed.
 Automatic shock absorber softens down-drop.
 Chromed Steel with White Nylon. Handed, lefts and rights.
 For flaps 10-13" high.
 Other sizes available on special order.



S0106256S
Adjustable Tension Lift Up Support

Tension is adjustable according to the weight of the lid.
Provides braking-action while the lid is closing downwards.
The upward, opening motion is free-sliding. 10" long. Reversible.
Chrome Plated Steel with Black ABS slide.



SC01B
Heavy Duty Random Stop Buffering Support

Heavy weight, high bearing capacity support with buffering.
Easy installation, easy speed and weight adjustment.
Ideal for overhead cabinet doors 28"-36" wide and 16" deep.
Overall length: 15 3/4" x 2 3/4" wide. Max weight capacity: 12 lbs.
Screw holes on bracket are 32mm c/c.
Arm is 8 3/4" long.
Handed, lefts or rights.
Gray and White ABS with Silver Anodized shaft.



S55N
Folding Stay

Ideal for directors chairs or art easels.
Locks at 180°.
Overall length is 9 3/16" x 9/16" wide.
Handed, lefts and rights.
Nickel Plated Steel.



S289N812P
Lid & Door Stay with Nylon Slider

Smooth sliding. Economical, easy to use in vertical or horizontal position. 8 1/2" long.
Steel, Brass Plated with Nylon channel insert.



D999OSB

Rated Capacity: 185 lbs

All-Steel ball-bearing extension slides with pivoted roller-action full swivel. Less than 1" high.

Male Track of **D999** is extruded Solid Steel bar.

14½" length x 12⅝" width x ⅞" height

Extends 9", Plate is 12½" square.



D999WIDE

Wide Track Swivel • Rated Capacity: 185 lbs

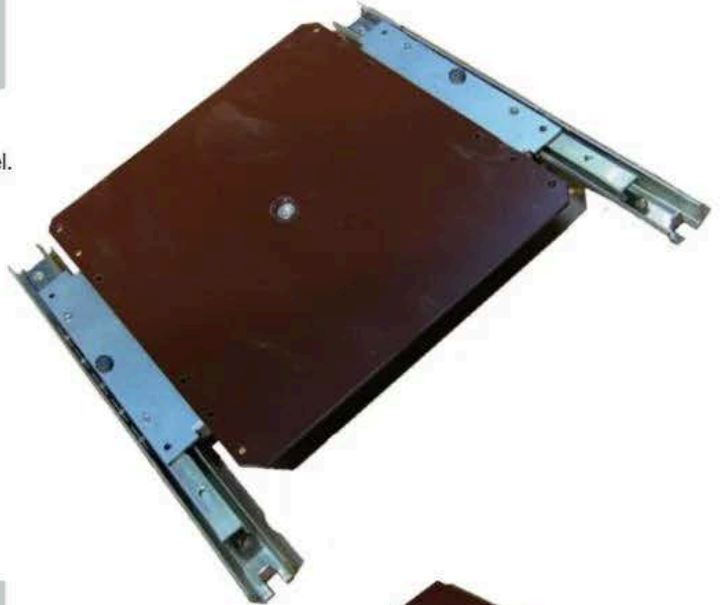
W-I-D-E track models for greater stability with wider loads.

All-Steel ball-bearing extension slides with pivoted roller action swivel.

Plate swivels 30° in each direction.

14½" length x 16⅝" width x ⅞" height

Extends 9", Plate is 12½" square.



D1007WIDE

Wide Plate Swivel • Rated Capacity: 185 lbs

All-Steel ball-bearing extension slides with pivoted roller action swivel.

Plate swivels 30° in each direction.

14⅝" length x 25½" width x 1⅞" height

Extends 8½", Plate: 24½" x 14".



D340U

Rated Capacity: 140 lbs

All-Steel ball-bearing extension slides with full ball-bearing action swivel. Center hole permits wire passage when needed.

Length: 12 3/4" x width: 13" x height: 2 1/8"

Extends 8 5/8", Plate is 10 1/4" square.



D1005U

Full Extension • Rated Capacity: 110 lbs

All-Steel ball-bearing double extension slides with pivoted roller action full swivel.

Length: 14" x width: 15 1/4" x height: 1 3/4"

Extends 13 1/2", Plate is 12 1/2" square.



D1004

Rated Capacity: 110 lbs

All-Steel ball-bearing extension slides with pivoted roller action full swivel.

D1004Z

Length: 13 3/4" width: 14" height: 1 3/4"

Extends 8 7/8", Plate is 12 1/2" square.

D1004WIDE

4" wider spread between tracks for extra stability with larger tools and appliances.

Length: 13 3/4" x width: 18" x height: 1 3/4"

Extends 8 7/8", Plate is 12 1/2" square.



Wide-Load Super Swivels

Full 360° Rotations

Precision-fit rings, one 1/16" (1mm) higher than the other, capture large steel ball-bearings for non-binding rotation. For entertainment centers, bar units, display cases, and more. Equipped with removable non-skid rubber pads which can be used on dining table tops.

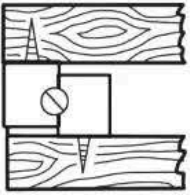
XLAZSUSN8AL

Material: Aluminum

Diameter: 8"

Height: 9/16"

Capacity: 175 lbs



8"

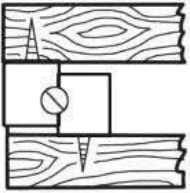
XLAZSUSN13DC

Material: Die Cast Zinc Aluminum Alloy

Diameter: 13"

Height: 9/16"

Capacity: 250 lbs



13"

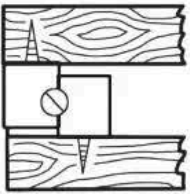
XLAZSUSN17AL

Material: Extruded Aluminum

Diameter: 17"

Height: 5/8"

Capacity: 450 lbs



17"

X48
Industrial Grade Heavy Duty Swivels

Heavy Steel Plates with strong ball-bearing raceways can accommodate loads under frequent use. These require heavy loads to activate. The heavier the load, the easier they rotate. Rated Capacity: 300 lbs

- X48614U** 6 3/4" square x 13/16" thick. Hole spacing: 5 1/4"
- X4811U** 10 1/2" square x 1" thick. Hole spacing: 7 15/16"



X488
Automatic Spring-Return Bar Stool Swivels

Ideal for use on chairs and bar stools. Heavy duty, 8" square with 7" hole centers. Heavy Steel Plates with oversized ball-bearing raceways.

Extra strong spring-motion for consistent return at 180°. Rated Capacity: 300 lbs

- X488U** Flat type, 15/16" thick
- X488X3DE** 3° tilt, 1" thick



X488U

X488X3DE

XLAZSUSN
Free-Turning Ball-Bearing Swivels

Lightweight, thin, strong swivels with captive ball-bearings for smooth 360° turning. Fully interlocked Steel Plates prevent ball-bearings from falling out without binding of rivets.



3", 4", 6"

9", 12"



Part #	XLAZSUSN3	XLAZSUSN4	XLAZSUSN6	XLAZSUSN9	XLAZSUSN12
Size	3" Square x 5/16"	4" Square x 5/16"	6" Square x 5/16"	9" Round x 5/16"	12" Round x 5/16"
Center Diameter	1 5/16"	2 5/32"	4 11/16"	4 1/2"	6 9/32"
Load Capacity	200 lbs	300 lbs	500 lbs	750 lbs	800 lbs
Panel Size	Up to 15"	12-24"	15-30"	17-35"	20-40"
Screw Size	#6	#6	#6	#8	#8

X300N
Precision-Quality Thin Swivel

A super-strong precision-crafted extra thin swivel. Rated Capacity: 400 lbs. 360° turn on captive ball-bearings. .078 heavy Cold Rolled Steel Terne-Plated for anti-rust protection. 3/8" center hole. Only 1/2" thin! Plate size: 6 1/8" square. No-sag construction. **Not for use on chairs or bar stools.**



X529S

Thin Swivel With Hub

Probably the thinnest swivel on the market! Its size and capacity make it popular in closets for shoe and handbag carousels. Great in kitchens for islands and breakfast nooks. An invaluable space saver in garages and workshops for organizing tools or nuts and bolts. One thin swivel, so many applications!

Height: $\frac{7}{64}$ "

Diameter: $12\frac{9}{16}$ "

Rated Capacity: 250 lbs

Complete with mounting hardware.

Black Nylon



XLAZSUSN11PL

Thin Nylon Ball Bearing Swivel

Nylon swivel with 8 ball-bearing inner raceway.

Rated Capacity: 200 lbs.

For computers, appliances, and so much more.

$11\frac{1}{4}$ " diameter, $1\frac{1}{16}$ " mounting height.

Molded Nylon



The Design-Your-Own Swivel-Hub Series

Ideal for home-assembly flat-pack furniture.

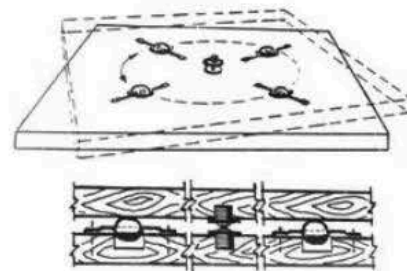
Three types of roller assemblies surround a snap-together swiveling hub.

XSWIVLHUB A Steel pin snaps into two Nylon bushings inserted in pre-drilled holes in the panels. No screws are used. Clearance between panels is $\frac{1}{2}$ ". Requires 12mm diameter holes, 10mm deep.

XSWIVELROLL Nylon drive-in housing contains a $\frac{3}{8}$ " Steel ball-bearing roller. Clearance: $\frac{1}{2}$ ". Requires 10mm diameter hole, 10mm deep.

XSWIVELROL2 Nylon roller mounted on a Steel base for screw attachment. Mounting holes for #6 screws on 32mm hole spacing.

XSWIVLROL4 The olive-on-a-stick Martini roller! Nylon roller mounted on a Steel shaft with flat spade ends. Drill two $\frac{7}{8}$ " diameter x $\frac{1}{2}$ " deep holes in lower panel to accommodate roller. Mounting holes for #5 screws on 64mm hole spacing. Clearance: $\frac{1}{2}$ ".

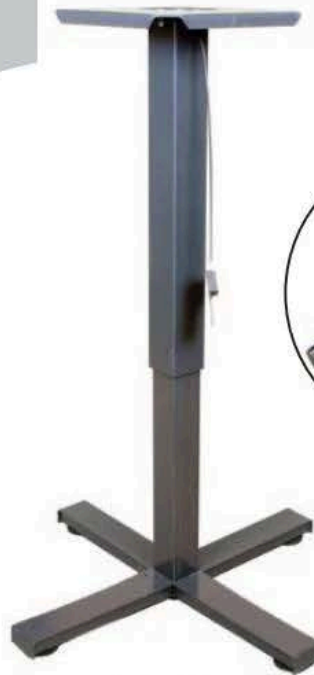


XBETA

Table Base Hardware

XBETA2644

High-Low table hardware with 4 star base. Height adjustable from 28" to 42" (pneumatic, non electric). Footprint of legs is 26³/₄" overall. Mounting plate: 12" square and screw holes 9³/₄" c/c. For table tops up to 31¹/₂" square or 32" diameter round.



XBETA2644



XBETAFLIPONE

XBETAFLIPONE

Flip One table hardware with tripod base. Supporting arms rotate table 90° for easy storage and stacking (non-electric). 41" high base, footprint is 25". Spread of four mounting arms is 17¹¹/₁₆". Screw holes on arms are 16¹/₄" c/c.

XFLIPNSTORE

Flip And Store Table Hardware

Long table hardware with three supporting arms that can rotate table top 90° for storage and stacking. 27¹/₂" tall x 5 ft 2¹/₄" long x 27³/₄" deep. Screw holes on three arms are 14⁹/₁₆" c/c. For table tops up to 36" wide and 84" long.



XFLIPNSTORE

XTPE287

Spring Assisted Table Lift

Turn a coffee table into a work table in seconds!

Converts a coffee table into a dining table or work table with an easy spring assisted lift.

Unitized All-Steel construction requires no maintenance.

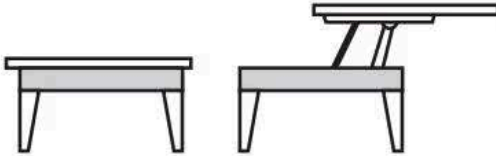
Mechanism: 24" long x 19½" wide x 37/16" high

Lifts table top 8"

Lifetime Baked Black Epoxy Finish

Minimum size of top: 35" x 25"

Optimum weight of table top is 20 lbs



DTL466500

Long Console Extension Table Slides

Discover 42" of additional table or counter space in your living area.

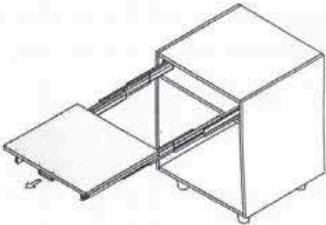
The perfect slides for adding counter space in your kitchen. Also ideal for RVs. Our Console Extension Table Slides are pull-out slides for console extension tables and wall furniture pull-out tables. They are composed of Anodized Aluminum sections for smooth operation.

2" (51.5mm) high x 3 1/5" (81.5mm) wide. 19 11/16" (500mm) long when closed. 61 13/16" (1570mm) when fully extended.

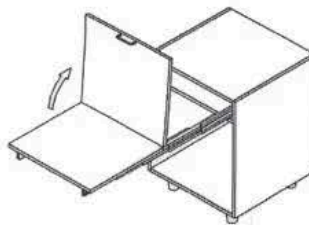
Each pair is rated at 35lbs.



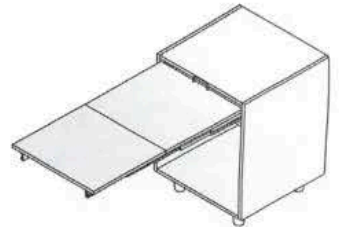
Closed



Slides Opening



Top Panel Turning



Opened

DTL3506U

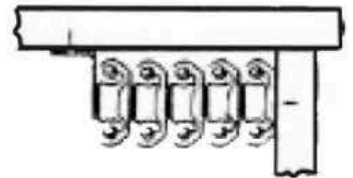
Console Extension Table Slide

Pull-out slide for console extension tables and wall-furniture pull-out tables. Bonderized Steel sections on 96 ball-bearings for smooth operation.

1 ½" high x 14" long. Full open to 68"

Maximum Extension 54"

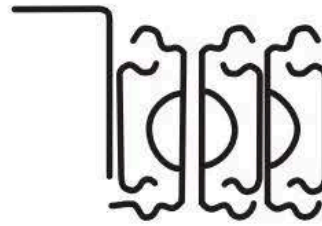
While these slides are constructed to hold up and not sag, a folding leg support should be used on any extension over 36". See page 125.



Formed Steel Telescopic Slides

Heavy-gauge roller Steel sections with heavy duty ball bearings. Durable and smooth function with no sag construction. Appealing Black Finish. Low-priced for mass production. 2³/₁₆" high. For Pedestal or Four Leg Tables.

Part #	D9212U	D9218U	D9316U
Closed Length	20"	30"	30"
Expansion	26"	38"	50"
Number of Leaves	2 x 12"	3 x 12"	3 x 16"
Height	2 ³ / ₁₆ "	2 ³ / ₁₆ "	2 ³ / ₁₆ "

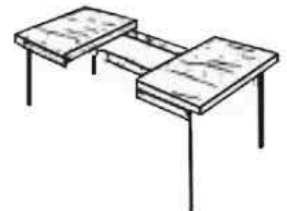
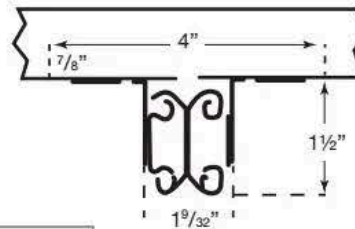


D1569U

Extra Strong, Low-Profile Table Slide

Stationary double center section, double welded, heavy Cold Rolled Steel gives this slide exceptional strength. Extensions are ball-bearing mounted. Balanced overlay of component sections minimize sag when opened to extreme. Low-profile (only 1 1/2" high) permits the slide to be concealed on tables with narrow aprons. Closed length: 31 1/2", Extension: 44", Width: 4", Height: 1 1/2" Mounting surface: 1 3/8" wide

(Parsons tables require center leg support)

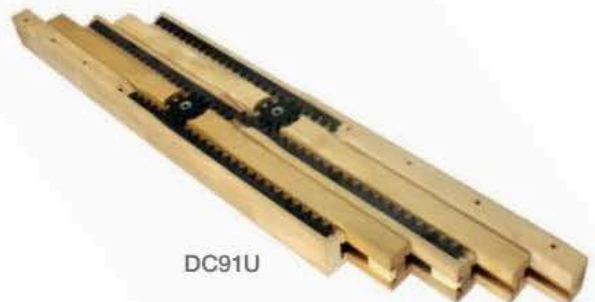


While these slides are constructed to hold up and not sag, a folding leg support should be used on any extension over 36". See page 125.

Wood Reciprocating-Action Table Extension Slides

Equalizing table slides of interlocking hardwood sections with reciprocating Steel gear controls. Opening or closing one end automatically opens or closes the opposite end in an equal amount, making it possible for one person to operate. DC91U and DC914LEG are double geared slides.

Part #	Closed Length	Extends	Height	Width	Sections	Geared	Type of Table
DC84U	26"	26"	2 1/4"	2 7/8"	3	yes	Pedestal
DC844LEG	26"	26"	2 1/4"	2 7/8"	3	yes	4 Leg
DC91U	26"	50"	2 1/4"	5 1/2"	5	yes	Pedestal
DC914LEG	26"	50"	2 1/4"	5 1/2"	5	yes	4 Leg

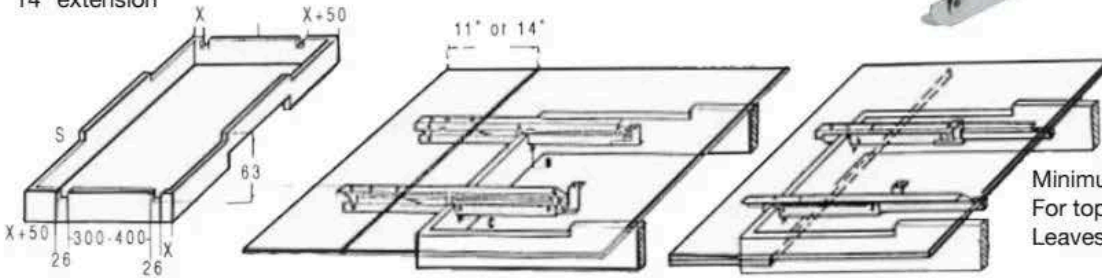


While these slides are constructed to hold up and not sag, a folding leg support should be used on any extension over 36". See page 125.

X4 Refectory Table End-Extender

Telescopic table extender brings 11" or 14" extensions out from under the table top and automatically locks them up into place on a spring-activated pop-up mechanism. Releases easily on pull-out and automatically drops leaves back to the storage position underneath the ends of the table top. Adjustable! Durable! Easy to install! All-Steel! Anti-Rust Plated! Sold in sets of two pairs for both ends of one table.

- X4PZ** 11" extension
 - X40PZ** 14" extension
- "S" dimension = Thickness of table top + 2mm clearance



D650125U / D768U Double-Acting Pedestal Table Big Slides

Heavy-duty Cold-Rolled Bonderized Steel on 48 tempered Steel ball bearings. Both sides open off unitized side piece for rigidity. 17/16" height easily hides behind narrow apron. Mounting surface under top is 7/8" wide.

- D650125U** Closed length: 26"
Extends: 49"
Full opening: 75"

- D768U** Closed length: 31 1/2"
Extends: 65"
Full opening: 96 1/2"



While these slides are constructed to hold up and not sag, a folding leg support should be used on any extension over 36". See page 125

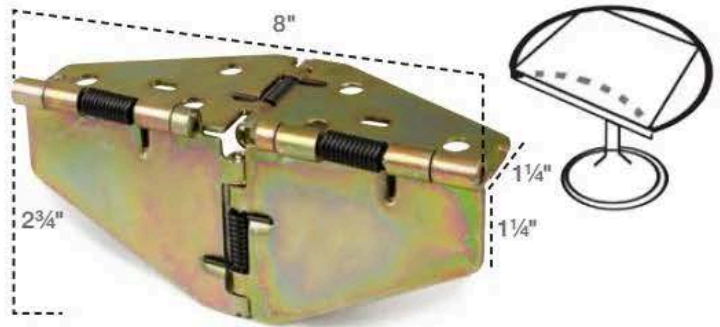
DC6011200 Extension Table Slide

Extruded aluminum extension table slide. 1 5/8" high x 50 1/2" long, full opening to 88", with a central opening of 40", for 38" of leaves. Smooth, quiet, easy motion. Cable-controlled reciprocal action. As one side is opened, the other side opens automatically. Extra-thick profile prevents sagging. **For four leg tables**



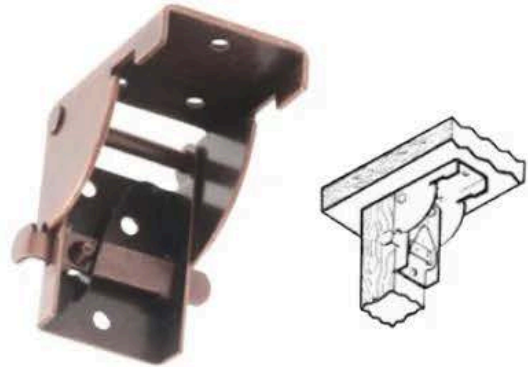
H899P
Restaurant Table Hinges

Turn a square table into a round table, increasing surface area 58%! Extension leaves fold flat under table top, opening 180° to provide secure extension. Use on the four sides of a square table to make a large round table or on the ends of a rectangular table to lengthen. Automatically locks in both open and closed positions. Brass Plated Heavy Steel. Packed in sets of 8 hinges with deep thread wood cutting screws.



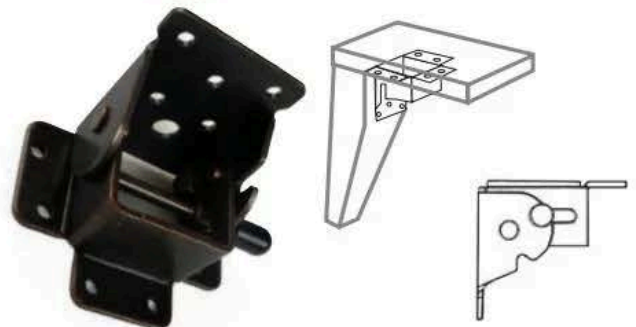
S149L
Folding Leg Fitting

The old card table leg fitting, now for more popular use on folding tables for gatherings and for long extension tables where it is necessary to provide additional support legs. Folds up underneath when not in use. Spring-activated trigger-release provides positive locking in both open and closed positions. Accommodates 1 1/2" square leg without cutting or shaping. Unhanded. Steel, Bronze Plated.



H65800L
Heavy Duty Folding Leg Fitting

This leg fitting takes it to a heavy-duty level. It has no limit on the size of the leg! The rugged construction will hold up heavy legs or folding shelves. Unhanded. Steel, Bronze Plated.



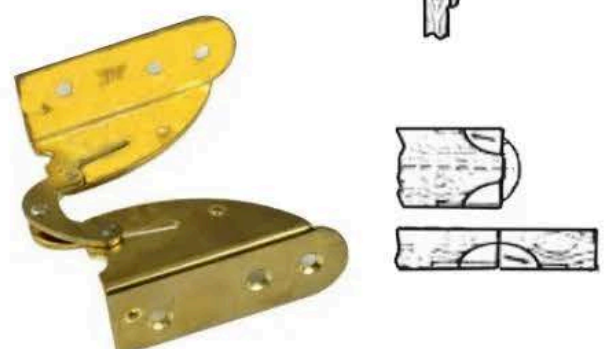
H417L
Drop Flap Hinge

Provides a square corner on a drop-flap. Eliminates costly shaping of the edges. Requires small mortise under table top. Fully concealed. Handed. Heavy Steel, Bronze Plated.



HO79P / HO81P
Folding Flap Hinges

Brass Plated on .058 Steel for wood flaps. For folding table flaps or to shorten projecting shelves. Used to store table leaves under table top by folding in half. Requires mortising into the wood. Unhanded.

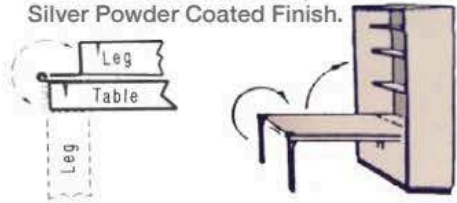


HO79P For 3/4" thick wood
HO81P For 1 1/4" thick wood

H11527K Swing Leg Hinge

Allows legs, hidden inside cabinet, to swing open when table flap is dropped to horizontal. When flap is raised, legs swing inside. Accommodates 1" square "U" leg of wood or Steel and 3/4" thick table flap.
6 countersunk holes for #6 flat head screws.

.060 Cold Rolled Steel,
Silver Powder Coated Finish.



XTAF Table Top Fasteners

Screwed into the underside of the table top, XTAF locks into grooves in the table apron to fasten the apron to the top. Extra heavy 14 gauge Steel for strength and durability.

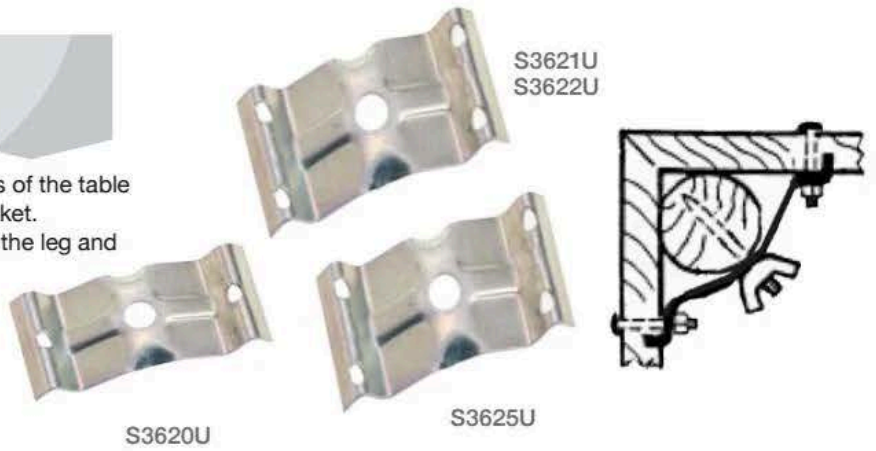
XTAF12 3/4" wide
XTAF13 1" wide



S3600 Series Table Apron Leg Brackets

Heavy Gauge Steel Brackets hold together the four corners of the table apron and provide a means of fastening the leg to the bracket. A hanger bolt (sold separately-see page 135) is driven into the leg and locked into place through the bracket with a wing nut. Zinc Plated Finish

- S3620U 1 1/2" high x 3" wide
- S3621U 1 3/4" high x 3" wide
- S3622U 2" high x 4 3/4" wide
- S3625U 2 1/2" high x 4 3/4" wide



X1008P Table Pin & Socket

Table pins (male) and sockets (female) ensure positive alignment of table leaves and avoid distortion due to expansion and contraction. Fits into an 8mm diameter drilled hole. Zinc Plated (5/16" diameter)



XTLV1Z Table Top Evener

Heavy 16 gauge Ribbed Steel to keep divided table tops on an even level. 1 1/2" long x 3/4" wide.



P25 Pins Plastic Table Pins

Tan Polyethylene pins with glue-retainer ribs. Will not shrink, swell or rust. Smooth, self-lubricating.

- P2580B 5/16" diameter x 3 1/32" long
- P2581B 3/8" diameter x 1 1/4" long



TCFH425AB Zinc Alloy Fluted Table Pin

15/16" long
Fits into a 5/16" drilled hole
Rich Satin Brass Finish



S557 Series

Table Apron Drop Leaf Supports

Prime Heavy Gauge Steel and spring loading provide rigid support for raised leaves. Prevents closing until spring tension is relieved by pulling on the release ring.



- SDLS16U** 6" open length (rivet-to-rivet)
- S5578U** 8" open length (rivet-to-rivet)
- S55710U** 10" open length (rivet-to-rivet)
- SDLS112U** 12" open length (rivet-to-rivet)

To determine (B) mounting location

Part #	Length	A = 1/2"	A = 1"	A = 1 1/2"	A = 2"	A = 2 1/2"	A = 3"	Finish
SDLS16U	6"	2 9/16"	2 3/8"	2"	1 5/8"	X	X	Zinc Plated
S5578U	8"	2 7/8"	2 1/2"	2 1/8"	1 3/4"	1 3/16"	X	Zinc Plated
S55710U	10"	4 3/4"	4"	3 9/16"	3 1/4"	2 7/8"	2 3/8"	Zinc Plated
SDLS112U	12"	4 7/8"	4 1/8"	3 3/4"	3 3/8"	3"	2 1/2"	Unplated

L306P

Solid Brass Table Keeper Fork

For heavier table tops in traditional styles. Three piece set in Solid Brass: horse shoe connector and two catch units with internal Steel friction springs. Fork fits into spring-loaded anchors to hold together extension tables in the closed position.
3/4" high x 3 11/16" wide x 1 15/16" deep
Mounts on 2 1/4" c/c and holes on each mount are 3/4" c/c
Polished Brass Finish



See Page 98
For Additional
Table Locks

K52168U

Countertop Joiner

A strong concealed fitting for precision joining of countertops. Die Cast metal half moons with a 3 1/8" Steel carriage bolt and hex nut. Drill a 35mm hole (minimum depth of 5/8") 1 1/4" - 1 1/2" from the edge to be joined.
A 7/32" cross-hole will pass the bolt. Nothing protrudes underneath.



XFIG8WRTU

Desk Top Fastener

Wrought Steel "Figure 8" desk top fastener for mounting desk tops to pedestals, 1 5/16" long x 3/4" wide. Requires one #9 screw and one #11 screw (not included).
Zinc Plated Finish



XFIG8SOLID

Desk Top Fastener

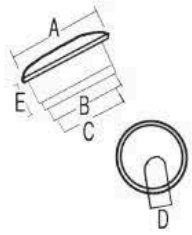
A solid Stamped Steel version of the original Figure 8 desk top fastener. An easy way to connect tops to bases on tables, desks, and cabinets. Also useful for connecting legs to tops. Allows for seasonal expansion and contraction. 1 1/8" long x 5/8" wide. Requires two #6 flathead screws (not included).
Zinc Plated Finish



PSWC Series
Round Wire Controllers

Computer desks without electrical spaghetti!
Electrically Safe Nylon with snap-out caps in five sizes.
Black, Brown, Almond, Light Gray, or White

Part #	A (OD)	B Hole Diameter	C (ID)	D Slot Width	E Height
PSWC445	1 3/4"	1 17/32"	1 3/8"	1/2"	5/8"
PSWC51	2"	1 3/4"	1 5/8"	5/8"	5/8"
PSWC60	2 3/8"	1 15/16"	1 7/8"	3/4"	5/8"
PSWC76	3"	2 9/16"	2 5/16"	7/8"	5/8"
PSWC89	3 1/2"	3 1/32"	2 3/4"	7/8"	5/8"



PSWCOVALS
Large Oval Wire Controller

Molded desk top wire controller.
Hinged flap folds underneath top to enable wire access.
6 9/16" long x 3" wide with 3/16" ridge overlapping the hole cutout.
Electrically Safe Nylon.
Black



PSWCRECTS
4-Position Wire Controller

Four different size spaces to accommodate various wire sizes and connectors.
Lift the cover and snap out the space needed.
4" long x 2" wide x 1/2" high
Electrically Safe Nylon.
Black



X200
Desktop Electrical Computer Stations

Pop up power supply can fit inside desk tops or countertops.
With a simple push, a panel pops up with two power outlets, a USB port, and an Ethernet port. Cut-out must be 4 3/4" long x 5 7/8" wide x 4" deep into surface.
Overall exposed station is 5 1/8" long x 6 1/8" wide.
Panel pops up 2 1/4".

- X200C Satin Anodized Silver
- X200S Satin Anodized Black



PSWC3800BN / PSWC8800S
Wired Power Grommets

PSWC3800BN 38mm diameter Power Grommet. Fits into a 38mm drilled hole and features 2 USB ports. Rotating Brushed Nickel cover conceals the USB ports when not in use.

PSWC8800S Wired Power Grommet. Fits into an 80mm drilled hole and features 2 USB ports and one grounded electric outlet. Open slot to run cords through to avoid clutter. Black.



PSWC3800BN



PSWC8800S

**Locked Storage Drawer
For Laptops Or Tablets**

Fastens underneath table. Screws not accessible when locked.
Heavy-Duty Black Steel Construction with secure built-in cam lock.
Pulls out 13 5/8". Notebook may be used without removing from drawer.
Integrated padded wrist rest.

- X6101LLD** 15" wide x 17" deep
- X6151LLD** 18.8" wide x 17.6" deep



Drawer, unlocked and extended.
Laptop open and in operable position or it
may be removed for use elsewhere.



XKD55M
Keyboard Pullout

With swiveling mouse tray. Mouse tray attaches to right or left side.
23" wide x 14" deep. Extends 11". Ergonomic styling.
Ball bearing slide locks in open position.
Gray or Black



PAUG0000S
Pencil Tray

Ergonomic with three compartments.
Pencil tray mounts in desk drawer with easy attaching bracket.
Fits any drawer at least 12" wide.
12" long x 4" wide on widest end x 1" in height.
The two screw holes on bracket are 2 1/2" c/c.
Molded Black Plastic



XTUBE

Chrome Plated Wardrobe Tubing

Wardrobe tubing.

Heavy Chrome Plating on 1.5mm thick Steel.
Packed five lengths per carton.

- XTUBE8K** 1 1/4" OD x 8 ft long
- XTUBE10K** 1 1/4" OD x 10 ft long
- XTUBE12K** 1 1/4" OD x 12 ft long

XTUBEX1X490 1" OD x 19 1/4" long

Other lengths available on special order.



Wardrobe Tube End-Holders

Metal Die Castings

Closed End-Holder

X83212 for 1 1/4" Tube

Flange projects 13/16" from face
Polished Chrome Plated
or Polished Brass Plated



Lift-Out End-Holder

X83232 for 1 1/4" Tube

Flange projects 5/8" from face
Polished Chrome Plated



Closed End-Holder

X83320K for 1" Tube

Flange projects 7/8" from face
Polished Chrome Plated



Lift-Out End-Holder

X83340K for 1" Tube

Flange projects 7/8" from face
Polished Chrome Plated



X1989350N

Slide Out Rack For Clothes And Ties

An elegantly crafted, easy-to-install, utility rack for hanging clothes in a closet or wardrobe. Attaches to underside of shelf with four #8 round head screws (not included).

Nickel Plated Steel housing with Black ABS Nylon pullout.
14" long with 8" extraction.



QXN0435

Pullout For Clothes, Ties Or Towels

An economical, versatile pullout for fastening in closets, wardrobes, kitchens, laundry rooms, or anywhere else. Chromed-Steel Wire in Black Polyethylene housing. Fastens with four #8 flat head screws (not included).

14" long with 10 1/2" extraction.

(Available in 10", 12", 16", and 18" lengths and other colors on special order).



XTROUSERCKK

Trouser And Tie Rack

Rack for Trousers and Ties. Overall length: 21 1/2" x 5 3/4" tall.

Each hanger pole is 17 1/2" long. Screw holes on both ends are 2 5/8" c/c.
Steel, Nickel Plated with Black Nylon



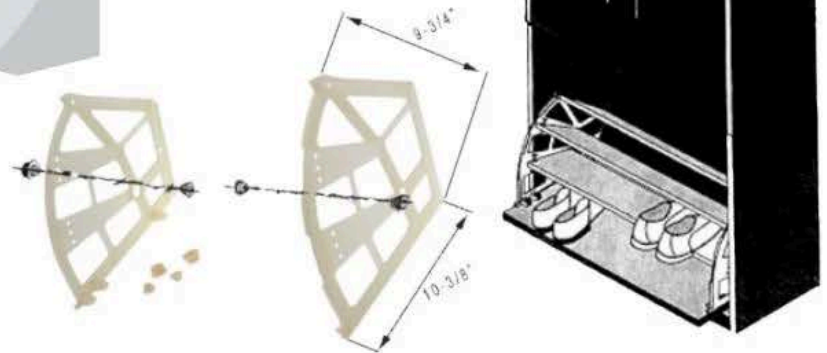
TK264C
Recessed Clothes Hook

Can be recessed into surface for a flush fit or surface mounted. Pull the hook out and you have an ideal fixture for closets and laundry rooms. 5 1/2" tall x 5/8" wide x 3/8" deep. Hook protrudes 4 7/16" when lowered. Brushed Satin Chrome finish



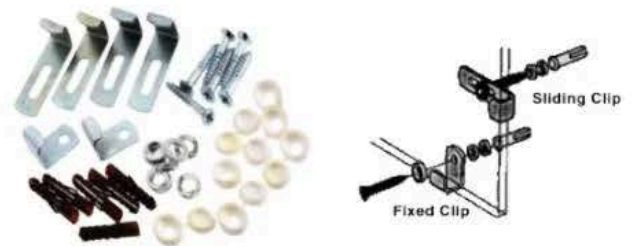
XSC1
Pivoting Shoe Caddy Hardware

Storage for 15 or more pairs of shoes neatly positioned at the bottom of a cabinet, closet, or bench. Molded Nylon brackets fasten to the inside of the "drawer" front and pivot on the cabinet sides. Mounting levels are built-in to receive three wood shelves at the desired spacing. No hinging required. Minimum required height: 10 1/2".



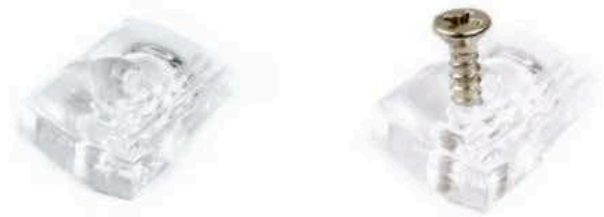
XMF726
Mirror Hanger Set

Mirror clip set. Set consists of 2 fixed bottom clips, 4 adjustable side/top clips, hollow-door screw plugs, washers, screws, and screw covers. Side clips are slotted to permit centering of mirror. Packaged in complete sets, 100 sets per box.



XHW0499
Clear Mirror Clip

Plastic, Transparent. Stocked in clips for 1/8" or 3/16" thick glass. Clips for 1/4" glass available on special order. Fastens with #6 flathead screw (not included).



XMT16SIL
Metal Hanger, Silver

The Unbreakable Classic Hanger. Metal, covered with a thick layer of Silver Rubber to prevent slippage. 19" long x 8" tall. Sold in packages of 36.



XCLEARPAD

Crystal Clear Adhesive, Glass-Shelf Bumpers

Non-Skid Clear butyrate bumpers adhere to shelf rests and table tops to accommodate glass shelves safely. Sold in boxes of 1000 pieces, mounted on peel-off sheets of 200.
Also used as door bumpers on glass and wood doors.

XCLEARPAD 1/2" diameter x 1.5mm (1/16") thick

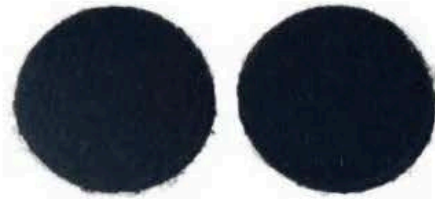
XTHCLRPAD 1/2" diameter x 3.5mm (3/16") thick



X4102495S

Processed Wool Felt Pads

Ideal for use as door bumpers, or to stick on glass table tops to protect furniture from scratches. 2 pads per sheet, packed in lots of 100 sheets. 3/8" diameter felt pad, Black



XANTITIP

Anti-Tipping Restraint

Prevent large pieces of furniture from tipping over. Kit includes extra strong 10" Nylon cable, screws, wall anchor and Steel fastening brackets.

Packed in plastic bag (with installation instructions).



PTOASTERS

CD And DVD Rack

Rack holds 9 CDs or DVDs. 6 1/4" long x 6 1/16" wide, max thickness of 7/8". Easily snaps into grooves cut into pre-holding panel. Molded Black Plastic.



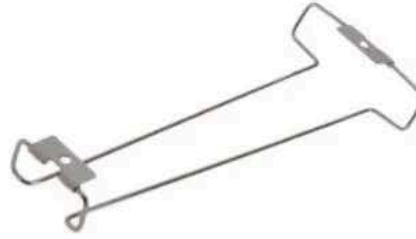
Several can be stacked in a panel.

XXWG
Wine Glass Racks

Functional, space-saving, contemporary design to fasten to overhead shelf. Easy to install, easier to use. Heavy gauge Steel.

XXWG11 9" long for home use. Polished Brass, Polished Chrome, Powder Coated Black, Powder Coated Pewter.

XXWG16 16" long for commercial and hotel use. Polished Brass or Polished Chrome.



XXWB1
Single Wine Bottle Holders

Diamond-shaped design is not only more pleasing to the eye, it holds the bottles steady and prevents them from rolling. 4 1/2" x 4 1/2" in size, off-center fastening plate makes screw insertion easy. Polished Brass or Polished Chrome.



XHUMID1
Small High Class Humidifier

Specially formulated core provides moisture to the interior. Easily opens when wetting is required. 2 5/8" diameter x 5/8" thick. Fastens to underside of humidor lid with Velcro. Available in Black or Brass Colored ABS.



X150HYGRO
Hygrometer

Maintains constant measure of the moisture content of the air inside the humidor to keep the contents fresh. 2 5/8" diameter x 5/8" thick. Fastens to underside of humidor lid with Velcro. Polished Brass Finish.



QCHAIN8
8" Chain

8" All-Purpose chain. Usually used on drop-down doors. Antique Brass Finish.



P69510
Door Stop With Two Nails

Small two pinned door stop ideal for cabinet door stops. 10mm in height x 19mm wide x 6mm thick. Brown or Black Nylon.



Metric Hole Boring Bits

X2518
Precision Carbide Borers

Precision carbide-tipped borers can be resharpened after drilling 20,000 holes in plastic laminated board. For single or multiple-spindle bore machines. Shank: 57mm long by 10mm OD. Stocked right hand only. Left hand available on special order.



Part #	Hole OD	Part #	Hole OD	Part #	Hole OD
X25185U	5mm	X251815U	15mm	X251826U	26mm
X25186U	6mm	X251816U	16mm	X251830U	30mm
X25188U	8mm	X251818U	18mm	X251835U	35mm
X251810U	10mm	X251824U	24mm	X251838U	38mm
X251812U	12mm	X251825U	25mm	X251840U	40mm
X251814U	14mm				

X350
Metric Spiral Machine Drill Bits

Brad-point spiral machine drill bits of Chrome-Vanadium Steel. For bushings, dowels and threaded inserts. Specially-sharp cutting lips. Other diameters: 3mm-30mm



Part #	Body Size	Shank Size
X3505U	5mm OD x 90mm	5mm x 30mm
X3506U	6mm OD x 100mm	6mm x 30mm
X3508U	8mm OD x 120mm	8mm x 30mm
X3509U	9mm OD x 130mm	9mm x 30mm
X35010U	10mm OD x 140mm	10mm x 30mm

X5000
Economy Carbide Borers

Carbide-tipped "Econo-Bits" to drill 5,000-10,000 holes in plastic laminated panels and then throw away! Not resharpenable. 57mm long shank x 10mm OD. Four sizes:

- X5025 (25mm diameter)
- X5026 (26mm diameter)
- X5030 (30mm diameter)
- X5035 (35mm diameter)



X30026U
Hinge Hole Cutter

Use for drilling standard 26mm hinge holes (in wood only). Low cost, disposable. 5/16" shaft



Duplex Diameter Step Drill Bits

For connecting screws with 2-diameter body (see page 76). One drill bores two-diameter hole in one operation.



Part #	Small Diameter	Large Diameter	Shank
X25185X40U	3.5mm x 40mm long	5mm x 5mm long	6.5mm OD x 26mm long
X25187X50U	5mm x 50mm long	10mm x 12mm long	6.5mm OD x 26mm long

Screws and More

Choose the right fasteners to use!



Flat Head Phillips

F58X3FPAL #3 x 5/8" Bronze Plated
 F58X3FPAN #3 x 5/8" Nickel Plated
 F58X3FPAP #3 x 5/8" Brass Plated

F12X4FPAN #4 x 1/2" Nickel Plated
 F12X4FPAP #4 x 1/2" Brass Plated
 F58X4FPAL #4 x 5/8" Bronze Plated
 F58X4FPAN #4 x 5/8" Nickel Plated
 F58X4FPAP #4 x 5/8" Brass Plated

F12X5FPAL #5 x 1/2" Bronze Plated
 F12X5FPAP #5 x 1/2" Brass Plated
 F58X5FPAL #5 x 5/8" Bronze Plated
 F58X5FPAN #5 x 5/8" Nickel Plated
 F58X5FPAP #5 x 5/8" Brass Plated

F12X6FPAN #6 x 1/2" Nickel Plated
 F12X6FPAD #6 x 1/2" Antique Brass
 F58X6FPAL #6 x 5/8" Bronze Plated
 F58X6FPAN #6 x 5/8" Nickel Plated
 F58X6FPAD #6 x 5/8" Antique Brass
 F58X6FPAP #6 x 5/8" Brass Plated
 F34X6FPAN #6 x 3/4" Nickel Plated

F58X8FPAL #8 x 5/8" Bronze Plated
 F58X8FPAN #8 x 5/8" Nickel Plated
 F58X8FPAP #8 x 5/8" Brass Plated
 F1X8FPAN #8 x 1" Nickel Plated



Round Head Phillips

F58X4RPAL #4 x 5/8" Bronze Plated

F58X5RPAL #5 x 5/8" Bronze Plated
 F58X5RPAN #5 x 5/8" Nickel Plated

F58X6RPAL #6 x 5/8" Bronze Plated
 F58X6RPAN #6 x 5/8" Nickel Plated



Hanger Bolts / Combination Screws

Hanger Bolts

F14X35HBU 1/4 - 20 x 3 1/2"

F516X25HBU 5/16 - 18 x 2 1/2"

F516X4HBU 5/16 - 18 x 4"

Combination Screw

F832SMHSU 8 - 32 x 3/4"



Flat Head Square Drives

F12X5SQHDD #5 x 1/2" Antique Brass
 F12X5SQHDP #5 x 1/2" Brass Plated
 F34X5SQHDP #5 x 3/4" Brass Plated



F588PHIL67

Phillips #2 Screw Driver

67mm long



Euro Screws

FEUROSREW 6.3mm diameter x 9mm long
 FEUOSCR12 6.3mm diameter x 11.5mm long



GMVCO18SP

Steel Escutcheon Pin

Brass Plated Steel Escutcheon pin
 2.1 mm diameter, 1 1/2" long





Terms of Sale:

Shipments are made to credit-approved accounts on terms of Net 30 days, no discounts. If credit has not been established, please provide full payment, including freight, in advance. Credit cards are accepted.

MINIMUM ORDER: \$100.00. All shipments are FOB warehouse at the lowest possible cost.

There are no COD shipments.

Ordering:

Orders are placed by mail, email or fax. Please note orders are processed and sent to the shipping department within two hours of receipt, so cancellations may be too late. Cancellations must be faxed or emailed; verbal cancellations are not accepted. Orders are confirmed by fax or email, and should be reviewed for accuracy as soon as possible to ensure proper shipping.

Damaged Goods:

All merchandise is inspected before shipment. For goods received damaged, immediately request an inspection from the delivery carrier. Save the cartons and wrappings. Notify us in writing within 7 days.

Returns:

Please email or fax for a RETURN GOODS AUTHORIZATION before returning any merchandise, specifying the reason for the return and the exact quantity. Our receiving department will not accept deliveries of returns not identified by an RGA number. Goods which have been shipped as ordered and are approved for return are subject to a 15% restocking charge (minimum \$25) and the request for the return must be made within 7 days after receipt.

To Open an Account:

Request a credit application, which may be sent by fax or email.

Allow two weeks to check references and to forward written confirmation to you.

Customer Service

Customer service hours are 8:30 AM - 5:00 PM, Eastern Standard Time, Monday - Friday.

You may contact us at 718-993-3700 or FAX 718-993-3143 or email info@selbyhardware.com.

Information contained in this catalog is for reference only, and subject to change without notice.

Printed in the United States

Copyright Selby Furniture Hardware Co., Inc 2021

Selby Furniture Hardware Company, Inc., started in 1949 with the concept of offering a complete “one stop” source of hardware for the woodworking and furniture industry, dedicated to introducing new solutions to improve the assembly, design, and function of products in furniture manufacturing and related industries.

This concept was unique at the time, and Selby became known as an innovator of new hardware. In 1964, Selby was dubbed the “Houdini of Hardware” by leading furniture designers and publications. Selby scours Europe and elsewhere for hardware developments that improve North American industries in home and office furniture, marine and aircraft interiors. Among its unique introductions, then unknown in the United States, were:

- | | |
|--|--|
| European type concealed hinges | Eccentric-cam concealed KD fittings |
| No-mortise flush hinges | Table extension mechanisms for self storing leaves |
| TV pullout swivels | Taper connectors for wood-joining |
| Concealed brass cylinder hinges | Knock-in drawer dividers |
| Cabinet mounted wall beds | Concealed keyhole assembly fittings |
| Electric lift mechanisms | Storage Bed mechanisms |
| Surface-mounted no-bore concealed hinges | And Many other items now in universal use |

The company was started in 1949 by Sanford Bruckner after his honorable discharge from the U.S. Airforce in World War II. Neil Bruckner, his son, joined him in 1973 and is now President in charge of day-to-day operations. Today, Selby operates from a 110,000 square foot facility in the Bronx, New York.

As part of our effort to support the fight against global warming, our Bronx facility is powered with the help of 120 solar panels installed on our roof. As of the printing of this catalog, the environmental impact has been estimated at the equivalent of one million car miles not driven. We will continue our efforts to help create an environmentally friendly and sustainable energy future.

Selby Furniture Hardware Co., Inc.
Office and Warehouse
321 Rider Avenue, Bronx, NY 10451

Telephone (718) 993 3700
Fax: (718) 993-3143
Toll Free Fax: (800) 224-0059

Email: info@selbyhardware.com
Website: www.selbyhardware.com
www.selbybed.com





Full Extension Slides
Page 24



Specialty Lid Stays
Page 109



Leveling Glides
Page 12



Concealed Hinges
Page 44



Table Hinges
Page 70



Drawer Safe
Page 31



Legs
Page 85



Knock Down Fittings
Page 81

Selby Furniture Hardware Co., Inc.
321 Rider Avenue, Bronx, NY 10451

Telephone: (718) 993-3700
Fax: (718) 993-3143
Email: info@selbyhardware.com
Websites: www.selbyhardware.com
www.selbybed.com

Catalog: 2031
\$5.00